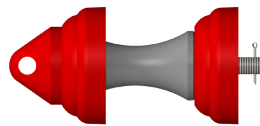
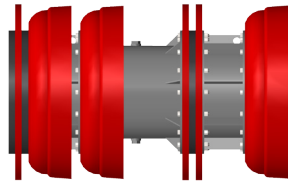
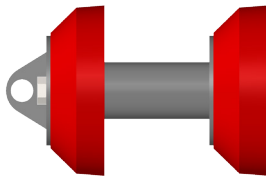
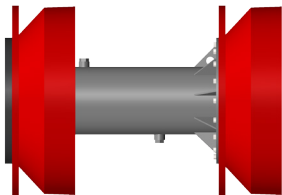


STEEL MANDREL PIGS



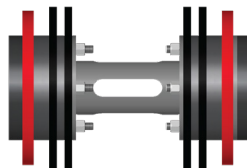
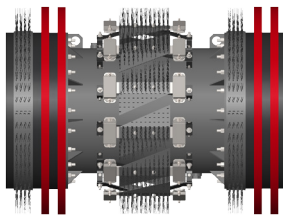
Scraper Cup

Pg. 2-2 to 2-43



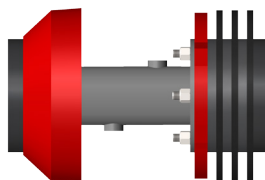
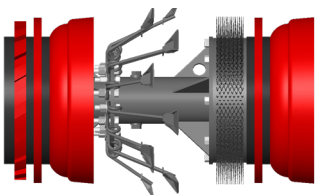
Conical Cup

Pg. 2-44 to 2-59



Bi-Directional

Pg. 2-60 to 2-71



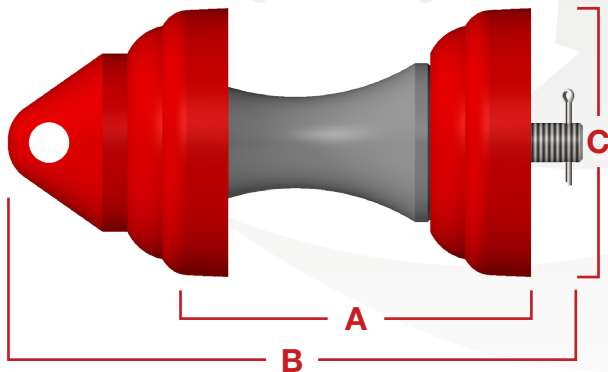
Specialty

Pg. 2-72 to 2-79

UC2

2-4" (51-102mm)

The UC2 is typically used in light cleaning during the construction phase. However, it can be used in all phases of pipeline cleaning. The UC2 is equipped with two Series C cups specifically designed to perform efficiently and reliably.



Size	A	B	C	Part #
2"	3.125	5.375	2.125	70-3802-02
3"	4.500	7.250	3.375	70-3802-03
4"	5.625	8.625	4.375	70-3802-04

Designed to negotiate 1.5D and greater bends.

Features & Benefits:

- Equipped with Series C cups made from Reliathane, Apache's special blend of wear-resistant polyurethane.
- Large wearing surface of the cup promotes longer life while the edge holds firmly against the pipe wall.

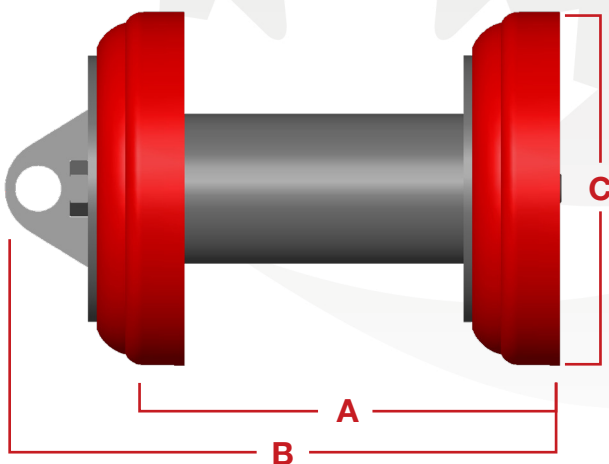
Options Available:

- CARVER discs. See page 5-20 for additional information.
- Aluminum Gauge Plates in standard style. See page 6-4 for additional information.
- Radial Brush available in 3" and 4". See page (pitPRO) 5-24 for additional information.

UC2

6-14" (152-356mm)

The UC2 is typically used in light cleaning during the construction phase. However, it can be used in all phases of pipeline cleaning. The UC2 is equipped with two Series C cups specifically designed to perform efficiently and reliably.



Size	A	B	C	Part #
6"	8.000	11.750	6.375	70-3802-06
8"	10.375	13.625	8.500	70-3802-08
10"	12.875	16.625	10.625	70-3802-10
12"	15.125	19.375	12.750	70-3802-12
14"	17.625	21.875	13.875	70-3802-14

Designed to negotiate 1.5D and greater bends.

Features & Benefits:

- Equipped with Series C cups made from Reliathane, Apache's special blend of wear-resistant polyurethane.
- Large wearing surface of the cup promotes longer life while the edge holds firmly against the pipe wall.

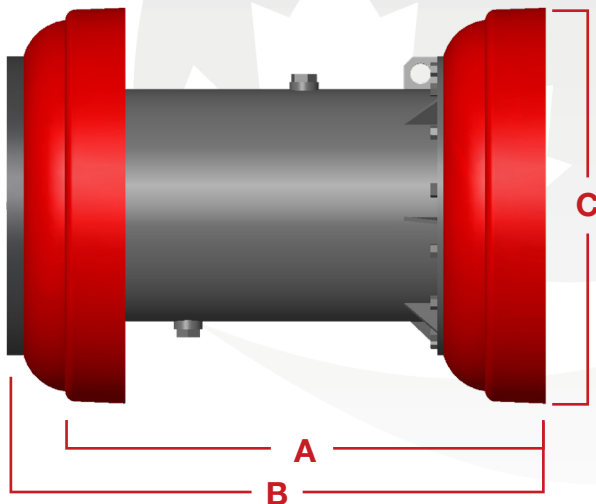
Options Available:

- CARVER discs. See page 5-20 for additional information.
- Aluminum Gauge Plates in standard or slotted styles. See page 6-4 for additional information.
- Radial Brush options available. See page 5-23 for additional information.
- Magnets to collect metallic debris. See page 6-2 for additional information.

UC2

16-48" (406-1219mm)

The UC2 is typically used in light cleaning during the construction phase. However, it can be used in all phases of pipeline cleaning. The UC2 is equipped with two Series C cups specifically designed to perform efficiently and reliably.



Size	A	B	C	Part #
16"	19.000	22.020	16.000	70-3802-16
18"	20.500	23.625	17.875	70-3802-18
20"	22.875	26.375	19.875	70-3802-20
22"	25.125	28.875	21.875	70-3802-22
24"	27.750	31.375	23.875	70-3802-24
26"	29.875	34.000	25.875	70-3802-26
28"	32.250	36.500	28.000	70-3802-28
30"	34.125	38.875	29.875	70-3802-30
32"	36.375	41.000	32.000	70-3802-32
34"	38.625	43.125	34.000	70-3802-34
36"	40.625	45.750	36.000	70-3802-36
42"	47.375	52.750	42.125	70-3802-42
48"	51.500	57.500	47.750	70-3802-48

Designed to negotiate 1.5D and greater bends.

Features & Benefits:

- Equipped with Series C cups made from Reliathane, Apache's special blend of wear-resistant polyurethane.
- Large wearing surface of the cup promotes longer life while the edge holds firmly against the pipe wall.
- Every UC 16" – 48" pig is manufactured with by-pass ports. These ports feature threaded plugs that can be removed.
- Standard bumper noses cushion the pig and help to protect in-line auxiliary equipment.

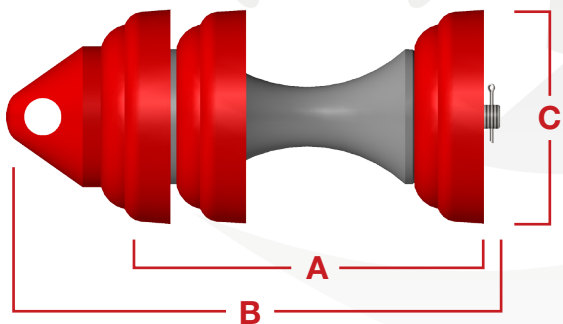
Options Available:

- CARVER discs. See page 5-20 for additional information.
- Aluminum Gauge Plates in standard styles or slotted styles. See page 6-4 for additional information.
- Radial and Block Brush options available. See pages 5-23 to 5-26 for additional information.
- Magnets to collect metallic debris. See page 6-2 for additional information.
- Transmitter Cavity to accommodate electronic tracking equipment. See page 6-5 for additional information.
- Rattlers. See page 6-5 for additional information.

UC3

2-4" (51-102mm)

The UC3 is typically used in light cleaning during the construction phase. However, it can be used in all phases of pipeline cleaning. The UC3 is equipped with three Series C cups specifically designed to perform efficiently and reliably.



Size	A	B	C	Part #
2"	4.000	5.875	2.125	70-3803-02
3"	5.875	8.250	3.375	70-3803-03
4"	7.125	10.125	4.375	70-3803-04

Designed to negotiate 3D and greater bends.

Features & Benefits:

- Equipped with Series C cups made from Reliathane, Apache's special blend of wear-resistant polyurethane.
- Large wearing surface of the cup promotes longer life while the edge holds firmly against the pipe wall.

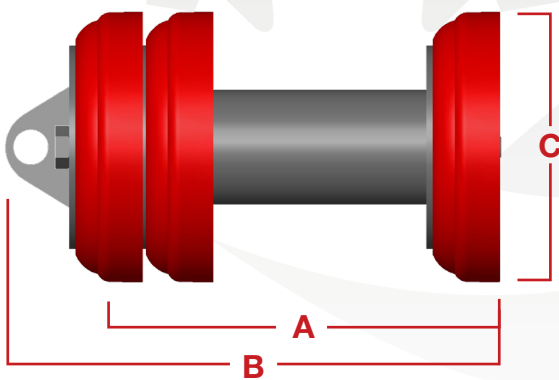
Options Available:

- CARVER discs. See page 5-20 for additional information.
- Aluminum Gauge Plates in standard style. See page 6-4 for additional information.
- Radial Brush available in 3" and 4". See page (pitPRO) 5-24 for additional information.

UC3

6-14" (152-356mm)

The UC3 is typically used in light cleaning during the construction phase. However, it can be used in all phases of pipeline cleaning. The UC3 is equipped with three Series C cups specifically designed to perform efficiently and reliably.



Size	A	B	C	Part #
6"	10.000	13.750	6.375	70-3803-06
8"	12.500	16.250	8.500	70-3803-08
10"	15.625	19.425	10.625	70-3803-10
12"	18.500	22.625	12.750	70-3803-12
14"	21.500	25.750	13.875	70-3803-14

Designed to negotiate 1.5D and greater bends.

Features & Benefits:

- Equipped with Series C cups made from Reliathane, Apache's special blend of wear-resistant polyurethane.
- Large wearing surface of the cup promotes longer life while the edge holds firmly against the pipe wall.

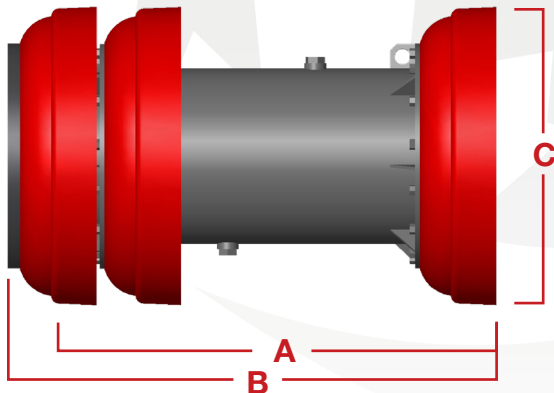
Options Available:

- CARVER discs. See page 5-20 for additional information.
- Aluminum Gauge Plates in standard or slotted styles. See page 6-4 for additional information.
- Radial Brush options available. See page 5-23 for additional information.
- Magnets to collect metallic debris. See page 6-2 for additional information.

UC3

16-48" (406-1219mm)

The UC3 is typically used in light cleaning during the construction phase. However, it can be used in all phases of pipeline cleaning. The UC3 is equipped with three Series C cups specifically designed to perform efficiently and reliably.



Size	A	B	C	Part #
16"	24.250	27.250	16.000	70-3803-16
18"	25.875	29.000	17.875	70-3803-18
20"	28.875	32.375	19.875	70-3803-20
22"	31.625	35.375	21.875	70-3803-22
24"	34.500	38.000	23.875	70-3803-24
26"	37.125	41.375	25.875	70-3803-26
28"	40.000	44.375	28.000	70-3803-28
30"	43.000	47.625	29.875	70-3803-30
32"	45.250	50.000	32.000	70-3803-32
34"	47.500	52.125	34.000	70-3803-34
36"	49.625	54.750	36.000	70-3803-36
42"	57.000	62.375	42.125	70-3803-42
48"	62.250	68.125	47.750	70-3803-48

Designed to negotiate 1.5D and greater bends.

Features & Benefits:

- Equipped with Series C cups made from Reliathane, Apache's special blend of wear-resistant polyurethane.
- Large wearing surface of the cup promotes longer life while the edge holds firmly against the pipe wall.
- Every UC 16" – 48" pig is manufactured with by-pass ports. These ports feature threaded plugs that can be removed.
- Standard bumper noses cushion the pig and help to protect in-line auxiliary equipment.

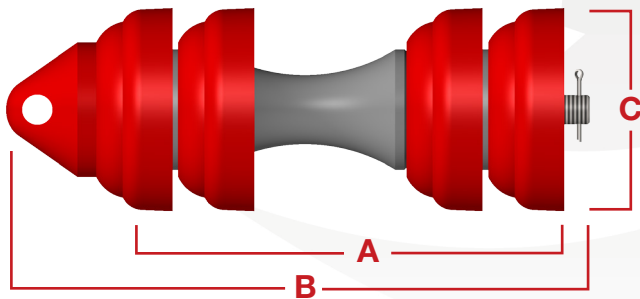
Options Available:

- CARVER discs. See page 5-20 for additional information.
- Aluminum Gauge Plates in standard styles or slotted styles. See page 6-4 for additional information.
- Radial and Block Brush options available. See pages 5-23 to 5-26 for additional information.
- Magnets to collect metallic debris. See page 6-2 for additional information.
- Transmitter Cavity to accommodate electronic tracking equipment. See page 6-5 for additional information.
- Rattlers. See page 6-5 for additional information.

UC4

2-4" (51-102mm)

The UC4 is typically used in light cleaning during the construction phase. However, it can be used in all phases of pipeline cleaning. The UC4 is equipped with four Series C cups specifically designed to perform efficiently and reliably.



Size	A	B	C	Part #
2"	5.000	6.875	2.125	70-3804-02
3"	7.250	9.750	3.375	70-3804-03
4"	8.750	11.625	4.375	70-3804-04

Designed to negotiate 3D and greater bends.

Features & Benefits:

- Equipped with Series C cups made from Reliathane, Apache's special blend of wear-resistant polyurethane.
- Large wearing surface of the cup promotes longer life while the edge holds firmly against the pipe wall.

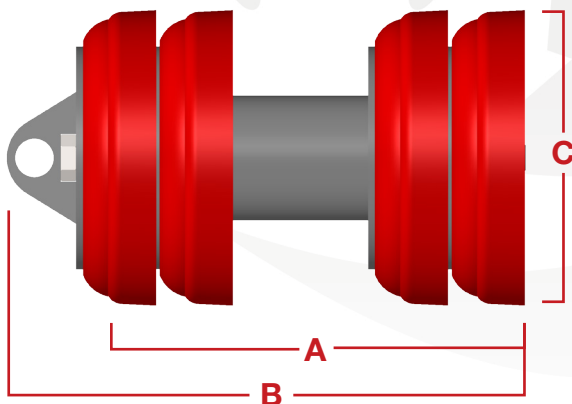
Options Available:

- CARVER discs. See page 5-20 for additional information.
- Aluminum Gauge Plates in standard style. See page 6-4 for additional information.
- Radial Brush available in 3" and 4". See page (pitPRO) 5-24 for additional information.

UC4

6-14" (152-356mm)

The UC4 is typically used in light cleaning during the construction phase. However, it can be used in all phases of pipeline cleaning. The UC4 is equipped with four Series C cups specifically designed to perform efficiently and reliably.



Size	A	B	C	Part #
6"	9.000	12.750	6.375	70-3804-06
8"	12.250	16.250	8.500	70-3804-08
10"	14.875	18.625	10.625	70-3804-10
12"	18.375	22.500	12.750	70-3804-12
14"	21.375	25.625	13.875	70-3804-14

Designed to negotiate 1.5D and greater bends.

Features & Benefits:

- Equipped with Series C cups made from Reliathane, Apache's special blend of wear-resistant polyurethane.
- Large wearing surface of the cup promotes longer life while the edge holds firmly against the pipe wall.

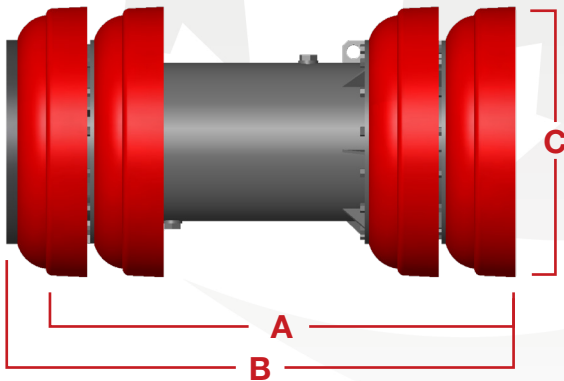
Options Available:

- CARVER discs. See page 5-20 for additional information.
- Aluminum Gauge Plates in standard or slotted styles. See page 6-4 for additional information.
- Radial Brush options available. See page 5-23 for additional information.
- Magnets to collect metallic debris. See page 6-2 for additional information.

UC4

16-48" (406-1219mm)

The UC4 is typically used in light cleaning during the construction phase. However, it can be used in all phases of pipeline cleaning. The UC4 is equipped with four Series C cups specifically designed to perform efficiently and reliably.



Size	A	B	C	Part #
16"	26.500	29.500	16.000	70-3804-16
18"	29.250	31.375	17.875	70-3804-18
20"	33.500	36.875	19.875	70-3804-20
22"	38.125	42.000	21.875	70-3804-22
24"	41.250	45.000	23.875	70-3804-24
26"	44.375	48.625	25.875	70-3804-26
28"	47.875	52.125	28.000	70-3804-28
30"	51.875	56.500	29.875	70-3804-30
32"	54.125	58.875	32.000	70-3804-32
34"	56.500	61.000	34.000	70-3804-34
36"	58.625	63.750	36.000	70-3804-36
42"	66.750	72.125	42.125	70-3804-42
48"	73.000	78.875	47.750	70-3804-48

Designed to negotiate 1.5D and greater bends.

Features & Benefits:

- Equipped with Series C cups made from Reliathane, Apache's special blend of wear-resistant polyurethane.
- Large wearing surface of the cup promotes longer life while the edge holds firmly against the pipe wall.
- Every UC 16" – 48" pig is manufactured with by-pass ports. These ports feature threaded plugs that can be removed.
- Standard bumper noses cushion the pig and help to protect in-line auxiliary equipment.

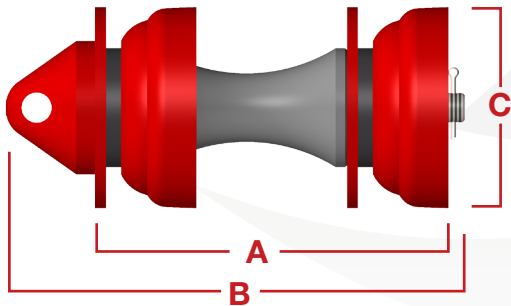
Options Available:

- CARVER discs. See page 5-20 for additional information.
- Aluminum Gauge Plates in standard styles or slotted styles. See page 6-4 for additional information.
- Radial and Block Brush options available. See pages 5-23 to 5-26 for additional information.
- Magnets to collect metallic debris. See page 6-2 for additional information.
- Transmitter Cavity to accommodate electronic tracking equipment. See page 6-5 for additional information.
- Rattlers. See page 6-5 for additional information.

DCD

2-4" (51-102mm)

The DCD is an effective pig for batching and separating. The DCD is equipped with two sealing discs and two Series C cups. These multiple sealing components create a positive seal between dissimilar fluids, while providing a larger sealing surface area.



Size	A	B	C	Part #
2"	4.125	5.875	2.125	70-6830-02
3"	6.000	7.750	3.375	70-6830-03
4"	7.250	9.625	4.375	70-6830-04

Designed to negotiate 1.5D or greater bends.

Features & Benefits:

- Equipped with Series C cups and discs made from Reliathane, Apache's special blend of wear-resistant polyurethane.
- Large wearing surface of the cup promotes longer life while the edge holds firmly against the pipe wall.

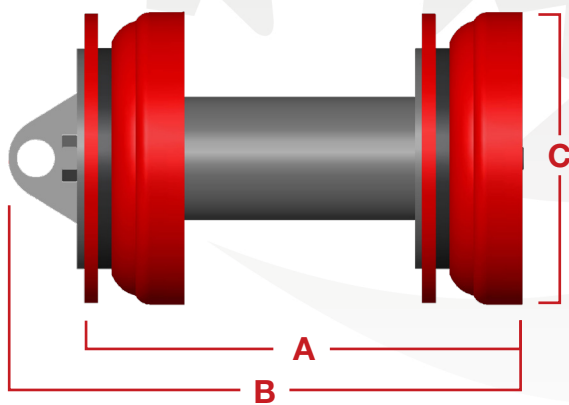
Options Available:

- CARVER discs. See page 5-20 for additional information.
- Aluminum Gauge Plates in standard style. See page 6-4 for additional information.
- Radial Brush available in 3" and 4". See page (pitPRO) 5-24 for additional information.

DCD

6-14" (152-356mm)

The DCD is an effective pig for batching and separating. The DCD is equipped with two sealing discs and two Series C cups. These multiple sealing components create a positive seal between dissimilar fluids, while providing a larger sealing surface area.



Size	A	B	C	Part #
6"	9.375	12.250	6.375	70-6830-06
8"	13.375	16.250	8.500	70-6830-08
10"	15.875	19.000	10.625	70-6830-10
12"	19.125	21.875	12.750	70-6830-12
14"	19.625	22.375	13.875	70-6830-14

Designed to negotiate 1.5D or greater bends.

Features & Benefits:

- Equipped with Series C cups and discs made from Reliathane, Apache's special blend of wear-resistant polyurethane.
- Large wearing surface of the cup promotes longer life while the edge holds firmly against the pipe wall.

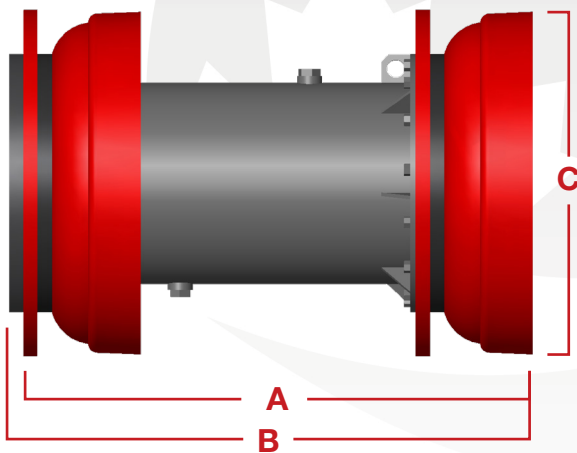
Options Available:

- CARVER discs. See page 5-20 for additional information.
- Aluminum Gauge Plates in standard or slotted styles. See page 6-4 for additional information.
- Radial Brush options available. See page 5-23 for additional information.
- Magnets to collect metallic debris. See page 6-2 for additional information.

DCD

16-48" (406-1219mm)

The DCD is an effective pig for batching and separating. The DCD is equipped with two sealing discs and two Series C cups. These multiple sealing components create a positive seal between dissimilar fluids, while providing a larger sealing surface area.



Size	A	B	C	Part #
16"	24.000	25.000	16.000	70-6830-16
18"	25.625	26.625	17.875	70-6830-18
20"	28.875	29.875	19.875	70-6830-20
22"	31.375	32.375	21.875	70-6830-22
24"	34.375	35.375	23.875	70-6830-24
26"	37.000	38.000	25.875	70-6830-26
28"	39.875	41.000	28.000	70-6830-28
30"	42.250	43.375	29.875	70-6830-30
32"	44.750	46.000	32.000	70-6830-32
34"	46.875	48.125	34.000	70-6830-34
36"	49.875	51.250	36.000	70-6830-36
42"	57.250	58.750	42.125	70-6830-42
48"	62.750	64.500	47.750	70-3804-48

Features & Benefits:

- Equipped with Series C cups and discs made from Reliathane, Apache's special blend of wear-resistant polyurethane.
- Large wearing surface of the cup promotes longer life while the edge holds firmly against the pipe walls.
- Every DCD 16" – 48" pig is manufactured with by-pass ports. These ports feature threaded plugs that can be removed.
- Standard bumper noses cushion the pig and help to protect in-line auxiliary equipment.

Designed to negotiate 1.5D or greater bends.

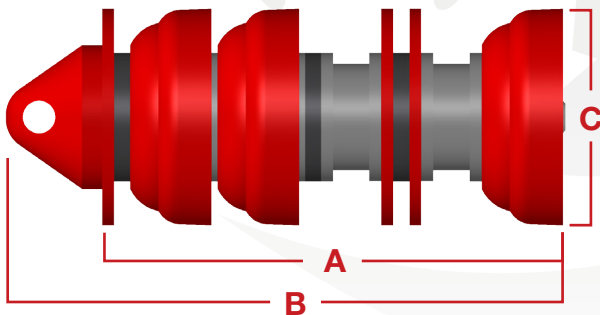
Options Available:

- CARVER discs. See page 5-20 for additional information.
- Aluminum Gauge Plates in standard styles or slotted styles. See page 6-4 for additional information.
- Radial and Block Brush options available. See pages 5-23 to 5-26 for additional information.
- Magnets to collect metallic debris. See page 6-2 for additional information.
- Transmitter Cavity to accommodate electronic tracking equipment. See page 6-5 for additional information.
- Rattlers. See page 6-5 for additional information.

XF

3-4" (76-102mm)

The XF is primarily used for batching dissimilar fluid. With its standard three cup – three sealing disc design, the XF pig provides a positive seal between fluids for efficient batching and separating. It is typically used for longer distance operations.



Size	A	B	C	Part #
3"	7.125	8.750	3.375	70-6786-03
4"	8.125	10.625	4.375	70-6786-04

Designed to negotiate 3D or greater bends.

Features & Benefits:

- Equipped with Series C cups and discs made from Reliathane, Apache's special blend of wear-resistant polyurethane.
- Large wearing surface of the cup promotes longer life while the edge holds firmly against the pipe wall.

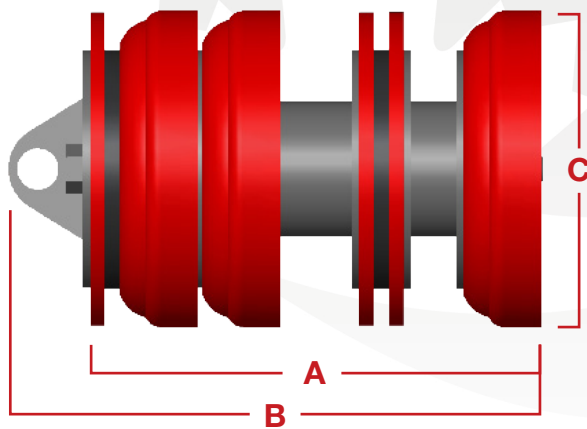
Options Available:

- CARVER discs. See page 5-20 for additional information.
- Aluminum Gauge Plates in standard style. See page 6-4 for additional information.
- Radial Brush available. See page (pitPRO) 5-24 for additional information.

XF

6-14" (152-356mm)

The XF is primarily used for batching dissimilar fluid. With its standard three cup – three sealing disc design, the XF pig provides a positive seal between fluids for efficient batching and separating. It is typically used for longer distance operations.



Size	A	B	C	Part #
6"	10.250	12.500	6.375	70-6786-06
8"	11.500	13.875	8.500	70-6786-08
10"	15.125	18.000	10.625	70-6786-10
12"	18.000	20.875	12.750	70-6786-12
14"	20.625	23.375	13.875	70-6786-14

Designed to negotiate 3D or greater bends.

Features & Benefits:

- Equipped with Series C cups and discs made from Reliathane, Apache's special blend of wear-resistant polyurethane.
- Large wearing surface of the cup promotes longer life while the edge holds firmly against the pipe wall.

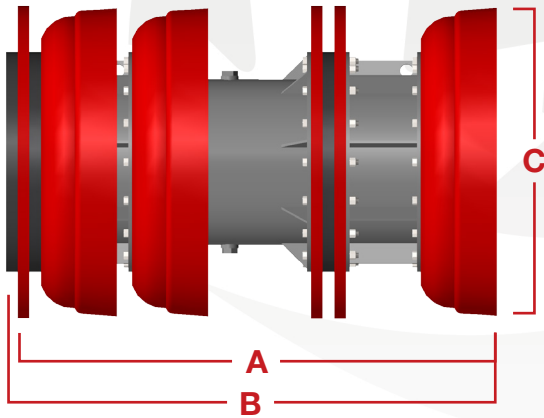
Options Available:

- CARVER discs. See page 5-20 for additional information.
- Aluminum Gauge Plates in standard or slotted styles. See page 6-4 for additional information.
- Radial Brush options available. See page 5-23 for additional information.
- Magnets to collect metallic debris. See page 6-2 for additional information.

XF

16-48" (406-1219mm)

The XF is primarily used for batching dissimilar fluid. With its standard three cup – three sealing disc design, the XF pig provides a positive seal between fluids for efficient batching and separating. It is typically used for longer distance operations.



Size	A	B	C	Part #
16"	24.300	25.300	16.000	70-6786-16
18"	27.528	28.528	17.875	70-6786-18
20"	30.015	31.015	19.875	70-6786-20
22"	31.525	32.525	21.875	70-6786-22
24"	35.454	36.454	23.875	70-6786-24
26"	36.119	37.119	25.875	70-6786-26
28"	44.075	45.200	28.000	70-6786-28
30"	46.406	47.531	29.875	70-6786-30
32"	54.190	55.440	32.000	70-6786-32
34"	54.360	55.610	34.000	70-6786-34
36"	56.514	57.889	36.000	70-6786-36
42"	62.170	63.670	42.190	70-6786-42
48"	71.934	73.684	47.750	70-6786-48

Designed to negotiate 3D or greater bends.

Features & Benefits:

- Equipped with Series C cups and discs made from Reliathane, Apache's special blend of wear-resistant polyurethane.
- Large wearing surface of the cup promotes longer life while the edge holds firmly against the pipe wall.
- Every XF 16" – 48" pig is manufactured with by-pass ports. These ports feature threaded plugs that can be removed.
- Standard bumper noses cushion the pig and help to protect in-line auxiliary equipment.

Options Available:

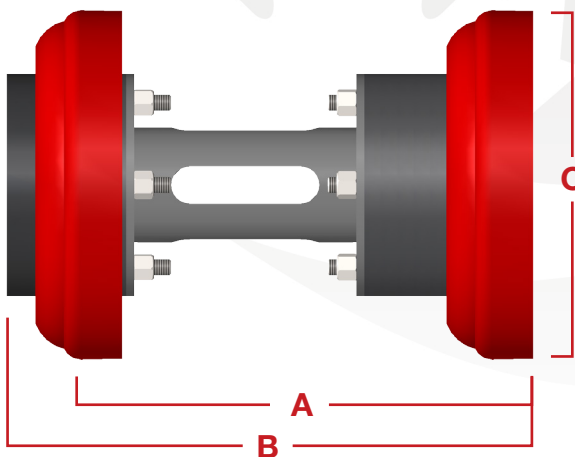
- CARVER discs. See page 5-20 for additional information.
- Aluminum Gauge Plates in standard styles or slotted styles. See page 6-4 for additional information.
- Radial and Block Brush options available. See pages 5-23 to 5-26 for additional information.
- Magnets to collect metallic debris. See page 6-2 for additional information.
- Transmitter Cavity to accommodate electronic tracking equipment. See page 6-5 for additional information.
- Rattlers. See page 6-5 for additional information.

UT-UC2

6-14" (152-356mm)

The UT mandrel was designed to house a transmitter located in the center of the slotted universal mandrel. It can also accommodate virtually any configuration of cup, disc and brush. This allows the pig to clean and batch many dissimilar fluids.

The UT-UC2 is typically used in light cleaning during the construction phase. However, it can be used in all phases of pipeline cleaning. The UT-UC2 is equipped with two Series C cups specifically designed to perform efficiently and reliably.



Size	A	B	C	Part #
6"	9.880	11.440	6.375	70-3812-06
8"	12.260	14.030	8.500	70-3812-08
10"	14.110	16.020	10.625	70-3812-10
12"	17.280	19.570	12.750	70-3812-12
14"	19.920	22.570	13.880	70-3812-14

Designed to negotiate 1.5D or greater bends.

Features & Benefits:

- Equipped with Series C cups made from Reliathane, Apache's special blend of wear-resistant polyurethane.
- Large wearing surface of the cup promotes longer life while the edge holds firmly against the pipe wall.
- Standard bumper noses cushion the pig and help to protect in-line auxiliary equipment.

Options Available:

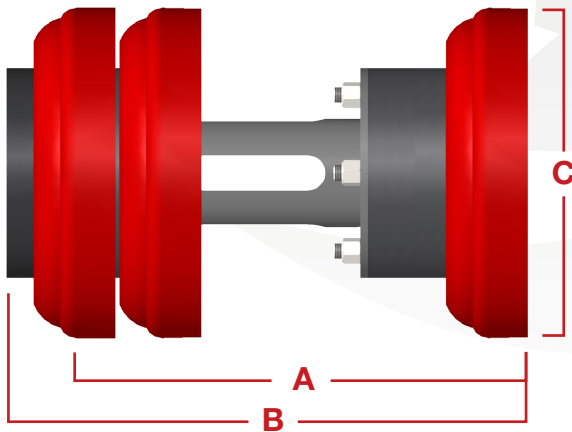
- CARVER discs. See page 5-20 for additional information.
- Aluminum Gauge Plates in standard or slotted styles. See page 6-4 for additional information.
- Radial Brush options available. See page 5-23 for additional information.
- Magnets to collect metallic debris. See page 6-2 for additional information.

UT-UC3

6-14" (152-356mm)

The UT mandrel was designed to house a transmitter located in the center of the slotted universal mandrel. It can also accommodate virtually any configuration of cup, disc and brush. This allows the pig to clean and batch many dissimilar fluids.

The UT-UC3 is typically used in light cleaning during the construction phase. However, it can be used in all phases of pipeline cleaning. The UT-UC3 is equipped with three Series C cups specifically designed to perform efficiently and reliably.



Size	A	B	C	Part #
6"	10.410	11.970	6.375	70-3813-06
8"	12.920	14.690	8.500	70-3813-08
10"	14.870	16.790	10.625	70-3813-10
12"	18.150	20.440	12.750	70-3813-12
14"	21.440	21.370	13.880	70-3813-14

Designed to negotiate 1.5D or greater bends.

Features & Benefits:

- Equipped with Series C cups made from Reliathane, Apache's special blend of wear-resistant polyurethane.
- Large wearing surface of the cup promotes longer life while the edge holds firmly against the pipe wall.
- Standard bumper noses cushion the pig and help to protect in-line auxiliary equipment.

Options Available:

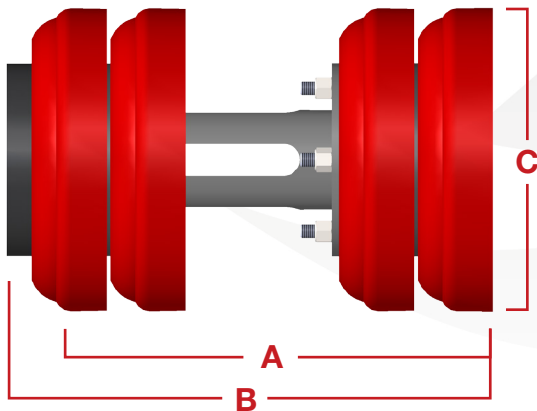
- CARVER discs. See page 5-20 for additional information.
- Aluminum Gauge Plates in standard or slotted styles. See page 6-4 for additional information.
- Radial Brush options available. See page 5-23 for additional information.
- Magnets to collect metallic debris. See page 6-2 for additional information.

UT-UC4

6-14" (152-356mm)

The UT mandrel was designed to house a transmitter located in the center of the slotted universal mandrel. It can also accommodate virtually any configuration of cup, disc and brush. This allows the pig to clean and batch many dissimilar fluids.

The UT-UC4 is typically used in light cleaning during the construction phase. However, it can be used in all phases of pipeline cleaning. The UT-UC4 is equipped with four Series C cups specifically designed to perform efficiently and reliably.



Size	A	B	C	Part #
6"	10.568	12.120	6.375	70-3814-06
8"	13.084	14.851	8.500	70-3814-08
10"	15.132	17.060	10.625	70-3814-10
12"	18.387	20.678	12.750	70-3814-12
14"	22.342	24.990	13.880	70-3814-14

Designed to negotiate 1.5D or greater bends.

Features & Benefits:

- Equipped with Series C cups and discs made from Reliathane, Apache's special blend of wear-resistant polyurethane.
- Large wearing surface of the cup promotes longer life while the edge holds firmly against the pipe wall.
- Standard bumper noses cushion the pig and help to protect in-line auxiliary equipment.

Options Available:

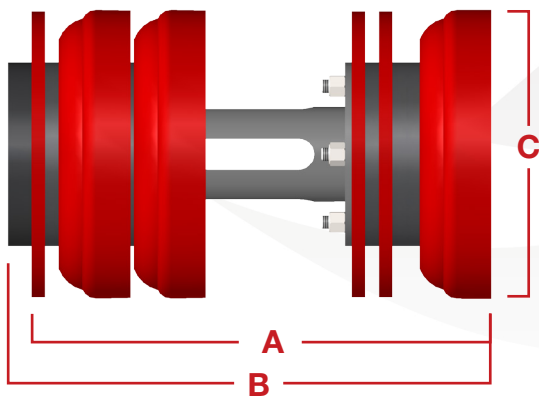
- CARVER discs. See page 5-20 for additional information.
- Aluminum Gauge Plates in standard or slotted styles. See page 6-4 for additional information.
- Radial Brush options available. See page 5-23 for additional information.
- Magnets to collect metallic debris. See page 6-2 for additional information.

UT-XF

6-14" (152-356mm)

The UT mandrel was designed to house a transmitter located in the center of the slotted universal mandrel. It can also accommodate virtually any configuration of cup, disc and brush. This allows the pig to clean and batch many dissimilar fluids.

The UT-XF is primarily used for batching dissimilar fluid. With its standard three cup – three sealing disc design, the UT-XF pig provides a positive seal between fluids for efficient batching and separating. It is typically used for longer distance operations.



Size	A	B	C	Part #
6"	11.970	12.720	6.375	70-6796-06
8"	14.940	15.690	8.500	70-6796-08
10"	16.910	17.790	10.625	70-6796-10
12"	20.810	21.690	12.750	70-6796-12
14"	24.465	25.340	13.875	70-6796-14

Designed to negotiate 3D or greater bends.

Features & Benefits:

- Equipped with Series C cups and discs made from Reliathane, Apache's special blend of wear-resistant polyurethane.
- Large wearing surface of the cup promotes longer life while the edge holds firmly against the pipe wall.
- Standard bumper noses cushion the pig and help to protect in-line auxiliary equipment.

Options Available:

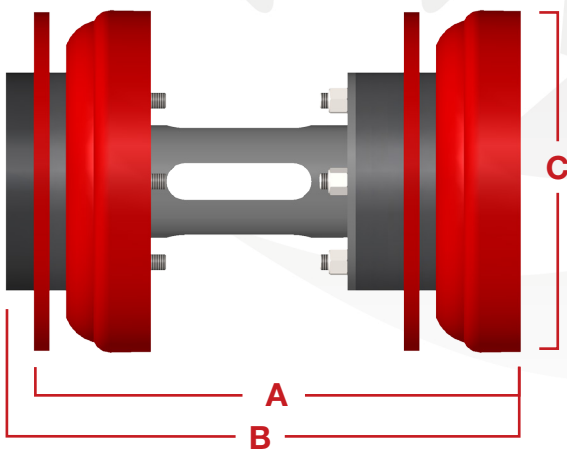
- CARVER discs. See page 5-20 for additional information.
- Aluminum Gauge Plates in standard or slotted styles. See page 6-4 for additional information.
- Radial Brush options available. See page 5-23 for additional information.
- Magnets to collect metallic debris. See page 6-2 for additional information.

UT-DCD

6-14" (152-356mm)

The UT mandrel was designed to house a transmitter located in the center of the slotted universal mandrel. It can also accommodate virtually any configuration of cup, disc and brush. This allows the pig to clean and batch many dissimilar fluids.

The UT-DCD is an effective pig for batching and separating. The UT-DCD is equipped with two sealing discs and two Series C cups. These multiple sealing components create a positive seal between dissimilar fluids, while providing a larger sealing surface area.



Size	A	B	C	Part #
6"	10.690	11.440	6.375	70-6840-06
8"	13.280	14.030	8.500	70-6840-08
10"	15.150	16.020	10.625	70-6840-10
12"	18.700	19.570	12.750	70-6840-12
14"	21.690	22.570	13.880	70-6840-14

Designed to negotiate 1.5D or greater bends.

Features & Benefits:

- Equipped with Series C cups and discs made from Reliathane, Apache's special blend of wear-resistant polyurethane.
- Large wearing surface of the cup promotes longer life while the edge holds firmly against the pipe wall.
- Standard bumper noses cushion the pig and help to protect in-line auxiliary equipment.

Options Available:

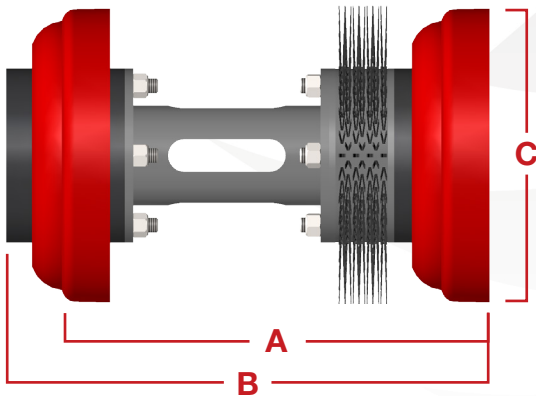
- CARVER discs. See page 5-20 for additional information.
- Aluminum Gauge Plates in standard or slotted styles. See page 6-4 for additional information.
- Radial Brush options available. See page 5-23 for additional information.
- Magnets to collect metallic debris. See page 6-2 for additional information.

UTR-SC2R

6-14" (152-356mm)

The UT mandrel was designed to house a transmitter located in the center of the slotted universal mandrel. It can also accommodate virtually any configuration of cup, disc and brush. This allows the pig to clean and batch many dissimilar fluids.

Apache developed the UTR-SC2R to give smaller gathering lines a moderate cleaning. The UTR-SC2R pig is equipped with a brush and two Series C cups. Brush options vary between sizes of pig. The UTR-SC2R was designed to negotiate sharp bends to make it an efficient cleaning tool.



Size	A	B	C	Part #
6"	9.760	11.310	6.375	60-3078-06
8"	12.140	13.900	8.500	60-3078-08
10"	14.480	16.400	10.625	60-3078-10
12"	18.030	20.320	12.750	60-3078-12
14"	20.670	22.310	13.875	60-3078-14

Designed to negotiate 1.5D or greater bends.

Features & Benefits:

- Equipped with Series C cups made from Reliathane, Apache's special blend of wear-resistant polyurethane.
- Large wearing surface of the cup promotes longer life while the edge holds firmly against the pipe wall.
- Standard bumper noses cushion the pig and help to protect in-line auxiliary equipment.

Options Available:

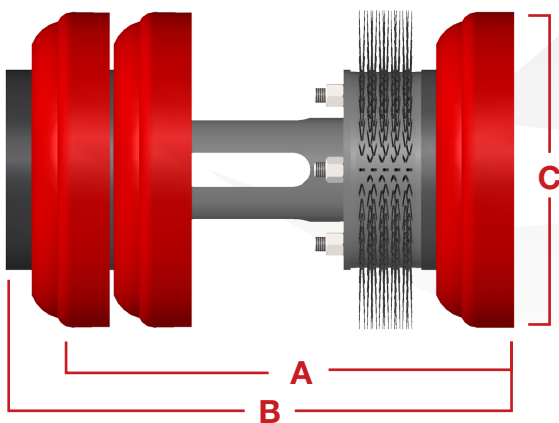
- CARVER discs. See page 5-20 for additional information.
- Aluminum Gauge Plates in standard or slotted styles. See page 6-4 for additional information.
- Radial Brush options available. See page 5-23 for additional information.
- Magnets to collect metallic debris. See page 6-2 for additional information.

UTR-SC3R

6-14" (152-356mm)

The UT mandrel was designed to house a transmitter located in the center of the slotted universal mandrel. It can also accommodate virtually any configuration of cup, disc and brush. This allows the pig to clean and batch many dissimilar fluids.

Apache developed the UTR-SC3R to give smaller gathering lines a moderate cleaning. The UTR-SC3R pigs can be equipped with a brush and three Series C cups. Brush options vary between sizes of pig. The UTR-SC3R was designed to negotiate sharp bends to make it an efficient cleaning tool.



Size	A	B	C	Part #
6"	10.290	11.840	6.375	60-3079-06
8"	12.800	14.560	8.500	60-3079-08
10"	15.240	17.160	10.625	60-3079-10
12"	18.900	21.190	12.750	60-3079-12
14"	22.190	24.840	13.875	60-3079-14

Designed to negotiate 3D or greater bends.

Features & Benefits:

- Equipped with Series C cups made from Reliathane, Apache's special blend of wear-resistant polyurethane.
- Large wearing surface of the cup promotes longer life while the edge holds firmly against the pipe wall.
- Standard bumper noses cushion the pig and help to protect in-line auxiliary equipment.

Options Available:

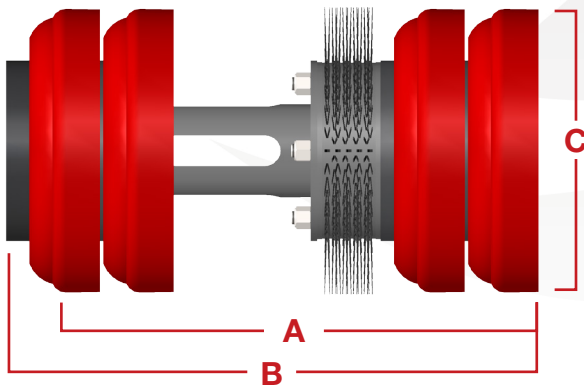
- CARVER discs. See page 5-20 for additional information.
- Aluminum Gauge Plates in standard or slotted styles. See page 6-4 for additional information.
- Radial Brush options available. See page 5-23 for additional information.
- Magnets to collect metallic debris. See page 6-2 for additional information.

UTR-SC4R

6-14" (152-356mm)

The UT mandrel was designed to house a transmitter located in the center of the slotted universal mandrel. It can also accommodate virtually any configuration of cup, disc and brush. This allows the pig to clean and batch many dissimilar fluids.

Apache developed the UTR-SC4R to give smaller gathering lines a moderate cleaning. The UTR-SC4R pigs are equipped with a brush and four Series C cups. Brush options vary between sizes of pig. The UTR-SC4R was designed to negotiate sharp bends to make it an efficient cleaning tool.



Size	A	B	C	Part #
6"	12.375	13.875	6.375	60-3080-06
8"	15.500	17.250	8.500	60-3080-08
10"	18.000	20.000	10.625	60-3080-10
12"	22.250	24.500	12.750	60-3080-12
14"	26.250	28.875	13.875	60-3080-14

Designed to negotiate 3D or greater bends.

Features & Benefits:

- Equipped with Series C cups made from Reliathane, Apache's special blend of wear-resistant polyurethane.
- Large wearing surface of the cup promotes longer life while the edge holds firmly against the pipe wall.
- Standard bumper noses cushion the pig and help to protect in-line auxiliary equipment.

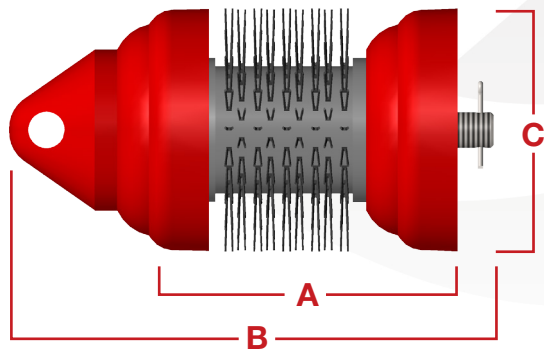
Options Available:

- CARVER discs. See page 5-20 for additional information.
- Aluminum Gauge Plates in standard or slotted styles. See page 6-4 for additional information.
- Radial Brush options available. See page 5-23 for additional information.
- Magnets to collect metallic debris. See page 6-2 for additional information.

SC2R

3-4" (76-102mm)

Apache developed the SC2R to give smaller gathering lines a moderate cleaning. The SC2R pigs are equipped with a brush and two Series C cups. Brush options vary between sizes of pig. The SC2R was designed to negotiate sharp bends to make it an efficient cleaning tool.



Size	A	B	C	Part #
3"	4.00	6.750	3.375	60-3075-03
4"	5.125	8.125	4.375	60-3075-04

Designed to negotiate 1.5D or greater bends.

Features & Benefits:

- Equipped with Series C cups made from Reliathane, Apache's special blend of wear-resistant polyurethane.
- Large wearing surface of the cup promotes longer life while the edge holds firmly against the pipe wall.
- Equipped with pitPRO™ steel brush.

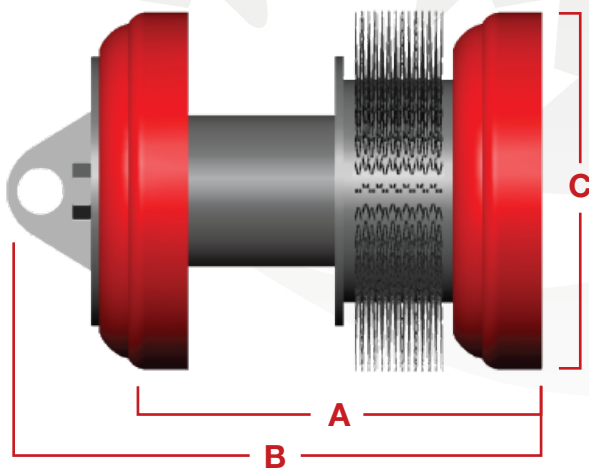
Options Available:

- Aluminum Mandrel.
- Aluminum Gauge Plates in standard or slotted styles. See page 6-4 for additional information.

SC2R

6-14" (152-356mm)

Apache developed the SC2R to give smaller gathering lines a moderate cleaning. The SC2R pigs are equipped with a brush and two Series C cups. Brush options vary between sizes of pig. The SC2R was designed to negotiate sharp bends to make it an efficient cleaning tool.



Size	A	B	C	Part #
6"	8.380	12.210	6.380	60-3075-06
8"	9.760	14.210	8.500	60-3075-08
10"	11.720	16.710	10.630	60-3075-10
12"	14.860	18.960	12.750	60-3075-12
14"	16.830	21.130	13.880	60-3075-14

Designed to negotiate 1.5D or greater bends.

Features & Benefits:

- Equipped with Series C cups made from Reliathane, Apache's special blend of wear-resistant polyurethane.
- Large wearing surface of the cup promotes longer life while the edge holds firmly against the pipe wall.
- Equipped with radial brush or other circular brushes.

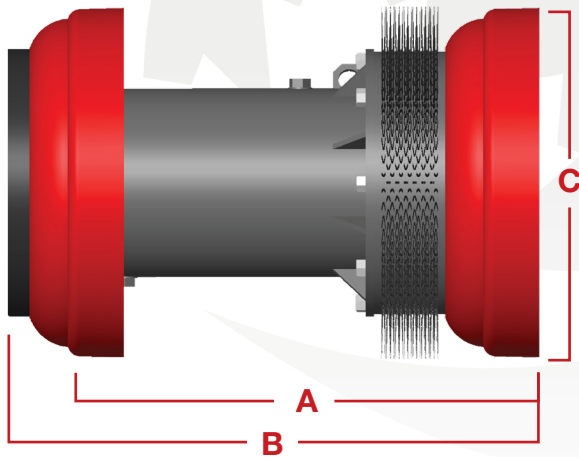
Options Available:

- CARVER discs. See page 5-20 for additional information.
- Aluminum Gauge Plates in standard or slotted styles. See page 6-4 for additional information.
- Radial Brush options available. See page 5-23 for additional information.
- Magnets to collect metallic debris. See page 6-2 for additional information.

SC2R

16-48" (406-1219mm)

Apache developed the SC2R to give smaller gathering lines a moderate cleaning. The SC2R pigs are equipped with a brush and two Series C cups. Brush options vary between sizes of pig. The SC2R was designed to negotiate sharp bends to make it an efficient cleaning tool.



Size	A	B	C	Part #
16"	19.302	22.265	16.000	60-3075-16
18"	23.713	26.895	17.875	60-3075-18
20"	26.161	29.617	19.875	60-3075-20
22"	28.338	21.100	21.875	60-3075-22
24"	30.964	34.678	23.875	60-3075-24
26"	33.124	37.343	25.875	60-3075-26
28"	35.471	39.815	28.000	60-3075-28
30"	37.431	42.079	29.875	60-3075-30
32"	39.620	44.310	32.000	60-3075-32
34"	41.860	46.430	34.000	60-3075-34
36"	43.871	48.987	36.000	60-3075-36
42"	50.636	55.985	42.188	60-3075-42
48"	56.531	62.467	47.750	60-3075-48

Features & Benefits:

- Equipped with Series C cups. Made from Reliathane, Apache's special blend of wear-resistant polyurethane.
- Large wearing surface of the cup promotes longer life while the edge holds firmly against the pipe wall.
- Equipped with pitPRO™ steel brush.
- Every SC2R 16" – 48" pig is manufactured with by-pass ports. These ports feature threaded plugs that can be removed.
- Standard bumper noses cushion the pig and help to protect in-line auxiliary equipment.

Designed to negotiate 1.5D or greater bends.

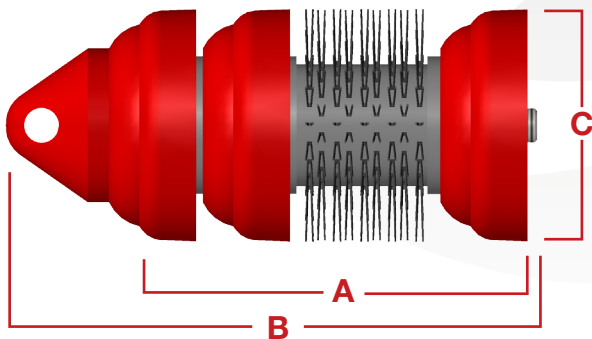
Options Available:

- CARVER discs. See page 5-20 for additional information.
- Aluminum Gauge Plates in standard styles or slotted styles. See page 6-4 for additional information.
- Radial and Block Brush options available. See pages 5-23 to 5-26 for additional information.
- Magnets to collect metallic debris. See page 6-2 for additional information.
- Transmitter Cavity to accommodate electronic tracking equipment. See page 6-5 for additional information.
- Rattlers. See page 6-5 for additional information.

SC3R

3-4" (76-102mm)

Apache developed the SC3R to give smaller gathering lines a moderate cleaning. The SC3R pigs are equipped with a brush and three Series C cups. Brush options vary between sizes of pig. The SC3R was designed to negotiate sharp bends to make it an efficient cleaning tool.



Size	A	B	C	Part #
3"	5.375	7.750	3.375	60-3076-03
4"	6.750	9.625	4.375	60-3076-04

Designed to negotiate 3D or greater bends.

Features & Benefits:

- Equipped with Series C cups made from Reliathane, Apache's special blend of wear-resistant polyurethane.
- Large wearing surface of the cup promotes longer life while the edge holds firmly against the pipe wall.
- Equipped with pitPRO™ steel brush.

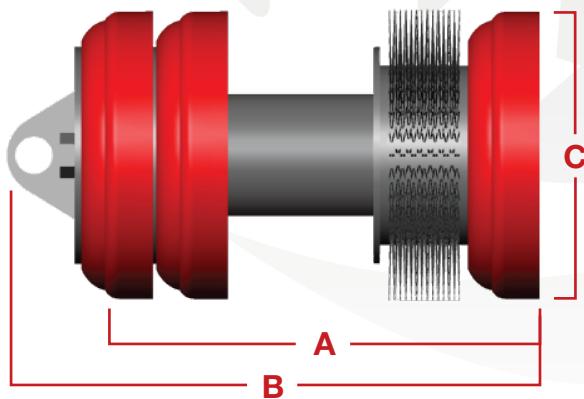
Options Available:

- Aluminum Mandrel.
- Aluminum Gauge Plates in standard styles. See page 6-4 for additional information.

SC3R

6-14" (152-356mm)

Apache developed the SC3R to give smaller gathering lines a moderate cleaning. The SC3R pigs are equipped with a brush and three Series C cups. Brush options vary between sizes of pig. The SC3R was designed to negotiate sharp bends to make it an efficient cleaning tool.



Size	A	B	C	Part #
6"	7.913	11.705	6.375	60-3076-06
8"	11.797	15.205	8.500	60-3076-08
10"	12.981	16.955	10.625	60-3076-10
12"	15.729	19.940	12.750	60-3076-12
14"	17.722	20.974	13.875	60-3076-14

Designed to negotiate 3D or greater bends.

Features & Benefits:

- Equipped with Series C cups. Made from Reliathane, Apache's special blend of wear-resistant polyurethane.
- Large wearing surface of the cup promotes longer life while the edge holds firmly against the pipe wall.
- Equipped with radial brush or other circular brushes.

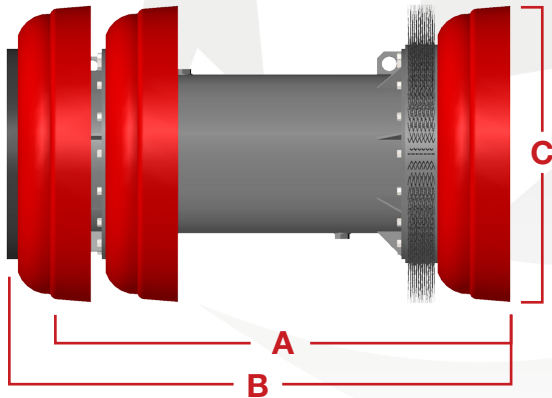
Options Available:

- CARVER discs. See page 5-20 for additional information.
- Aluminum Gauge Plates in standard or slotted styles. See page 6-4 for additional information.
- Radial Brush options available. See page 5-23 for additional information.
- Magnets to collect metallic debris. See page 6-2 for additional information.

SC3R

16-48" (406-1219mm)

Apache developed the SC3R to give smaller gathering lines a moderate cleaning. The SC3R pigs are equipped with a brush and three Series C cups. Brush options vary between sizes of pig. The SC3R was designed to negotiate sharp bends to make it an efficient cleaning tool.



Size	A	B	C	Part #
16"	27.555	30.518	16.000	60-3083-16
18"	29.096	32.278	17.875	60-3083-18
20"	32.184	35.640	19.880	60-3083-20
22"	34.888	38.650	21.875	60-3083-22
24"	37.740	41.454	23.875	60-3083-24
26"	40.400	44.619	25.875	60-3083-26
28"	43.321	47.575	28.000	60-3083-28
30"	46.258	50.906	29.875	60-3083-30
32"	48.500	53.190	32.000	60-3083-32
34"	50.790	55.360	34.000	60-3083-34
36"	52.898	58.014	36.000	60-3083-36
42"	60.320	65.669	42.188	60-3083-42
48"	65.498	71.434	47.750	60-3083-48

Designed to negotiate 3D or greater bends.

Features & Benefits:

- Equipped with Series C cups made from Reliathane, Apache's special blend of wear-resistant polyurethane.
- Large wearing surface of the cup promotes longer life while the edge holds firmly against the pipe wall.
- Equipped with Radial Brush.
- Every SC3R 16" – 48" pig is manufactured with by-pass ports. These ports feature threaded plugs that can be removed.
- Standard bumper noses cushion the pig and help to protect in-line auxiliary equipment.

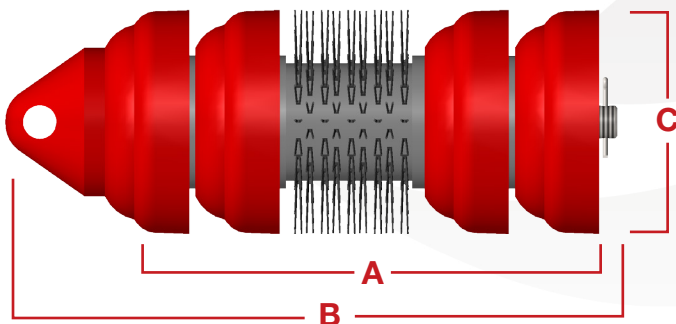
Options Available:

- CARVER discs. See page 5-20 for additional information.
- Aluminum Gauge Plates in standard styles or slotted styles. See page 6-4 for additional information.
- Radial and Block Brush options available. See pages 5-23 to 5-26 for additional information.
- Magnets to collect metallic debris. See page 6-2 for additional information.
- Transmitter Cavity to accommodate electronic tracking equipment. See page 6-5 for additional information.
- Rattlers. See page 6-5 for additional information.

SC4R

3-4" (76-102mm)

Apache developed the SC4R to give smaller gathering lines a moderate cleaning. The SC4R pigs are equipped with a brush and four Series C cups. Brush options vary between sizes of pig. The SC4R was designed to negotiate sharp bends to make it an efficient cleaning tool.



Size	A	B	C	Part #
3"	6.625	9.250	3.375	60-3077-03
4"	8.250	11.125	4.375	60-3077-04

Designed to negotiate 3D or greater bends.

Features & Benefits:

- Equipped with Series C cups made from Reliathane, Apache's special blend of wear-resistant polyurethane.
- Large wearing surface of the cup promotes longer life while the edge holds firmly against the pipe wall.
- Equipped with pitPRO™ steel brush.

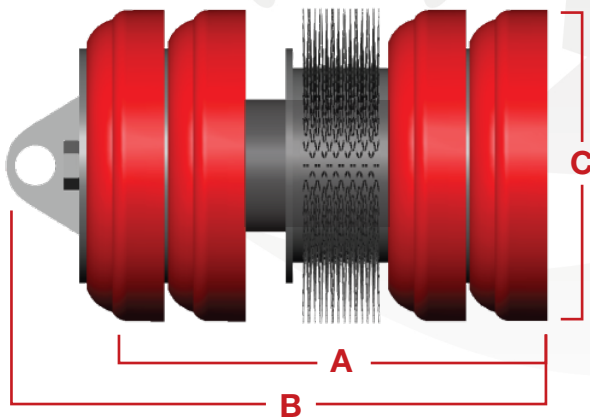
Options Available:

- Aluminum Mandrel.
- Aluminum Gauge Plates in standard style. See page 6-4 for additional information.

SC4R

6-14" (152-356mm)

Apache developed the SC4R to give smaller gathering lines a moderate cleaning. The SC4R pigs are equipped with a brush and four Series C cups. Brush options vary between sizes of pig. The SC4R was designed to negotiate sharp bends to make it an efficient cleaning tool.



Size	A	B	C	Part #
6"	8.750	12.000	6.375	60-3077-06
8"	10.875	14.375	8.500	60-3077-08
10"	13.875	18.000	10.625	60-3077-10
12"	16.875	21.375	12.750	60-3077-12
14"	18.375	23.000	13.875	60-3077-14

Designed to negotiate 3D or greater bends.

Features & Benefits:

- Equipped with Series C cups made from Reliathane, Apache's special blend of wear-resistant polyurethane.
- Large wearing surface of the cup promotes longer life while the edge holds firmly against the pipe wall.
- Equipped with radial brush or other circular brushes.

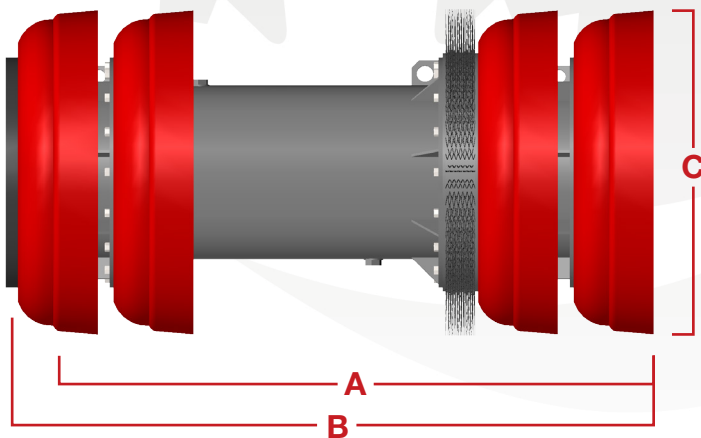
Options Available:

- CARVER discs. See page 5-20 for additional information.
- Aluminum Gauge Plates in standard or slotted styles. See page 6-4 for additional information.
- Radial Brush options available. See page 5-23 for additional information.
- Magnets to collect metallic debris. See page 6-2 for additional information.

SC4R

16-48" (406-1219mm)

Apache developed the SC4R to give smaller gathering lines a moderate cleaning. The SC4R are equipped with a brush and four Series C cups. Brush options vary between sizes of pig. The SC4R was designed to negotiate sharp bends to make it an efficient cleaning tool.



Size	A	B	C	Part #
16"	32.808	35.771	16.000	60-3077-16
18"	34.479	37.661	17.875	60-3077-18
20"	38.207	41.663	19.875	60-3077-20
22"	41.438	45.200	21.875	60-3077-22
24"	44.516	48.230	23.875	60-3077-24
26"	47.676	51.895	25.875	60-3077-26
28"	51.171	55.425	28.000	60-3077-28
30"	55.085	59.733	29.875	60-3077-30
32"	57.380	62.070	32.000	60-3077-32
34"	59.720	64.290	34.000	60-3077-34
36"	61.925	67.041	36.000	60-3077-36
42"	70.004	75.353	42.188	60-3077-42
48"	76.215	82.151	47.750	60-3077-48

Features & Benefits:

Designed to negotiate 3D or greater bends.

- Equipped with Series C cups made from Reliathane, Apache's special blend of wear-resistant polyurethane.
- Large wearing surface of the cup promotes longer life while the edge holds firmly against the pipe wall.
- Equipped with circular brushes.
- Every SC4R 16" – 48" pig is manufactured with by-pass ports. These ports feature threaded plugs that can be removed.
- Standard bumper noses cushion the pig and help to protect in-line auxiliary equipment.

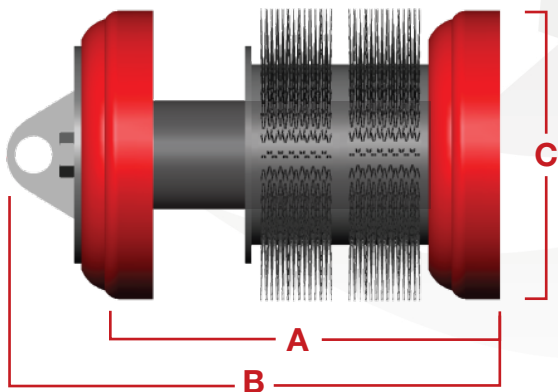
Options Available:

- CARVER discs. See page 5-20 for additional information.
- Aluminum Gauge Plates in standard styles or slotted styles. See page 6-4 for additional information.
- Radial and Block Brush options available. See pages 5-23 to 5-26 for additional information.
- Magnets to collect metallic debris. See page 6-2 for additional information.
- Transmitter Cavity to accommodate electronic tracking equipment. See page 6-5 for additional information.
- Rattlers. See page 6-5 for additional information.

DC2R

6-14" (152-356mm)

The DC2R provides efficient cleaning capability. The DC2R features two Series C cups and two circular brushes. These multiple sealing components create a positive seal, while providing a bigger surface area resulting in improved cleaning ability.



Size	A	B	C	Part #
6"	7.750	11.500	6.375	60-3082-06
8"	11.625	15.250	8.500	60-3082-08
10"	14.125	19.500	10.625	60-3082-10
12"	18.125	22.750	12.750	60-3082-12
14"	20.125	24.375	13.875	60-3082-14

Designed to negotiate 3D or greater bends.

Features & Benefits:

- Equipped with Series C cups made from Reliathane, Apache's special blend of wear-resistant polyurethane.
- Large wearing surface of the cup promotes longer life while the edge holds firmly against the pipe wall.

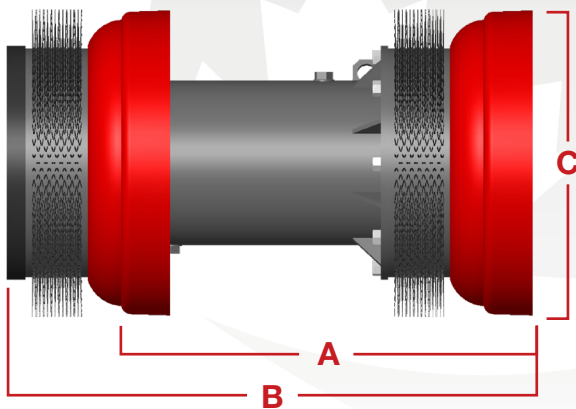
Options Available:

- CARVER discs. See page 5-20 for additional information.
- Aluminum Gauge Plates in standard or slotted styles. See page 6-4 for additional information.
- Radial Brush options available. See page 5-23 for additional information.
- Magnets to collect metallic debris. See page 6-2 for additional information.

DC2R

16-48" (406-1219mm)

The DC2R provides efficient cleaning capability. The DC2R features two Series C cups and two circular brushes. These multiple sealing components create a positive seal, while providing a bigger surface area resulting in improved cleaning ability.



Size	A	B	C	Part #
16"	22.250	28.500	16.000	60-3082-16
18"	23.750	30.125	17.875	60-3082-18
20"	26.125	32.875	19.875	60-3082-20
22"	28.375	35.375	21.875	60-3082-22
24"	31.000	37.875	23.875	60-3082-24
26"	33.125	40.500	25.875	60-3082-26
28"	35.500	43.000	28.000	60-3082-28
30"	37.375	45.375	29.875	60-3082-30
32"	39.625	47.500	32.000	60-3082-32
34"	41.875	49.625	34.000	60-3082-34
36"	43.875	52.250	36.000	60-3082-36
42"	50.625	59.250	42.125	60-3082-42
48"	54.750	64.000	47.750	60-3082-48

Designed to negotiate 3D or greater bends.

Features & Benefits:

- Equipped with Series C cups made from Reliathane, Apache's special blend of wear-resistant polyurethane.
- Large wearing surface of the cup promotes longer life while the edge holds firmly against the pipe wall.
- Equipped with circular brushes.
- Every UC 16" – 48" pig is manufactured with by-pass ports. These ports feature threaded plugs that can be removed.
- Standard bumper noses cushion the pig and help to protect in-line auxiliary equipment.

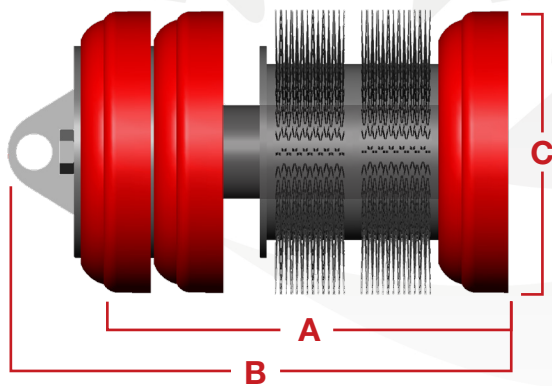
Options Available:

- CARVER discs. See page 5-20 for additional information.
- Aluminum Gauge Plates in standard styles or slotted styles. See page 6-4 for additional information.
- Radial and Block Brush options available. See pages 5-23 to 5-26 for additional information.
- Magnets to collect metallic debris. See page 6-2 for additional information.
- Transmitter Cavity to accommodate electronic tracking equipment. See page 6-5 for additional information.
- Rattlers. See page 6-5 for additional information.

DC3R

6-14" (152-356mm)

The DC3R provides efficient cleaning capability. The DC3R features three Series C cups and two circular brushes. These multiple sealing components create a positive seal, while providing a bigger surface area resulting in improved cleaning ability.



Size	A	B	C	Part #
6"	9.750	13.750	6.375	60-3083-06
8"	13.750	18.000	8.500	60-3083-08
10"	16.875	20.625	10.625	60-3083-10
12"	21.500	25.750	12.750	60-3083-12
14"	24.000	28.250	13.875	60-3083-14

Designed to negotiate 3D or greater bends.

Features & Benefits:

- Equipped with Series C cups made from Reliathane, Apache's special blend of wear-resistant polyurethane.
- Large wearing surface of the cup promotes longer life while the edge holds firmly against the pipe wall.

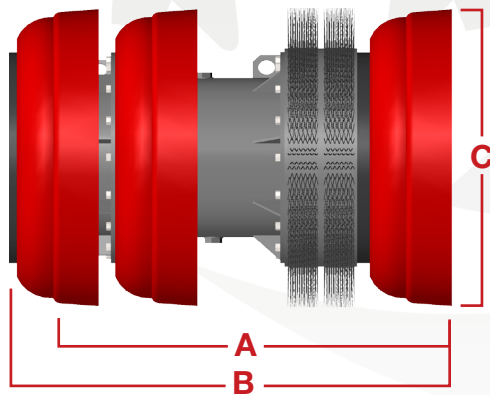
Options Available:

- CARVER discs. See page 5-20 for additional information.
- Aluminum Gauge Plates in standard or slotted styles. See page 6-4 for additional information.
- Radial Brush options available. See page 5-23 for additional information.
- Magnets to collect metallic debris. See page 6-2 for additional information.

DC3R

16-48" (406-1219mm)

The DC3R provides efficient cleaning capability. The DC3R features three Series C cups and two circular brushes. These multiple sealing components create a positive seal, while providing a bigger surface area resulting in improved cleaning ability.



Size	A	B	C	Part #
16"	20.750	23.750	16.000	60-3083-16
18"	21.125	24.250	17.875	60-3083-18
20"	25.000	28.375	19.875	60-3083-20
22"	26.625	30.375	21.875	60-3083-22
24"	29.000	32.750	23.875	60-3083-24
26"	31.000	35.125	25.875	60-3083-26
28"	34.000	38.250	28.000	60-3083-26
30"	35.500	40.125	29.875	60-3083-30
32"	39.000	43.750	32.000	60-3083-32
34"	41.500	46.125	34.000	60-3083-34
36"	42.125	47.250	36.000	60-3083-36
42"	49.625	55.000	42.125	60-3083-42
48"	56.750	62.625	47.750	60-3083-48

Features & Benefits:

Designed to negotiate 3D or greater bends.

- Equipped with Series C cups made from Reliathane, Apache's special blend of wear-resistant polyurethane.
- Large wearing surface of the cup promotes longer life while the edge holds firmly against the pipe wall.
- Equipped with circular brushes.
- Every DC3R 16" – 48" pig is manufactured with by-pass ports. These ports feature threaded plugs that can be removed.
- Standard bumper noses cushion the pig and help to protect in-line auxiliary equipment.

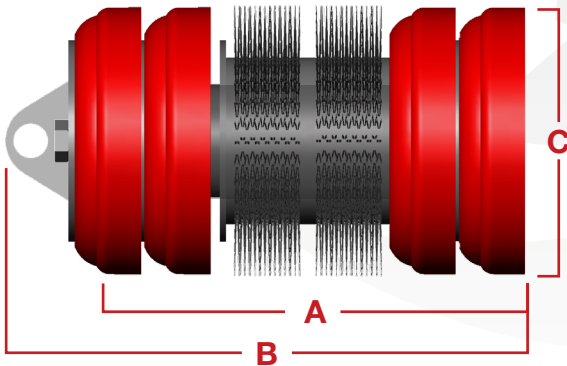
Options Available:

- CARVER discs. See page 5-20 for additional information.
- Aluminum Gauge Plates in standard styles or slotted styles. See page 6-4 for additional information.
- Radial and Block Brush options available. See pages 5-23 to 5-26 for additional information.
- Magnets to collect metallic debris. See page 6-2 for additional information.
- Transmitter Cavity to accommodate electronic tracking equipment. See page 6-5 for additional information.
- Rattlers. See page 6-5 for additional information.

DC4R

6-14" (152-356mm)

The DC4R provides efficient cleaning capability. The DC4R features four Series C cups and two circular brushes. These multiple sealing components create a positive seal, while providing a bigger surface area resulting in improved cleaning ability.



Size	A	B	C	Part #
6"	9.625	12.875	6.375	60-3084-06
8"	12.250	15.750	8.500	60-3084-08
10"	15.250	19.500	10.625	60-3084-10
12"	18.625	23.125	12.750	60-3084-12
14"	20.125	24.750	13.875	60-3084-14

Designed to negotiate 3D or greater bends.

Features & Benefits:

- Equipped with Series C cups made from Reliathane, Apache's special blend of wear-resistant polyurethane.
- Large wearing surface of the cup promotes longer life while the edge holds firmly against the pipe wall.

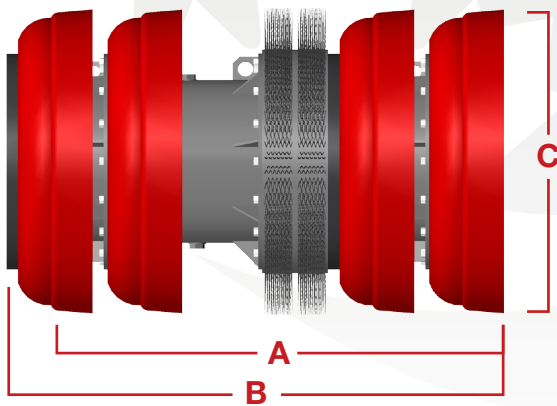
Options Available:

- CARVER discs. See page 5-20 for additional information.
- Aluminum Gauge Plates in standard or slotted styles. See page 6-4 for additional information.
- Radial Brush options available. See page 5-23 for additional information.
- Magnets to collect metallic debris. See page 6-2 for additional information.

DC4R

16-48" (406-1219mm)

The DC4R provides efficient cleaning capability. The DC4R features four Series C cups and two circular brushes. These multiple sealing components create a positive seal, while providing a bigger surface area resulting in improved cleaning ability.



Size	A	B	C	Part #
16"	32.750	35.750	16.000	60-3084-16
18"	33.500	36.625	17.875	60-3084-18
20"	35.375	38.750	19.875	60-3084-20
22"	36.500	40.375	21.875	60-3084-22
24"	38.750	42.500	23.875	60-3084-24
26"	38.125	42.375	25.875	60-3084-26
28"	41.750	46.000	28.000	60-3084-28
30"	44.375	49.000	29.875	60-3084-30
32"	47.875	52.500	32.000	60-3084-32
34"	50.500	55.000	34.000	60-3084-34
36"	51.125	56.250	36.000	60-3084-36
42"	59.250	64.625	42.125	60-3084-42
48"	67.500	73.375	47.750	60-3084-48

Features & Benefits:

Designed to negotiate 5D or greater bends.

- Equipped with Series C cups made from Reliathane, Apache's special blend of wear-resistant polyurethane.
- Large wearing surface of the cup promotes longer life while the edge holds firmly against the pipe wall.
- Equipped with circular brushes.
- Every DC4R 16" – 48" pig is manufactured with by-pass ports. These ports feature threaded plugs that can be removed.
- Standard bumper noses cushion the pig and help to protect in-line auxiliary equipment.

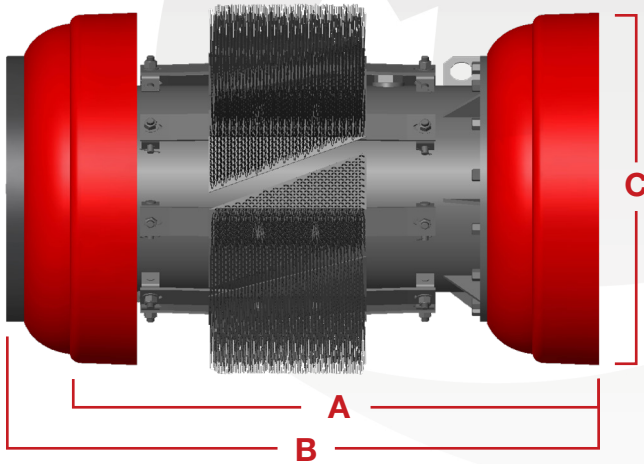
Options Available:

- CARVER discs. See page 5-20 for additional information.
- Aluminum Gauge Plates in standard styles or slotted styles. See page 6-4 for additional information.
- Radial and Block Brush options available. See pages 5-23 to 5-26 for additional information.
- Magnets to collect metallic debris. See page 6-2 for additional information.
- Transmitter Cavity to accommodate electronic tracking equipment. See page 6-5 for additional information.
- Rattlers. See page 6-5 for additional information.

UC2X

16-48" (406-1219mm)

The UC2X performs aggressively as it is equipped with block brushes to clean and scrape pipelines. The two-cup design of the UC2X provides a basic level of clean while the brushes assist in ensuring the removal of rust, scale and other contaminants adhering to the pipe wall.



Size	A	B	C	Part #
16"	19.052	22.020	16.000	60-3522-16
18"	20.463	23.645	17.875	60-3522-18
20"	24.911	28.370	19.875	60-3522-20
22"	25.088	28.850	21.875	60-3522-22
24"	27.714	31.428	23.875	60-3522-24
26"	29.875	34.093	25.875	60-3522-26
28"	32.222	36.475	28.000	60-3522-28
30"	34.181	38.830	29.880	60-3522-30
32"	36.370	41.060	32.000	60-3522-32
34"	38.610	43.180	34.000	60-3522-34
36"	40.621	45.740	36.000	60-3522-36
42"	47.386	52.740	42.190	60-3522-42
48"	51.531	57.470	47.750	60-3522-48

Features & Benefits:

Designed to negotiate 3D or greater bends.

- Equipped with Series C cups made from Reliathane, Apache's special blend of wear-resistant polyurethane.
- Large wearing surface of the cup promotes longer life while the edge holds firmly against the pipe wall.
- Equipped with circular brushes.
- Every UC 16" – 48" pig is manufactured with by-pass ports. These ports feature threaded plugs that can be removed.
- Standard bumper noses cushion the pig and help to protect in-line auxiliary equipment.

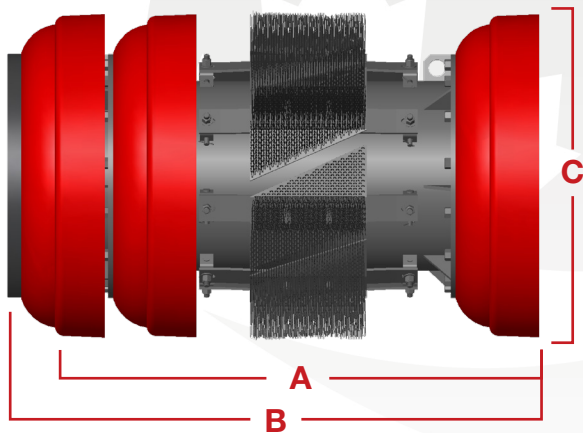
Options Available:

- CARVER discs. See page 5-20 for additional information.
- Aluminum Gauge Plates in standard styles or slotted styles. See page 6-4 for additional information.
- Radial and Block Brush options available. See pages 5-23 to 5-26 for additional information.
- Magnets to collect metallic debris. See page 6-2 for additional information.
- Transmitter Cavity to accommodate electronic tracking equipment. See page 6-5 for additional information.
- Urethane Plow Blades. Designed to replace XB Brush. See page 5-21.

UC3X

16-48" (406-1219mm)

The UC3X performs aggressively as it is equipped with block brushes to clean and scrape pipelines. The three-cup design of the UC3X provides a basic level of clean while the brushes assist in ensuring the removal of rust, scale and other contaminants adhering to the pipe wall.



Size	A	B	C	Part #
16"	24.305	27.268	16.000	60-3523-16
18"	25.846	29.022	17.875	60-3523-18
20"	30.934	34.390	19.875	60-3523-20
22"	31.638	35.400	21.875	60-3523-22
24"	34.490	38.204	23.875	60-3523-24
26"	37.151	41.369	25.875	60-3523-26
28"	40.008	44.656	29.875	60-3523-28
30"	43.008	47.656	29.875	60-3523-30
32"	45.250	49.940	32.000	60-3523-32
34"	47.540	52.110	34.000	60-3523-34
36"	49.648	54.764	36.000	60-3523-36
42"	57.070	62.419	42.188	60-3523-42
48"	62.248	68.180	47.750	60-3523-48

Designed to negotiate 3D or greater bends.

Features & Benefits:

- Equipped with Series C cups made from Reliathane, Apache's special blend of wear-resistant polyurethane.
- Large wearing surface of the cup promotes longer life while the edge holds firmly against the pipe wall.
- Every UC 16" – 48" pig is manufactured with by-pass ports. These ports feature threaded plugs that can be removed.
- Standard bumper noses cushion the pig and help to protect in-line auxiliary equipment.

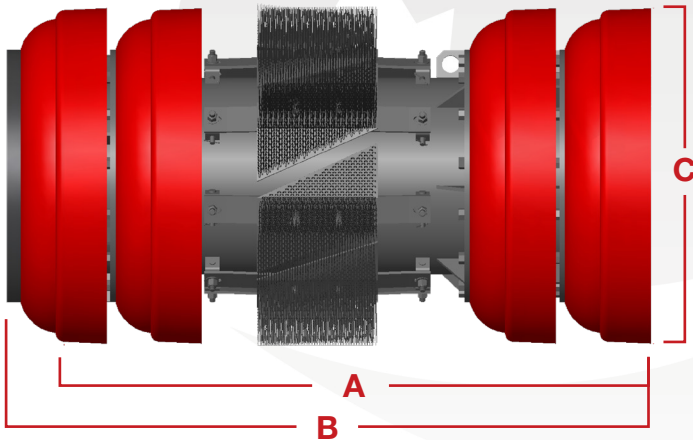
Options Available:

- CARVER discs. See page 5-20 for additional information.
- Aluminum Gauge Plates in standard styles or slotted styles. See page 6-4 for additional information.
- Radial and Block Brush options available. See pages 5-23 to 5-26 for additional information.
- Magnets to collect metallic debris. See page 6-2 for additional information.
- Transmitter Cavity to accommodate electronic tracking equipment. See page 6-5 for additional information.
- Urethane Plow Blades. Designed to replace XB Brush. See page 5-21.

UC4X

16-48" (406-1219mm)

The UC4X performs aggressively as it is equipped with block brushes to clean and scrape pipelines. The four-cup design of the UC4X provides an aggressive level of clean while the brushes assist in ensuring the removal of rust, scale and other contaminants adhering to the pipe wall.



Size	A	B	C	Part #
16"	29.560	32.520	16.000	60-3524-16
18"	31.230	34.410	17.875	60-3524-18
20"	36.960	40.041	19.875	60-3524-20
22"	37.190	40.950	21.880	60-3524-22
24"	41.270	44.980	23.880	60-3524-24
26"	44.430	48.650	25.875	60-3524-26
28"	47.920	52.180	28.000	60-3524-28
30"	51.840	56.480	29.875	60-3524-30
32"	54.130	58.820	32.000	60-3524-32
34"	56.470	61.040	34.000	60-3524-34
36"	58.670	63.790	36.000	60-3524-36
42"	66.750	72.100	42.188	60-3524-42
48"	72.970	78.900	47.750	60-3524-48

Designed to negotiate 3D or greater bends.

Features & Benefits:

- Equipped with Series C cups made from Reliathane, Apache's special blend of wear-resistant polyurethane.
- Large wearing surface of the cup promotes longer life while the edge holds firmly against the pipe wall.
- Every UC 16" – 48" pig is manufactured with by-pass ports. These ports feature threaded plugs that can be removed.
- Standard bumper noses cushion the pig and help to protect in-line auxiliary equipment.

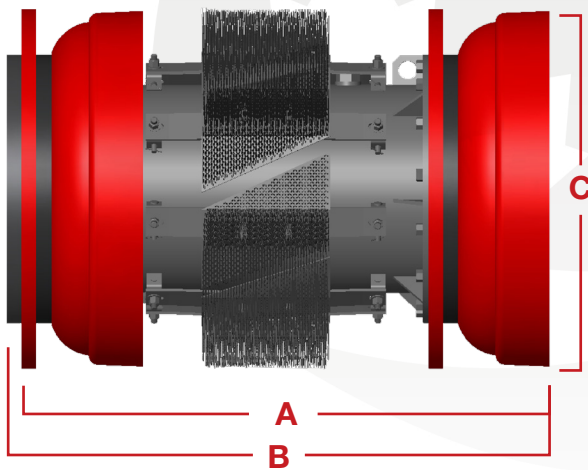
Options Available:

- CARVER discs. See page 5-20 for additional information.
- Aluminum Gauge Plates in standard styles or slotted styles. See page 6-4 for additional information.
- Radial and Block Brush options available. See pages 5-23 to 5-26 for additional information.
- Magnets to collect metallic debris. See page 6-2 for additional information.
- Transmitter Cavity to accommodate electronic tracking equipment. See page 6-5 for additional information.
- Urethane Plow Blades. Designed to replace XB Brush. See page 5-21.

DCDX

16-48" (406-1219mm)

The DCDX features two sealing discs, two Series C cups and block brushes. Multiple Sealing components provide a larger surface area and greater sealing capability. The DCDX aggressively cleans pipelines and is typically used in longer distance operations.



Size	A	B	C	Part #
16"	24.000	25.000	16.000	60-3700-16
18"	25.625	26.625	17.875	60-3700-18
20"	30.875	31.875	19.875	60-3700-20
22"	31.375	32.375	21.875	60-3700-22
24"	34.375	35.375	23.875	60-3700-24
26"	37.125	38.125	25.875	60-3700-26
28"	39.875	41.000	28.000	60-3700-28
30"	42.250	43.375	29.875	60-3700-30
32"	44.750	46.000	32.000	60-3700-32
34"	46.875	48.125	34.000	60-3700-34
36"	49.875	51.250	36.000	60-3700-36
42"	57.250	58.750	42.125	60-3700-42
48"	62.750	64.500	47.750	60-3700-48

Designed to negotiate 3D or greater bends.

Features & Benefits:

- Equipped with Series C cups made from Reliathane, Apache's special blend of wear-resistant polyurethane.
- Large wearing surface of the cup promotes longer life while the edge holds firmly against the pipe wall.
- Every DCDX 16" – 48" pig is manufactured with by-pass ports. These ports feature threaded plugs that can be removed.
- Standard bumper noses cushion the pig and help to protect in-line auxiliary equipment.

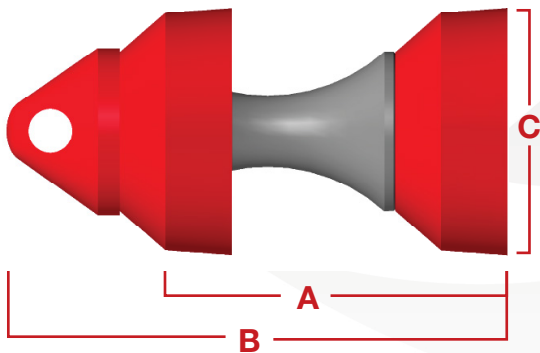
Options Available:

- CARVER discs. See page 5-20 for additional information.
- Aluminum Gauge Plates in standard styles or slotted styles. See page 6-4 for additional information.
- Radial and Block Brush options available. See pages 5-23 to 5-26 for additional information.
- Magnets to collect metallic debris. See page 6-2 for additional information.
- Transmitter Cavity to accommodate electronic tracking equipment. See page 6-5 for additional information.
- Urethane Plow Blades. Designed to replace XB Brush. See page 5-21.

UM2

3-4" (76-102mm)

The two-cup design of the UM2 provides a positive seal between fluids for efficient batching. The UM2 is also capable of providing a light clean to the interior pipe wall.



Size	A	B	C	Part #
3"	4.625	6.750	3.375	70-5802-03
4"	5.875	8.625	4.250	70-5802-04

Designed to negotiate 1.5D or greater bends.

Features & Benefits:

- Equipped with two Apache Series M cups made from Reliathane, Apache's special blend of wear-resistant polyurethane.
- The Conical M cup can traverse pipeline anomalies of up to 20% without damaging inline auxiliary equipment.

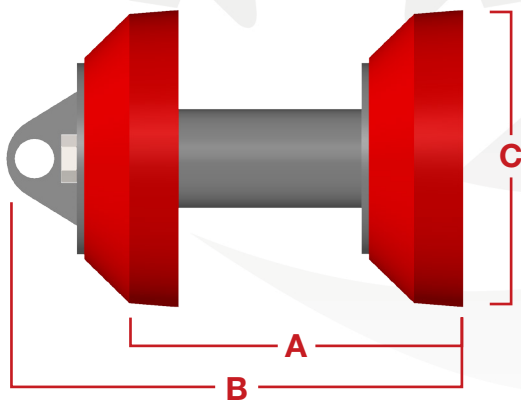
Options Available:

- CARVER discs. See page 5-20 for additional information.
- Aluminum Gauge Plates in standard or slotted styles. See page 6-4 for additional information.
- Radial Brush options available. See page 5-23 for additional information.

UM2

6-14" (152-356mm)

The two-cup design of the UM2 provides a positive seal between fluids for efficient batching. The UM2 is also capable of providing a light clean to the interior pipe wall.



Size	A	B	C	Part #
6"	7.220	10.590	6.500	70-5802-06
8"	9.490	13.100	8.380	70-5802-08
10"	11.810	16.170	10.500	70-5802-10
12"	13.070	17.670	12.500	70-5802-12
14"	15.470	20.180	14.000	70-5802-14

Designed to negotiate 1.5D or greater bends.

Features & Benefits:

- Equipped with two Apache Series M cups made from Reliathane, Apache's special blend of wear-resistant polyurethane.
- The Conical M cup can traverse pipeline anomalies of up to 20% without damaging inline auxiliary equipment.

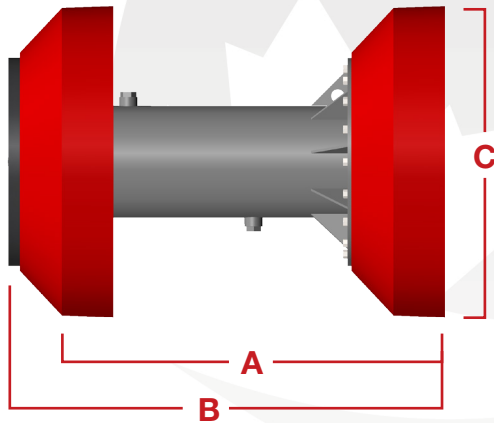
Options Available:

- CARVER discs. See page 5-20 for additional information.
- Aluminum Gauge Plates in standard or slotted styles. See page 6-4 for additional information.
- Radial Brush options available. See page 5-23 for additional information.
- Magnets to collect metallic debris. See page 6-2 for additional information.

UM2

16-48" 406-1219mm)

The two-cup design of the UM2 provides a positive seal between fluids for efficient batching. The UM2 is also capable of providing a light clean to the interior pipe wall.



Size	A	B	C	Part #
16"	21.011	24.056	15.875	70-5802-16
20"	25.710	29.320	20.000	70-5802-20
22"	29.180	33.077	22.000	70-5802-22
24"	29.509	33.889	24.000	70-5802-24
30"	36.695	41.854	29.875	70-5802-30
36"	45.782	52.296	36.000	70-5802-36
42"	54.159	61.396	42.000	70-5802-42
48"	60.328	68.668	48.000	70-5802-48

Designed to negotiate 1.5D or greater bends.

Features & Benefits:

- Equipped with two Apache Series M cups made from Reliathane, Apache's special blend of wear-resistant polyurethane.
- The Conical M cup can traverse pipeline anomalies of up to 20% without damaging inline auxiliary equipment.
- Every UM 16" – 48" pig is manufactured with by-pass ports. These ports feature threaded plugs that can be removed.
- Standard bumper noses cushion the pig and help to protect in-line auxiliary equipment.

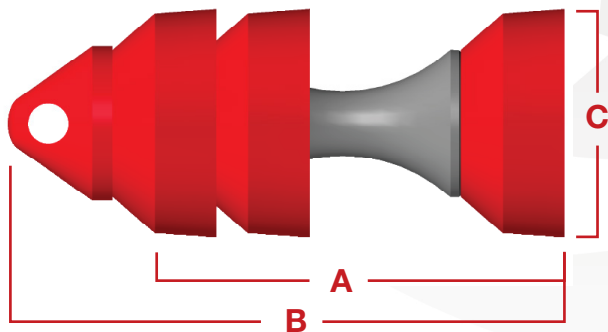
Options Available:

- CARVER discs. See page 5-20 for additional information.
- Aluminum Gauge Plates in standard styles or slotted styles. See page 6-4 for additional information.
- Radial and Block Brush options available. See pages 5-23 to 5-26 for additional information.
- Magnets to collect metallic debris. See page 6-2 for additional information.
- Transmitter Cavity to accommodate electronic tracking equipment. See page 6-5 for additional information.
- Rattlers. See page 6-5 for additional information.

UM3

3-4" (76-102mm)

The three-cup design of the UM3 provides a positive seal between fluids for efficient batching. The UM3 is also capable of providing a light clean to the interior pipe wall.



Size	A	B	C	Part #
3"	6.375	8.500	3.375	70-5803-03
4"	7.625	10.375	4.250	70-5803-04

Designed to negotiate 3D or greater bends.

Features & Benefits:

- Equipped with three Apache Series M cups made from Reliathane, Apache's special blend of wear-resistant polyurethane.
- The Conical M cup can traverse pipeline anomalies of up to 20% without damaging inline auxiliary equipment.

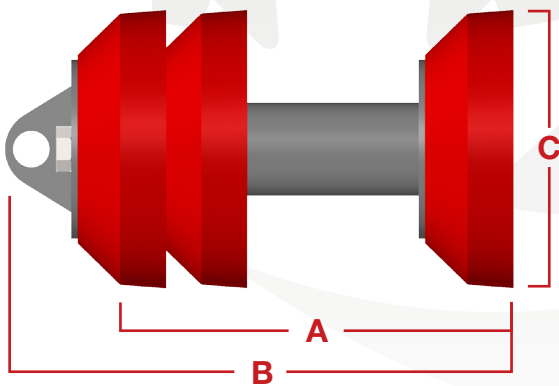
Options Available:

- CARVER discs. See page 5-20 for additional information.
- Aluminum Gauge Plates in standard or slotted styles. See page 6-4 for additional information.
- Radial Brush options available. See page 5-23 for additional information.

UM3

6-14" (152-356mm)

The three-cup design of the UM3 provides a positive seal between fluids for efficient batching. The UM3 is also capable of providing a light clean to the interior pipe wall.



Size	A	B	C	Part #
6"	9.230	12.710	6.500	70-5803-06
8"	11.990	15.610	8.380	70-5803-08
10"	14.880	19.240	10.500	70-5803-10
12"	16.640	21.240	12.500	70-5803-12
14"	19.540	24.250	14.000	70-5803-14

Designed to negotiate 1.5D or greater bends.

Features & Benefits:

- Equipped with three Apache Series M cups made from Reliathane, Apache's special blend of wear-resistant polyurethane.
- The Conical M cup can traverse pipeline anomalies of up to 20% without damaging inline auxiliary equipment.

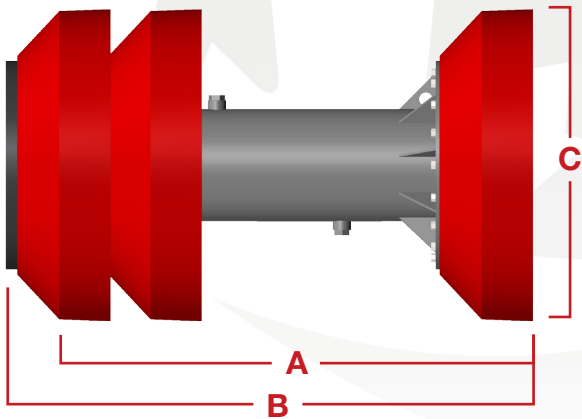
Options Available:

- CARVER discs. See page 5-20 for additional information.
- Aluminum Gauge Plates in standard or slotted styles. See page 6-4 for additional information.
- Radial Brush options available. See page 5-23 for additional information.
- Magnets to collect metallic debris. See page 6-2 for additional information.

UM3

16-48" (406-1219mm)

The three-cup design of the UM3 pig provides a positive seal between fluids for efficient batching. The UM3 is also capable of providing a light clean to the interior pipe wall.



Size	A	B	C	Part #
16"	25.020	28.070	15.875	70-5803-16
20"	31.716	35.330	20.000	70-5803-20
22"	35.818	39.715	22.000	70-5803-22
24"	36.468	40.848	24.000	70-5803-24
30"	45.460	50.619	29.875	70-5803-30
36"	56.182	62.696	36.000	70-5803-36
42"	66.305	73.542	42.000	70-5803-42
48"	74.601	82.941	48.000	70-5803-48

Designed to negotiate 1.5D or greater bends.

Features & Benefits:

- Equipped with three Apache Series M cups made from Reliathane, Apache's special blend of wear-resistant polyurethane.
- The Conical M cup can traverse pipeline anomalies of up to 20% without damaging inline auxiliary equipment.
- Every UM 16" – 48" pig is manufactured with by-pass ports. These ports feature threaded plugs that can be removed.
- Standard bumper noses cushion the pig and help to protect in-line auxiliary equipment.

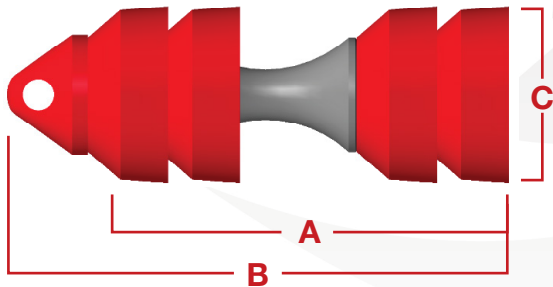
Options Available:

- CARVER discs. See page 5-20 for additional information.
- Aluminum Gauge Plates in standard styles or slotted styles. See page 6-4 for additional information.
- Radial and Block Brush options available. See pages 5-23 to 5-26 for additional information.
- Magnets to collect metallic debris. See page 6-2 for additional information.
- Transmitter Cavity to accommodate electronic tracking equipment. See page 6-5 for additional information.
- Rattlers. See page 6-5 for additional information.

UM4

3-4" (76-102mm)

The four-cup design of the UM4 provides a positive seal between fluids for efficient batching. The UM4 is also capable of providing a light clean to the interior pipe wall.



Size	A	B	C	Part #
3"	8.000	10.125	3.375	70-5804-03
4"	9.375	12.000	4.250	70-5804-04

Designed to negotiate 3D or greater bends.

Features & Benefits:

- Equipped with four Apache Series M cups made from Reliathane, Apache's special blend of wear-resistant polyurethane.
- The Conical M cup can traverse pipeline anomalies of up to 20% without damaging inline auxiliary equipment.

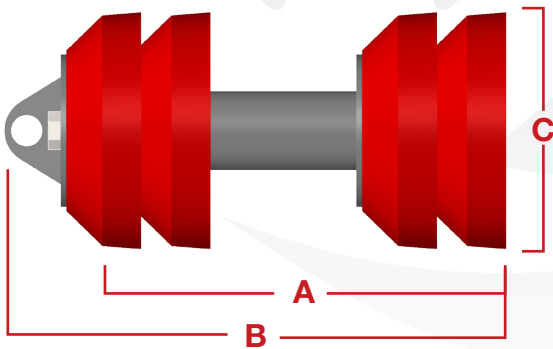
Options Available:

- CARVER discs. See page 5-20 for additional information.
- Aluminum Gauge Plates in standard or slotted styles. See page 6-4 for additional information.
- Radial Brush options available. See page 5-23 for additional information.

UM4

6-14" (152-356mm)

The four-cup design of the UM4 provides a positive seal between fluids for efficient batching. The UM4 is also capable of providing a light clean to the interior pipe wall.



Size	A	B	C	Part #
6"	11.240	14.710	6.500	70-5804-06
8"	14.500	18.110	8.380	70-5804-08
10"	17.950	22.310	10.500	70-5804-10
12"	20.210	24.810	12.500	70-5804-12
14"	23.610	28.320	14.000	70-5804-14

Designed to negotiate 1.5D or greater bends.

Features & Benefits:

- Equipped with four Apache Series M cups made from Reliathane, Apache's special blend of wear-resistant polyurethane.
- The Conical M cup can traverse pipeline anomalies of up to 20% without damaging inline auxiliary equipment.

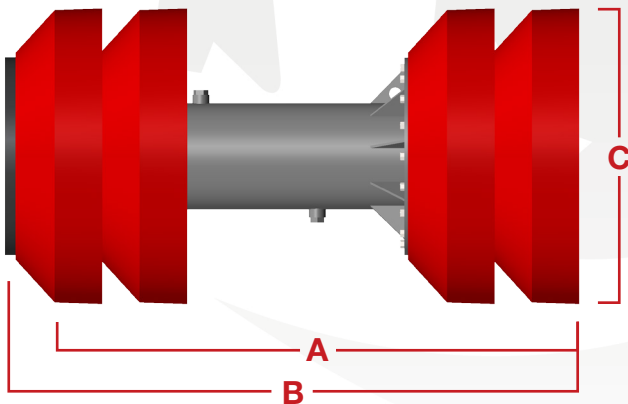
Options Available:

- CARVER discs. See page 5-20 for additional information.
- Aluminum Gauge Plates in standard or slotted styles. See page 6-4 for additional information.
- Radial Brush options available. See page 5-23 for additional information.
- Magnets to collect metallic debris. See page 6-2 for additional information.

UM4

16-48" (406-1219mm)

The four-cup design of the UM4 provides a positive seal between fluids for efficient batching. The UM4 is also capable of providing a light clean to the interior pipe wall.



Size	A	B	C	Part #
16"	29.033	32.078	15.875	70-5804-16
20"	37.727	41.341	20.000	70-5804-20
22"	42.456	46.353	22.000	70-5804-22
24"	43.427	47.807	24.000	70-5804-24
30"	54.225	59.384	29.875	70-5804-30
36"	66.582	73.096	36.000	70-5804-36
42"	78.451	85.688	42.000	70-5804-42
48"	88.875	97.214	48.000	70-5804-48

Designed to negotiate 1.5D or greater bends.

Features & Benefits:

- Equipped with four Apache Series M cups made from Reliathane, Apache's special blend of wear-resistant polyurethane.
- The Conical M cup can traverse pipeline anomalies of up to 20% without damaging inline auxiliary equipment.
- Every UM 16" – 48" pig is manufactured with by-pass ports. These ports feature threaded plugs that can be removed.
- Standard bumper noses cushion the pig and help to protect in-line auxiliary equipment.

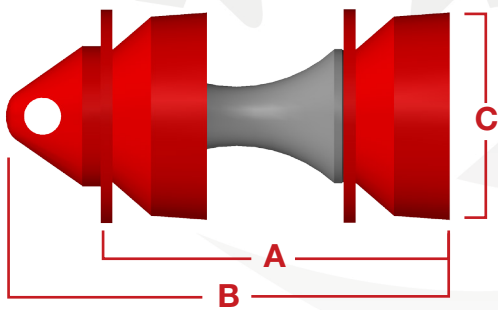
Options Available:

- CARVER discs. See page 5-20 for additional information.
- Aluminum Gauge Plates in standard styles or slotted styles. See page 6-4 for additional information.
- Radial and Block Brush options available. See pages 5-23 to 5-26 for additional information.
- Magnets to collect metallic debris. See page 6-2 for additional information.
- Transmitter Cavity to accommodate electronic tracking equipment. See page 6-5 for additional information.
- Rattlers. See page 6-5 for additional information.

DMD

3-4" (76-102mm)

Every DMD is equipped with two sealing discs and two Series M cups. These components allow for a seal between dissimilar fluids while providing a bigger surface area. As a result, its sealing capacity, scraping capability are greatly improved.



Size	A	B	C	Part #
3"	5.625	7.125	3.375	70-6850-03
4"	7.125	9.125	4.250	70-6850-04

Designed to negotiate 1.5D or greater bends.

Features & Benefits:

- Equipped with two Apache Series M cups and two sealer discs made from Reliathane, Apache's special blend of wear-resistant polyurethane.
- The Conical M cup can traverse pipeline anomalies of up to 20% without damaging inline auxiliary equipment.

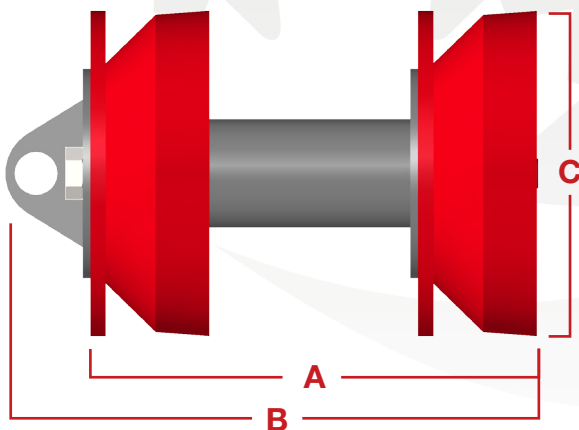
Options Available:

- CARVER discs. See page 5-20 for additional information.
- Aluminum Gauge Plates in standard or slotted styles. See page 6-4 for additional information.
- Radial Brush options available. See page 5-23 for additional information.

DMD

6-14" (152-356mm)

Every DMD is equipped with two sealing discs and two Series M cups. These components allow for a seal between dissimilar fluids while providing a bigger surface area. As a result, its sealing capacity, scraping capability are greatly improved.



Size	A	B	C	Part #
6"	9.125	12.750	6.500	70-6850-06
8"	11.875	15.000	8.375	70-6850-08
10"	14.375	17.250	10.500	70-6850-10
12"	16.125	18.875	12.500	70-6850-12
14"	18.625	21.375	14.000	70-6850-14

Designed to negotiate 1.5D or greater bends.

Features & Benefits:

- Equipped with two Apache Series M cups and two sealer discs made from Reliathane, Apache's special blend of wear-resistant polyurethane.
- The Conical M cup can traverse pipeline anomalies of up to 20% without damaging inline auxiliary equipment.

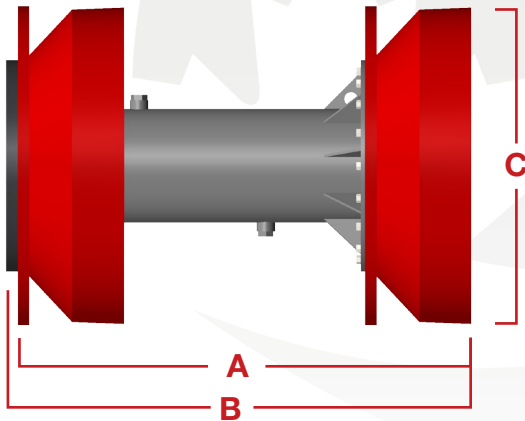
Options Available:

- CARVER discs. See page 5-20 for additional information.
- Aluminum Gauge Plates in standard or slotted styles. See page 6-4 for additional information.
- Radial Brush options available. See page 5-23 for additional information.
- Magnets to collect metallic debris. See page 6-2 for additional information.

DMD

16-48" (406-1219mm)

Every DMD is equipped with two sealing discs and two Series M cups. These components allow for a seal between dissimilar fluids while providing a bigger surface area. As a result, its sealing capacity, scraping capability are greatly improved.



Size	A	B	C	Part #
16"	24.500	25.500	15.875	70-6850-16
20"	30.000	31.000	20.000	70-6850-20
22"	33.875	34.875	22.000	60-6850-22
24"	34.875	35.875	24.000	70-6850-24
30"	43.000	44.125	29.875	70-6850-30
36"	53.625	55.000	34.000	70-6850-36
42"	62.875	64.375	42.000	70-6850-42
48"	70.375	72.125	48.000	70-6850-48

Designed to negotiate 1.5D or greater bends.

Features & Benefits:

- Equipped with two Apache Series M cups and two sealer discs made from Reliathane, Apache's special blend of wear-resistant polyurethane.
- The Conical M cup can traverse pipeline anomalies of up to 20% without damaging inline auxiliary equipment.
- Every DMD 16" – 48" pig is manufactured with by-pass ports. These ports feature threaded plugs that can be removed.
- Standard bumper noses cushion the pig and help to protect in-line auxiliary equipment.

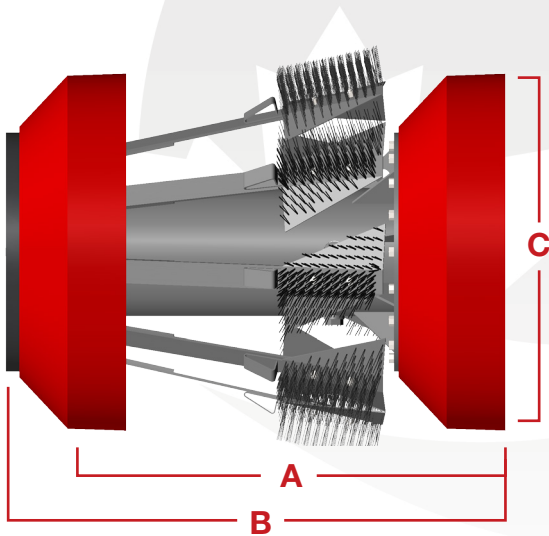
Options Available:

- CARVER discs. See page 5-20 for additional information.
- Aluminum Gauge Plates in standard styles or slotted styles. See page 6-4 for additional information.
- Radial and Block Brush options available. See pages 5-23 to 5-26 for additional information.
- Magnets to collect metallic debris. See page 6-2 for additional information.
- Transmitter Cavity to accommodate electronic tracking equipment. See page 6-5 for additional information.
- Rattlers. See page 6-5 for additional information.

UM2X

16-48" (406-1219mm)

The two-cup design of the UM2X pig provides a positive seal between fluids for efficient batching. In comparison to the UM2, the UM2X includes block brushes to upgrade it to a moderate cleaning pig.



Size	A	B	C	Part #
16"	21.011	24.056	15.875	60-5142-16
20"	26.108	29.437	18.000	60-5142-20
22"	30.055	33.952	22.000	60-5142-22
24"	29.509	33.889	24.000	60-5142-24
30"	36.695	41.854	29.875	60-5142-30
36"	45.782	52.296	36.000	60-5142-36
42"	54.159	61.396	42.000	60-5142-42
48"	60.328	68.668	48.000	60-5142-48

Designed to negotiate 1.5D or greater bends.

Features & Benefits:

- Equipped with two Apache Series M cups made from Reliathane, Apache's special blend of wear-resistant polyurethane.
- The Conical M cup can traverse pipeline anomalies of up to 20% without damaging inline auxiliary equipment.
- Every UM 16" – 48" pig is manufactured with by-pass ports. These ports feature threaded plugs that can be removed.
- Standard bumper noses cushion the pig and help to protect in-line auxiliary equipment.

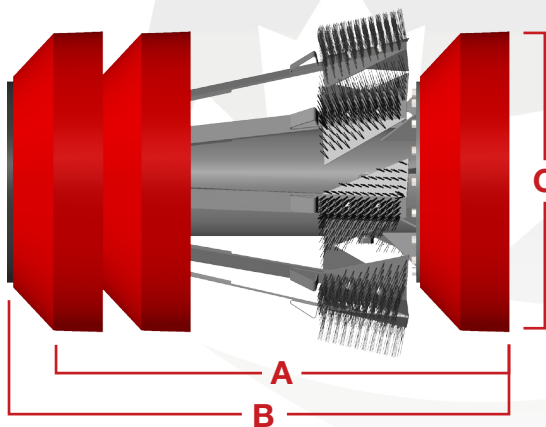
Options Available:

- CARVER discs. See page 5-20 for additional information.
- Aluminum Gauge Plates in standard styles or slotted styles. See page 6-4 for additional information.
- Radial and Block Brush options available. See pages 5-23 to 5-26 for additional information.
- Magnets to collect metallic debris. See page 6-2 for additional information.
- Transmitter Cavity to accommodate electronic tracking equipment. See page 6-5 for additional information.
- Rattlers. See page 6-5 for additional information.

UM3X

16-48" (406-1219mm)

The three-cup design of the UM3X provides a positive seal between fluids for efficient batching. In comparison to the UM3, the UM3X includes block brushes to upgrade it to a moderate cleaning pig.



Size	A	B	C	Part #
16"	25.020	28.070	15.875	60-5143-16
20"	31.716	35.330	20.000	60-5143-20
22"	35.818	39.715	22.000	60-5143-22
24"	36.468	40.848	24.000	60-5143-24
30"	45.460	50.619	29.875	60-5143-30
36"	56.182	62.686	36.000	60-5143-36
42"	66.305	73.542	42.000	60-5143-42
48"	74.601	82.941	48.000	60-5143-48

Designed to negotiate 1.5D or greater bends.

Features & Benefits:

- Equipped with three Apache Series M cups made from Reliathane, Apache's special blend of wear-resistant polyurethane.
- The Conical M cup can traverse pipeline anomalies of up to 20% without damaging inline auxiliary equipment.
- Every UM 16" – 48" pig is manufactured with by-pass ports. These ports feature threaded plugs that can be removed.
- Standard bumper noses cushion the pig and help to protect in-line auxiliary equipment.

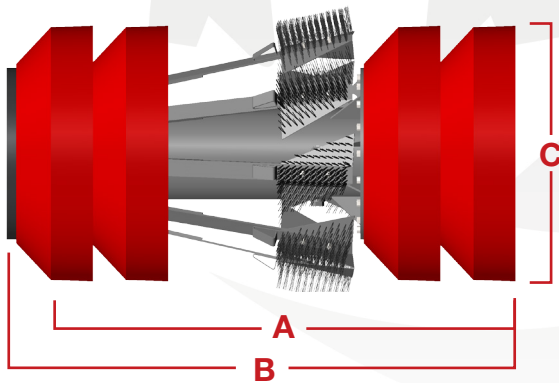
Options Available:

- CARVER discs. See page 5-20 for additional information.
- Aluminum Gauge Plates in standard styles or slotted styles. See page 6-4 for additional information.
- Radial and Block Brush options available. See pages 5-23 to 5-26 for additional information.
- Magnets to collect metallic debris. See page 6-2 for additional information.
- Transmitter Cavity to accommodate electronic tracking equipment. See page 6-5 for additional information.
- Rattlers. See page 6-5 for additional information.

UM4X

16-48" (406-1219mm)

The four-cup design of the UM4X provides a positive seal between fluids for efficient batching. In comparison to the UM4, the UM4X includes block brushes to upgrade it to a moderate cleaning pig.



Size	A	B	C	Part #
16"	29.033	32.078	15.875	60-5144-16
20"	34.380	37.709	18.000	60-5144-20
22"	46.353	42.456	22.000	60-5144-22
24"	43.427	47.807	24.000	60-5144-24
30"	54.225	59.384	29.875	60-5144-30
36"	66.582	73.096	36.000	60-5144-36
42"	78.451	85.688	42.000	60-5144-42
48"	88.874	97.214	48.000	60-5144-48

Designed to negotiate 1.5D or greater bends.

Features & Benefits:

- Equipped with four Apache Series M cups made from Reliathane, Apache's special blend of wear-resistant polyurethane.
- The Conical M cup can traverse pipeline anomalies of up to 20% without damaging inline auxiliary equipment.
- Every UM 16" – 48" pig is manufactured with by-pass ports. These ports feature threaded plugs that can be removed.
- Standard bumper noses cushion the pig and help to protect in-line auxiliary equipment.

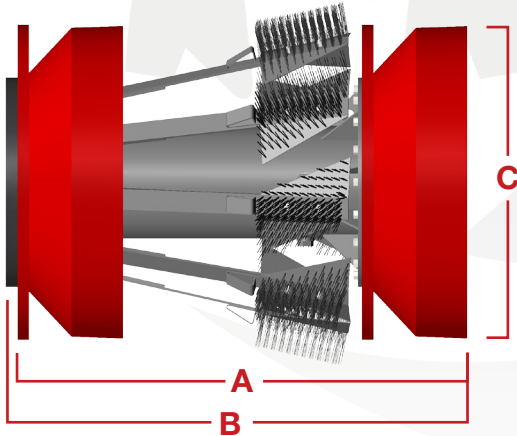
Options Available:

- CARVER discs. See page 5-20 for additional information.
- Aluminum Gauge Plates in standard styles or slotted styles. See page 6-4 for additional information.
- Radial and Block Brush options available. See pages 5-23 to 5-26 for additional information.
- Magnets to collect metallic debris. See page 6-2 for additional information.
- Transmitter Cavity to accommodate electronic tracking equipment. See page 6-5 for additional information.
- Rattlers. See page 6-5 for additional information.

DMDX

16-48" (406-1219mm)

Every DMDX is equipped with two sealing discs, two Series M cups and block brushes. These components allow for a seal between dissimilar fluids while providing a bigger surface area. As a result, its sealing capacity, scraping capability are greatly improved. The DMDX differs itself from the DMD as the added brushes enhance cleaning ability.



Size	A	B	C	Part #
16"	24.556	25.556	15.875	60-6900-16
20"	30.069	31.069	20.000	60-6900-20
22"	33.827	34.827	22.000	60-6900-22
24"	34.889	35.889	24.000	60-6900-24
30"	42.979	44.104	29.875	60-6900-30
36"	53.671	55.046	36.000	60-6900-36
42"	62.896	64.396	42.000	60-6900-42
48"	70.418	72.169	48.000	60-6900-48

Designed to negotiate 1.5D or greater bends.

Features & Benefits:

- Equipped with two Apache Series M cups and two sealer discs made from Reliathane, Apache's special blend of wear-resistant polyurethane.
- The Conical M cup can traverse pipeline anomalies of up to 20% without damaging inline auxiliary equipment.
- Every DMDX 16" – 48" pig is manufactured with by-pass ports. These ports feature threaded plugs that can be removed.
- Standard bumper noses cushion the pig and help to protect in-line auxiliary equipment.

Options Available:

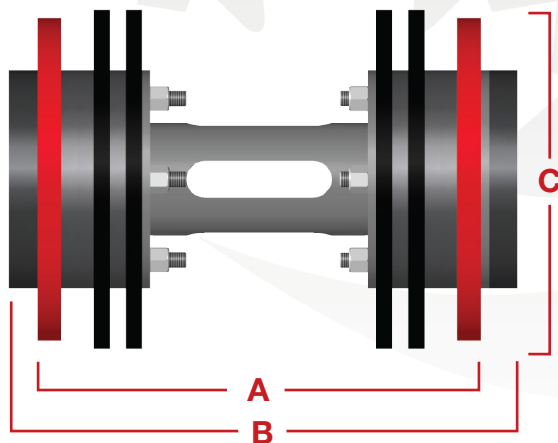
- CARVER discs. See page 5-20 for additional information.
- Aluminum Gauge Plates in standard styles or slotted styles. See page 6-4 for additional information.
- Radial and Block Brush options available. See pages 5-23 to 5-26 for additional information.
- Magnets to collect metallic debris. See page 6-2 for additional information.
- Transmitter Cavity to accommodate electronic tracking equipment. See page 6-5 for additional information.
- Rattlers. See page 6-5 for additional information.

UT-ED

6-12" (152-356mm)

The UT mandrel was designed to house a transmitter located in the center of the slotted universal mandrel. It can also accommodate virtually any configuration of cup, disc and brush. This allows the pig to clean and batch many dissimilar fluids.

When it comes to displacing air and water during hydrostatic testing carried out during construction, the UT-ED gets the job done, quickly and efficiently. With its bi-directional design, it can travel in either direction.



Size	A	B	C	Part #
6"	7.250	11.750	6.375	70-7066-06
8"	8.880	14.130	8.375	70-7066-08
10"	10.240	15.740	10.500	70-7066-10
12"	12.750	19.000	12.500	70-7066-12
14"	15.120	21.370	13.880	70-7066-14

Designed to negotiate 1.5D or greater bends.

Features & Benefits:

- Equipped with discs made from Reliathane, Apache's special blend of wear-resistant polyurethane.
- Standard bumper noses cushion the pig and help to protect in-line auxiliary equipment.

Options Available:

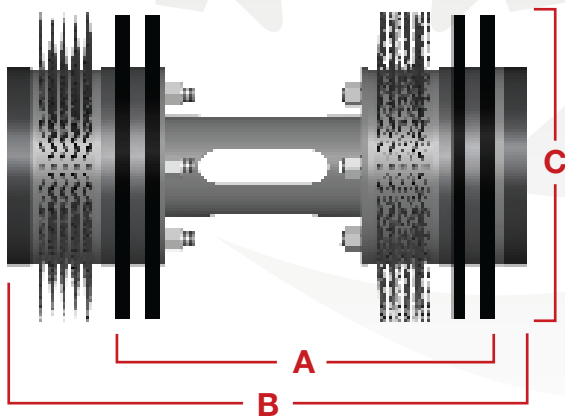
- CARVER discs. See page 5-20 for additional information.
- Aluminum Gauge Plates in standard or slotted styles. See page 6-4 for additional information.
- Radial Brush options available. See page 5-23 for additional information.
- Magnets to collect metallic debris. See page 6-2 for additional information.

UTR-EDR

6-12" (152-356mm)

The UT mandrel was designed to house a transmitter located in the center of the slotted universal mandrel. It can also accommodate virtually any configuration of cup, disc and brush. This allows the pig to clean and batch many dissimilar fluids.

The UT-EDR is equipped with sturdy circular flange brushes that forcefully scrub away residue and debris. The UT-EDR provides a moderate cleaning before pipeline testing leaving it ready for assessment. The UT-EDR is also functions as a bidirectional pig.



Size	A	B	C	Part #
6"	9.000	12.000	6.375	60-7160-06
8"	11.250	15.375	8.375	60-7160-08
10"	13.125	18.000	10.500	60-7160-10
12"	16.625	22.500	12.500	60-7160-12
14"	18.990	15.865	13.875	60-7160-14

Designed to negotiate 1.5D or greater bends.

Features & Benefits:

- Equipped with discs made from Reliathane, Apache's special blend of wear-resistant polyurethane.
- Standard bumper noses cushion the pig and help to protect in-line auxiliary equipment.

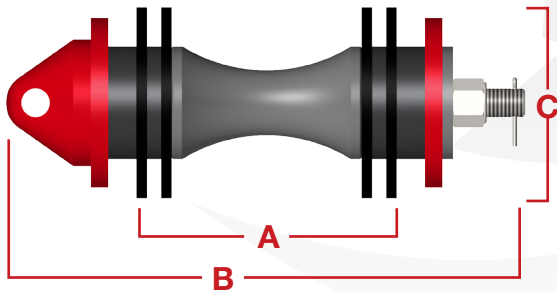
Options Available:

- CARVER discs. See page 5-20 for additional information.
- Aluminum Gauge Plates in standard or slotted styles. See page 6-4 for additional information.
- Radial Brush options available. See page 5-23 for additional information.
- Magnets to collect metallic debris. See page 6-2 for additional information.

ED

2-4" (50-356mm)

When it comes to displacing air and water during hydrostatic testing carried out during construction, the ED gets the job done, quickly and efficiently. With its bi-directional design, it can travel in either direction.



Size	A	B	C	Part #
2"	3.375	6.875	2.188	70-7056-02
3"	4.625	9.250	3.375	70-7056-03
4"	5.875	11.125	4.375	70-7056-04

Designed to negotiate 3D or greater bends.

Features & Benefits:

- Provides an effective seal when separating dissimilar fluids or dewatering during hydrostatic testing
- Equipped with two guide discs and four sealing discs made from Reliathane, Apache's special blend of wear-resistant polyurethane.
- With repeated use, sealing discs can experience wear and tear. The ED pig will reverse direction, without compromising its sealing capabilities.

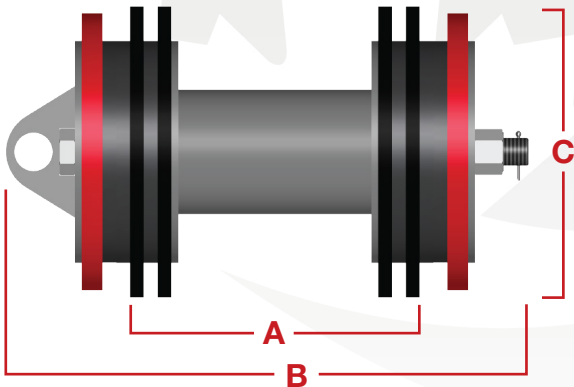
Options Available:

- CARVER discs. See page 5-20 for additional information.
- Aluminum Gauge Plates in standard style. See page 6-4 for additional information.

ED

6-14" (76-356mm)

When it comes to displacing air and water during hydrostatic testing carried out during construction, the ED gets the job done, quickly and efficiently. With its bi-directional design, it can travel in either direction.



Size	A	B	C	Part #
6"	6.000	13.250	6.375	70-7056-06
8"	7.500	15.250	8.375	70-7056-08
10"	10.500	19.00	10.500	70-7056-10
12"	12.250	21.250	12.500	70-7056-12
14"	14.500	23.500	13.875	70-7056-14

Designed to negotiate 1.5D or greater bends.

Features & Benefits:

- Provides an effective seal when separating dissimilar fluids or dewatering during hydrostatic testing
- Equipped with two guide discs and four sealing discs made from Reliathane, Apache's special blend of wear-resistant polyurethane.
- With repeated use, sealing discs can experience wear and tear. The ED pig will reverse direction, without compromising its sealing capabilities.

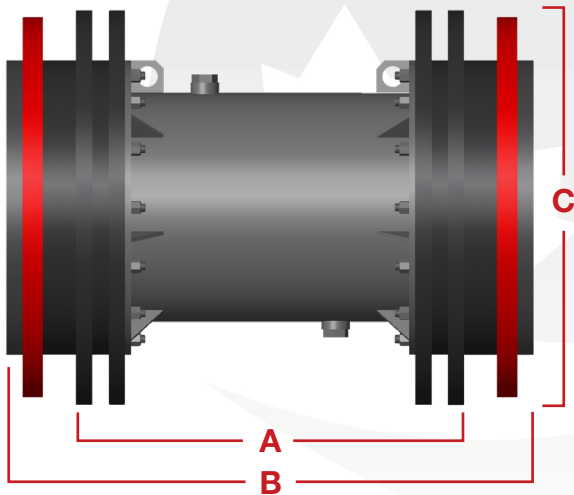
Options Available:

- CARVER discs. See page 5-20 for additional information.
- Aluminum Gauge Plates in standard or slotted styles. See page 6-4 for additional information.
- Radial Brush options available. See page 5-23 for additional information.
- Magnets to collect metallic debris. See page 6-2 for additional information.

ED

16-48" (406-1219mm)

When it comes to displacing air and water, the ED pig gets the job done, quickly and efficiently. With its bi-directional design, it can travel in either direction.



Size	A	B	C	Part #
16"	15.000	22.250	15.875	70-7056-16
18"	17.000	24.250	17.875	70-7056-18
20"	19.250	27.250	20.000	70-7056-20
22"	21.500	29.500	22.000	70-7056-22
24"	23.750	32.250	24.125	70-7056-24
26"	25.750	34.250	26.125	70-7056-26
28"	27.750	37.500	28.250	70-7056-28
30"	29.750	39.500	30.250	70-7056-30
32"	32.000	42.750	32.375	70-7056-32
34"	33.500	44.250	34.375	70-7056-34
36"	35.250	47.000	36.500	70-7056-36
42"	41.250	54.250	42.125	70-7056-42
48"	46.500	61.750	48.875	70-7056-48

Features & Benefits:

Designed to negotiate 1.5D or greater bends.

- Provides an effective seal when separating dissimilar fluids or dewatering.
- Equipped with two guide discs and four sealing discs made from Reliathane, Apache's special blend of wear-resistant polyurethane.
- With repeated use, sealing discs can experience wear and tear. The ED pig will reverse direction, without compromising its sealing capabilities.
- Every ED 16" – 48" pig is manufactured with by-pass ports. These ports feature threaded plugs that can be removed.
- Standard bumper noses cushion the pig and help to protect in-line auxiliary equipment.

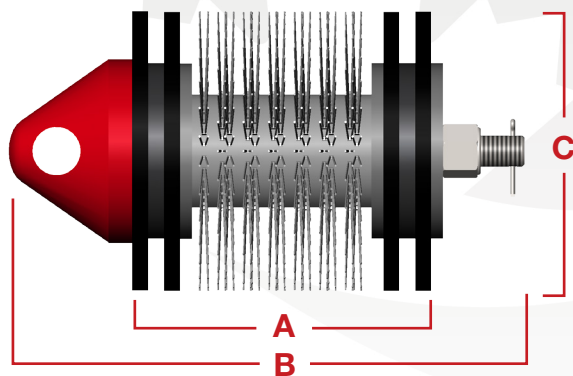
Options Available:

- CARVER discs. See page 5-20 for additional information.
- Aluminum Gauge Plates in standard styles or slotted styles. See page 6-4 for additional information.
- Radial and Block Brush options available. See pages 5-23 to 5-26 for additional information.
- Magnets to collect metallic debris. See page 6-2 for additional information.
- Transmitter Cavity to accommodate electronic tracking equipment. See page 6-5 for additional information.
- Rattlers. See page 6-5 for additional information.

EDR

3-4" (76-102mm)

The EDR is equipped with sturdy circular flange brushes that forcefully scrub away residue and debris. The EDR provides a moderate cleaning before pipeline testing leaving it ready for assessment. The EDR is also functions as a bidirectional pig.



Size	A	B	C	Part #
3"	3.530	6.220	3.375	60-7150-03
4"	4.690	8.100	4.375	60-7150-04

Designed to negotiate 1.5D or greater bends.

Features & Benefits:

- Provides an effective seal when separating dissimilar fluids or dewatering during hydrostatic testing
- Equipped with four sealing discs made from Reliathane, Apache's special blend of wear-resistant polyurethane.
- With repeated use, sealing discs can experience wear and tear. The EDR pig will reverse direction, without compromising its sealing capabilities.

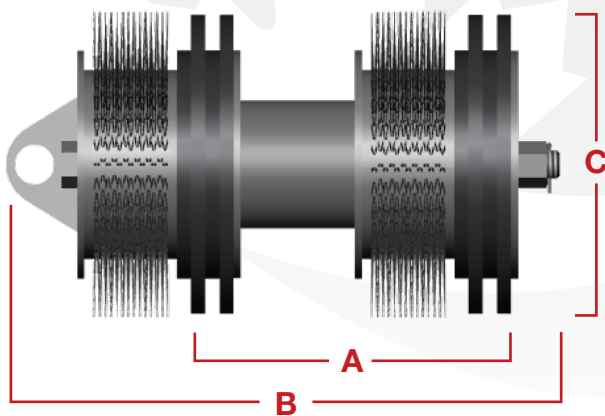
Options Available:

- CARVER discs. See page 5-20 for additional information.
- Aluminum Gauge Plates in standard style. See page 6-4 for additional information.

EDR

6-14" (152-356mm)

The EDR is equipped with sturdy circular flange brushes that forcefully scrub away residue and debris. The EDR provides a moderate cleaning before pipeline testing leaving it ready for assessment. The EDR is also functions as a bidirectional pig.



Size	A	B	C	Part #
6"	7.750	14.205	6.375	60-7150-06
8"	9.875	17.205	8.375	60-7150-08
10"	13.370	21.210	10.500	60-7150-10
12"	14.120	22.710	12.500	60-7150-12
14"	18.375	27.455	13.875	60-7150-14

Designed to negotiate 3D or greater bends.

Features & Benefits:

- Bidirectional without compromising sealing capabilities.
- Equipped with four sealing discs, made from Reliathane, Apache's special blend of wear-resistant polyurethane.
- Equipped with radial flange brushes for additional cleaning power.

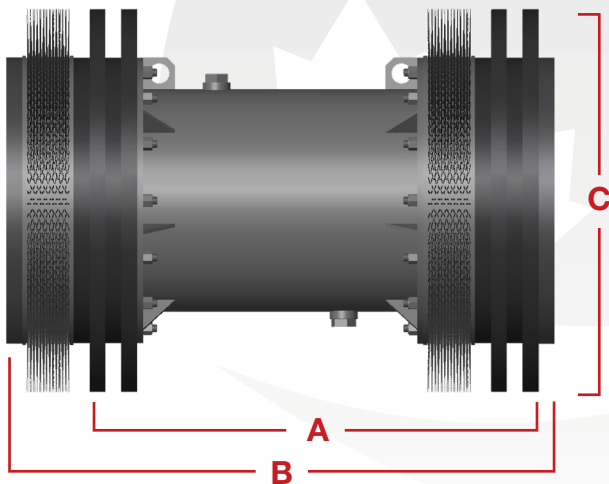
Options Available:

- CARVER discs. See page 5-20 for additional information.
- Aluminum Gauge Plates in standard or slotted styles. See page 6-4 for additional information.
- Radial Brush options available. See page 5-23 for additional information.
- Magnets to collect metallic debris. See page 6-2 for additional information.

EDR

16-48" (406-1219mm)

The EDR is equipped with sturdy circular flange brushes that forcefully scrub away residue and debris. The EDR provides a moderate cleaning before pipeline testing leaving it ready for assessment. The EDR is also functions as a bidirectional pig.



Size	A	B	C	Part #
16"	19.000	25.000	15.875	60-7150-16
18"	21.000	27.000	17.875	60-7150-18
20"	23.375	29.500	20.000	60-7150-20
22"	25.625	31.750	22.000	60-7150-22
24"	28.000	34.250	24.125	60-7150-24
26"	30.000	36.250	26.125	60-7150-26
28"	32.125	38.750	28.250	60-7150-28
30"	34.125	40.750	30.250	60-7150-30
32"	36.500	43.500	32.375	60-7150-32
34"	38.000	45.000	34.375	60-7150-34
36"	39.875	47.250	36.500	60-7150-36
42"	46.000	53.750	42.125	60-7150-42
48"	51.500	60.000	48.875	60-7150-48

Features & Benefits:

Designed to negotiate 1.5D or greater bends.

- Bidirectional without compromising sealing capabilities.
- Equipped with four sealing discs, made from Reliathane, Apache's special blend of wear-resistant polyurethane.
- Equipped with radial flange brushes for additional cleaning power.
- Every EDR 16" – 48" pig is manufactured with by-pass ports. These ports feature threaded plugs that can be removed.
- Standard bumper noses cushion the pig and help to protect in-line auxiliary equipment.

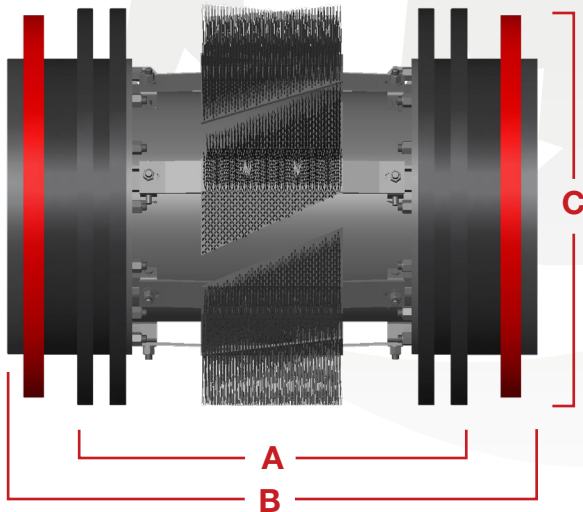
Options Available:

- CARVER discs. See page 5-20 for additional information.
- Aluminum Gauge Plates in standard styles or slotted styles. See page 6-4 for additional information.
- Radial and Block Brush options available. See pages 5-23 to 5-26 for additional information.
- Magnets to collect metallic debris. See page 6-2 for additional information.
- Transmitter Cavity to accommodate electronic tracking equipment. See page 6-5 for additional information.
- Rattlers. See page 6-5 for additional information.

EDX

16-48" (406-1219mm)

The EDX provides one of the most aggressive cleans while offering bidirectional capabilities. Forcefully scrub away residue and debris from the pipe wall and have your lines ready for assessment. The four sealing, two guide discs form a quadruple seal that virtually eliminates any product bypass.



Size	A	B	C	Part #
16"	18.000	25.250	15.875	60-7228-16
18"	18.000	25.250	17.875	60-7228-18
20"	23.000	31.000	20.000	60-7228-20
22"	26.250	34.250	22.000	60-7228-22
24"	27.750	36.250	24.125	60-7228-24
26"	27.750	36.250	26.125	60-7228-26
28"	27.750	37.500	28.125	60-7228-28
30"	29.750	39.500	30.250	60-7228-30
32"	32.000	42.750	32.375	60-7228-32
34"	33.500	44.250	34.375	60-7228-34
36"	35.250	47.000	36.500	60-7228-36
42"	41.250	54.250	42.125	60-7228-42
48"	46.500	61.750	48.875	60-7228-48

Features & Benefits:

Designed to negotiate 3D and greater bends.

- Equipped four sealing and two guide discs. Made from Reliathane, Apache's special blend of wear-resistant polyurethane.
- Every EDX 16" – 48" pig is manufactured with by-pass ports. These ports feature threaded plugs that can be removed.
- Standard bumper noses cushion the pig and help to protect in-line auxiliary equipment.

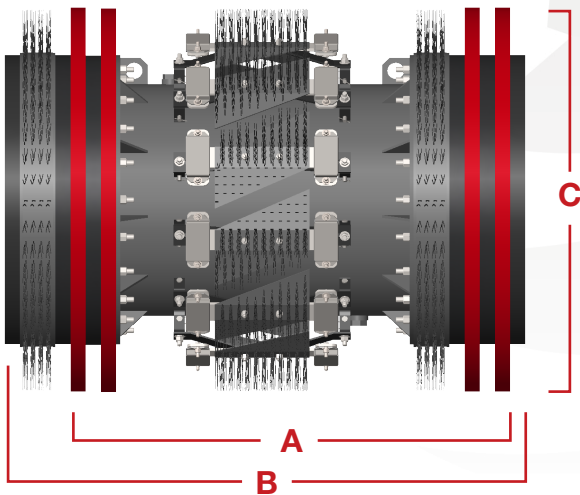
Options Available:

- CARVER discs. See page 5-20 for additional information.
- Aluminum Gauge Plates in standard styles or slotted styles. See page 6-4 for additional information.
- Radial and Block Brush options available. See pages 5-23 to 5-26 for additional information.
- Magnets to collect metallic debris. See page 6-2 for additional information.
- Transmitter Cavity to accommodate electronic tracking equipment. See page 6-5 for additional information.
- Rattlers. See page 6-5 for additional information
- Urethane Plow Blades – See page 6-21 for additional information.

EDXR

16-48" (406-1219mm)

The EDXR is one of the most aggressive bi-directional cleaning pig Apache has to offer. Available in single body or dual body configuration, the EDXR consists of four sealer discs, two RB brushes, XB brush, and two rows of magnets. The sturdy brushes forcefully scrub away residue and debris to aggressively clean the line before testing.



Size	A	B	C	Part #
16"	22.000	28.000	15.875	60-7350-16
18"	22.000	28.000	17.875	60-7350-18
20"	27.125	33.250	20.000	60-7350-20
22"	30.375	36.500	22.000	60-7350-22
24"	32.000	38.250	24.125	60-7350-24
30"	34.125	40.750	30.250	60-7350-30
36"	39.875	47.250	36.500	60-7350-36
42"	46.000	53.750	42.125	60-7350-42
48"	51.500	60.000	48.875	60-7350-48

Designed to negotiate 3D or greater bends.

Options Available:

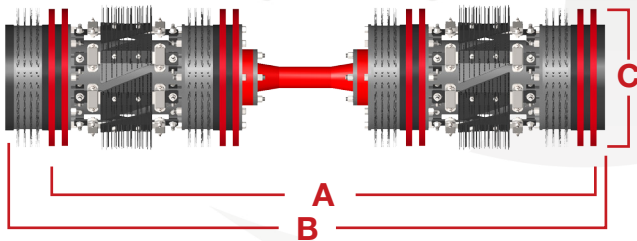
- CARVER discs. See page 5-20 for additional information.
- Aluminum Gauge Plates in standard styles or slotted styles. See page 6-4 for additional information.
- Radial and Block Brush options available. See pages 5-23 to 5-26 for additional information.
- Magnets to collect metallic debris. See page 6-2 for additional information.
- Transmitter Cavity to accommodate electronic tracking equipment. See page 6-5 for additional information.
- Rattlers. See page 6-5 for additional information.

EDXR Dual Body

16-48" (406-1219mm)

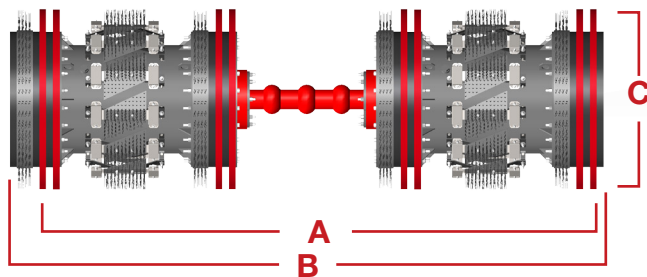
The EDXR is one of the most aggressive cleaning pig Apache has to offer. Available in single body or dual body configuration, the EDXR consists of four sealer discs, two RB brushes, XB brush, and two rows of magnets. The sturdy brushes forcefully scrub away residue and debris to aggressively clean the line before testing.

EDXR DUAL BODY SMALL



Size	A	B	C	Part #
16"	63.250	69.250	15.875	60-7390-16
18"	63.250	69.250	17.875	60-7390-18
20"	73.625	79.750	20.000	60-7390-20
22"	80.125	86.250	22.000	60-7390-22
24"	83.500	89.750	24.125	60-7390-24

EDXR DUAL BODY LARGE



Size	A	B	C	Part #
30"	101.500	108.125	30.250	60-7390-30
36"	113.250	120.625	36.500	60-7390-36
42"	125.625	133.375	42.125	60-7390-42
48"	136.875	145.875	48.875	60-7390-48

Designed to negotiate 3D or greater bends.

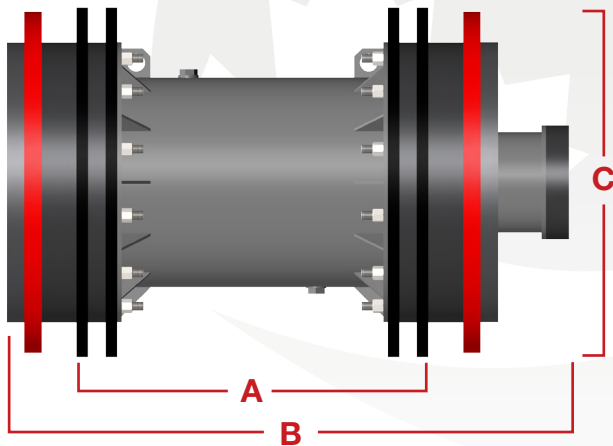
Options Available:

- CARVER discs. See page 5-20 for additional information.
- Aluminum Gauge Plates in standard styles or slotted styles. See page 6-4 for additional information.
- Radial and Block Brush options available. See pages 5-23 to 5-26 for additional information.
- Magnets to collect metallic debris. See page 6-2 for additional information.
- Transmitter Cavity to accommodate electronic tracking equipment. See page 6-5 for additional information.
- Rattlers. See page 6-5 for additional information.

MDK

16-48" (406-1219mm)

The rugged MDK pig features an inner and outer mandrel. The inner mandrel withstands the battering inflicted during the construction process, leaving the exterior disc carrying mandrel untouched. Equipped with two guide discs and four sealing discs, the MDK has quadruple the sealing capability. The MDK is a pig preferred by mainline contractors.



Size	A	B	C	Part #
16"	15.000	28.250	16.000	70-7776-16
20"	19.000	34.750	20.000	70-7776-20
24"	23.000	38.500	24.000	70-7776-24
30"	30.250	48.375	30.000	70-7776-30
36"	35.000	52.500	36.000	70-7776-36
42"	41.500	65.625	41.125	70-7776-42
48"	49.500	76.625	49.000	70-7776-48

Designed to negotiate 1.5D or greater bends

*Please note - all MDK pigs/components are on a metric bolt pattern.

Features & Benefits:

- Equipped four sealing and two guide discs. Made from Reliathane, Apache's special blend of wear-resistant polyurethane.
- Every MDK 16" – 48" pig is manufactured with by-pass ports. These ports feature threaded plugs that can be removed.
- Standard bumper noses cushion the pig and help to protect in-line auxiliary equipment.

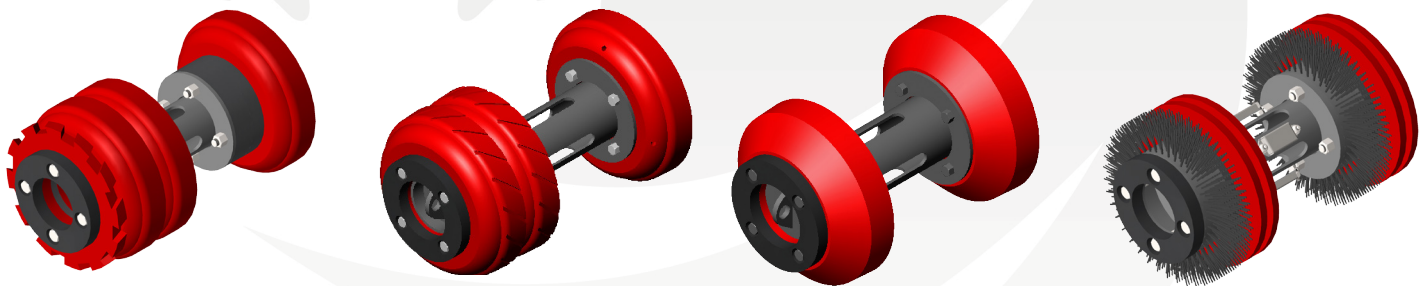
Options Available:

- CARVER discs. See page 5-20 for additional information.
- Aluminum Gauge Plates in standard styles or slotted styles. See page 6-4 for additional information.
- Radial and Block Brush options available. See pages 5-23 to 5-26 for additional information.
- Magnets to collect metallic debris. See page 6-2 for additional information.
- Transmitter Cavity to accommodate electronic tracking equipment. See page 6-5 for additional information.
- Rattlers. See page 6-5 for additional information

UT Mandrel Option

6-14" (52-356mm)

The UT mandrel is designed to house a transmitter located in the center of the slotted universal mandrel. It can also accommodate virtually any configuration of cup, disc and brush. This allows the pig to clean and batch many dissimilar fluids.



Features & Benefits:

- The UT is the only small diameter steel mandrel pig we manufacture that features a transmitter cavity in the middle of the mandrel to accommodate electronic pig tracking equipment.
- Standard bumper noses cushion the pig and help to protect in-line auxiliary equipment, preventing damage.
- To maximize durability, all discs are made from Reliathane, Apache's special blend of wear-resistant polyurethane.

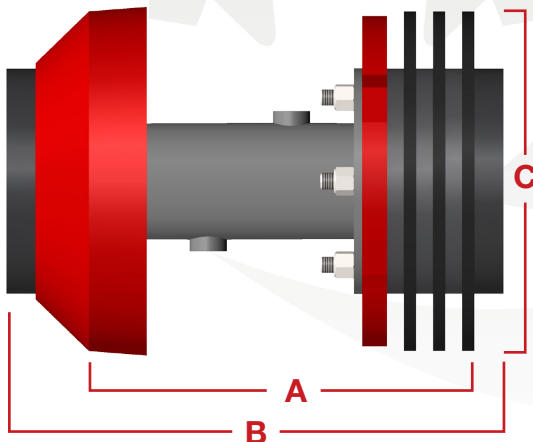
Options Available:

- CARVER discs. See page 5-20 for additional information.
- Aluminum Gauge Plates in standard or slotted styles. See page 6-4 for additional information.
- Radial Brush options available. See page 5-23 for additional information.
- Magnets to collect metallic debris. See page 6-2 for additional information.

UT-FP

8-14" (203-356mm)

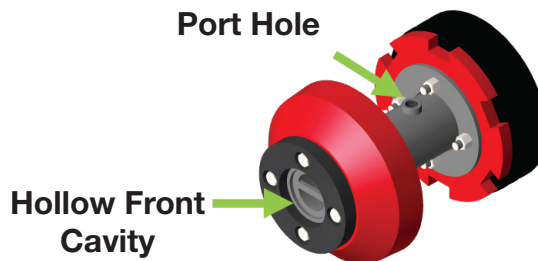
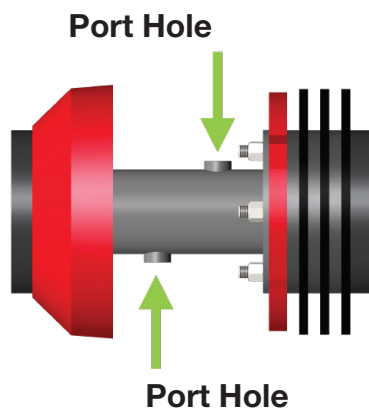
The UT-FP filming pig was designed to apply a film of inhibitor with 360-degree coverage on the interior pipe wall. The UT-FP features a hollow front mandrel with two port holes located on either side. The inhibitor becomes trapped between the front conical cup and the back three soft filming discs and support disc, leaving a film of inhibitor.



Size	A	B	C	Part #
8"	11.400	13.510	TBD	70-5801-08
10"	14.060	14.940	TBD	70-5801-10
12"	15.100	17.820	TBD	70-5801-12
14"	17.230	20.070	TBD	70-5801-14

*TBD - Determined by the Wall Thickness(es)/ ID of the pipeline.

Designed to negotiate 1.5D or greater bends



Inhibitor travels through the hollow front mandrel and two port holes located on either side of the mandrel, ultimately leaving a film of protective corrosion inhibitor on the pipe wall.

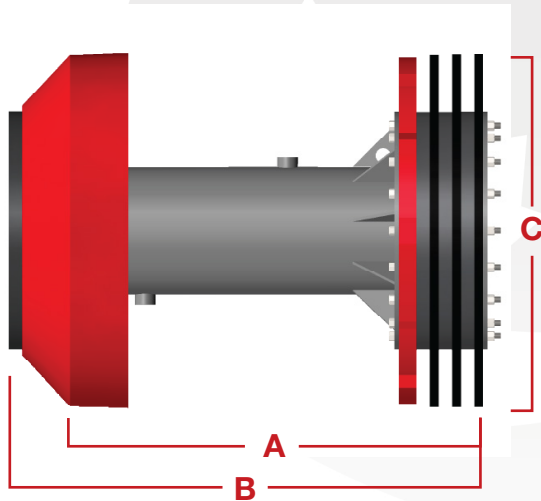
Check
out our
videos!



UM-FP

16-42" (406-1067mm)

The 16-42" UM Filming pig features a hollow front mandrel with two port holes in the center of the mandrel. This allows inhibitor to travel through the hollow front mandrel and two port holes located on either side. Inhibitor becomes trapped between the front conical cup, back three soft filming discs and support disc, leaving a film of inhibitor.

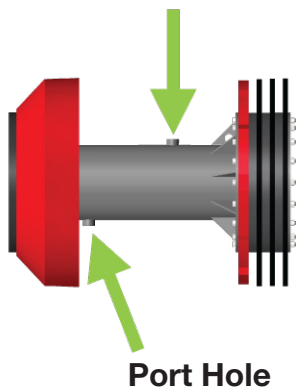


Size	A	B	C	Part #
16"	21.340	24.760	TBD	70-5801-16
20"	25.057	29.260	TBD	70-5801-20
22"	28.491	32.763	TBD	70-5801-22
24"	28.330	33.080	TBD	70-5801-24
30"	34.860	40.390	TBD	70-5801-30
36"	44.386	51.275	TBD	70-5801-36
42"	50.534	58.146	TBD	70-5801-42

*TBD - Determined by the Wall Thickness(es)/ ID of the pipeline.

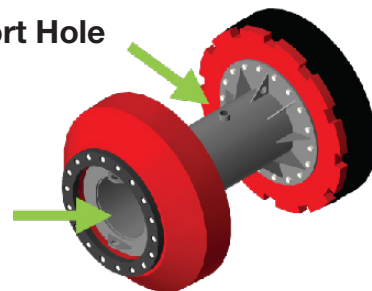
Designed to negotiate 1.5D or greater bends

Port Hole



Port Hole

Hollow Front Cavity



Inhibitor travels through the hollow front mandrel and two port holes located on either side of the mandrel, ultimately leaving a film of protective corrosion inhibitor on the pipe wall.

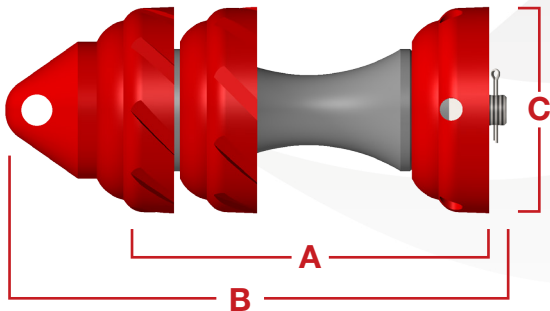
Check out our videos!



JC3

2-4" (76-102mm)

The JC3 combines all of the advantages of the Apache Series C cup with the force of jetting action, essentially power-washing the pipeline. The grooves in the cup's surface create five times the cleaning surface making it possible to jet away suspending and stubborn wax, sand or other debris.



Size	A	B	C	Part #
2"	4.000	5.875	2.125	70-4803-02
3"	5.875	8.250	3.375	70-4803-03
4"	7.125	10.125	4.375	70-4803-04

Designed to negotiate 3D or greater bends.

Features & Benefits:

- Every JC pig is equipped with two JC Series cups and one rear ported Series C cup. These cups are made with Reliathane, Apache's special blend of wear-resistant polyurethane.
- Jetted cups are very effective in low flow applications.

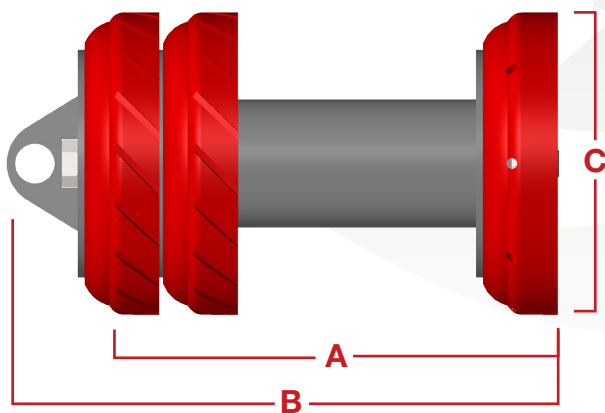
Options Available:

- Aluminum Gauge Plates in standard style. See page 6-4 for additional information.
- Radial Brush available in 3" and 4". See page (pitPRO) 5-24 for additional information.

JC3

6-14" (152-356mm)

The JC3 combines all of the advantages of the Apache Series C cup with the force of jetting action, essentially power-washing the pipeline. The grooves in the cup's surface create five times the cleaning surface making it possible to jet away suspending and stubborn wax, sand or other debris.



Size	A	B	C	Part #
6"	10.038	13.705	6.375	70-4803-06
8"	12.547	16.205	8.500	70-4803-08
10"	15.619	19.422	10.625	70-4803-10
12"	20.250	22.740	12.750	70-4803-12
14"	21.544	25.850	13.875	70-4803-14

Designed to negotiate 1.5D or greater bends.

Features & Benefits:

- Every JC pig is equipped with two JC Series cups and one rear ported Series C cup. These cups are made with Reliathane, Apache's special blend of wear-resistant polyurethane.
- Jetted cups are very effective in low flow applications.

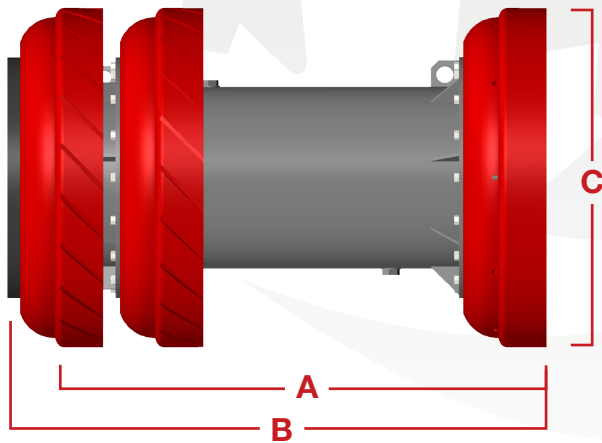
Options Available:

- Aluminum Gauge Plates in standard or slotted styles. See page 6-4 for additional information.
- Radial Brush options available. See page 5-23 for additional information.
- Magnets to collect metallic debris. See page 6-2 for additional information.

JC3

16-48" (406-1219mm)

The JC3 combines all of the advantages of the Apache Series C cup with the force of jetting action, essentially power-washing the pipeline. The grooves in the cup's surface create five times the cleaning surface making it possible to jet away suspending and stubborn wax, sand or other debris.



Size	A	B	C	Part #
16"	24.385	27.362	16.000	70-4803-16
18"	25.934	29.133	17.875	70-4803-18
20"	28.935	32.390	19.875	70-4803-20
22"	31.664	35.400	21.875	70-4803-22
24"	34.490	38.200	23.875	70-4803-24
26"	37.151	41.369	25.875	70-4803-26
28"	41.145	45.325	28.000	70-4803-28
30"	43.047	47.656	29.875	70-4803-30
32"	45.380	49.940	32.000	70-4803-32
34"	47.540	52.110	34.000	70-4803-34
36"	49.708	54.764	36.000	70-4803-36
42"	57.302	62.419	42.188	70-4803-42
48"	62.424	68.184	48.250	70-4803-48

Designed to negotiate 1.5D or greater bends.

Features & Benefits:

- Every JC pig is equipped with two JC Series cups and one rear ported Series C cup. These cups are made with Reliathane, Apache's special blend of wear-resistant polyurethane.
- Jetted cups are very effective in low flow applications.
- Every JC 16" – 48" pig is manufactured with by-pass ports. These ports feature threaded plugs that can be removed.
- Standard bumper noses cushion the pig and help to protect in-line auxiliary equipment.

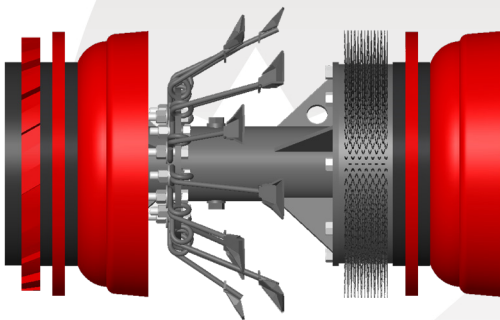
Options Available:

- Aluminum Gauge Plates in standard styles or slotted styles. See page 6-4 for additional information.
- Radial and Block Brush options available. See pages 5-23 to 5-26 for additional information.
- Magnets to collect metallic debris. See page 6-2 for additional information.
- Transmitter Cavity to accommodate electronic tracking equipment. See page 6-5 for additional information.
- Rattlers. See page 6-5 for additional information

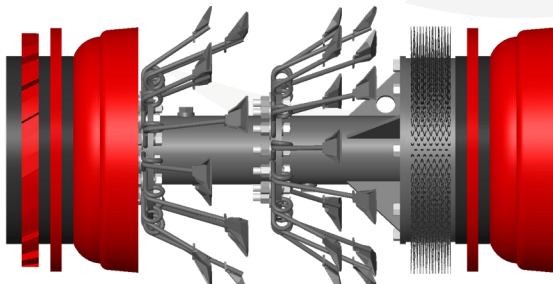
Knife Pig 3D & 5D

16-48" (406-1219mm)

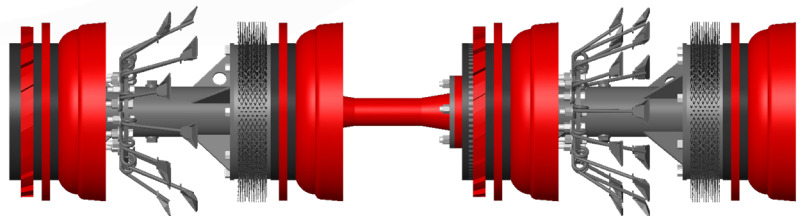
Heavy Duty durable metal/carbide scraping knives provide the ultimate clean. Individually mounted knives distribute force evenly to the pipe wall. 3D tools provide about 70% knife coverage cleaning coverage.



3D Tool
(One Row of Knives, 70% Coverage)



5D Tool
(Two Rows of Knives, 100% Coverage)



Dual Body

Features & Benefits:

- Extremely aggressive cleaning/scraping
- 3D tools provide about 70% knife coverage
- Single row provides 3D capabilities
- CARVER discs. See page 5-20 for additional information.
- Radial Brush. See page 5-23 for additional information.

Options Available:

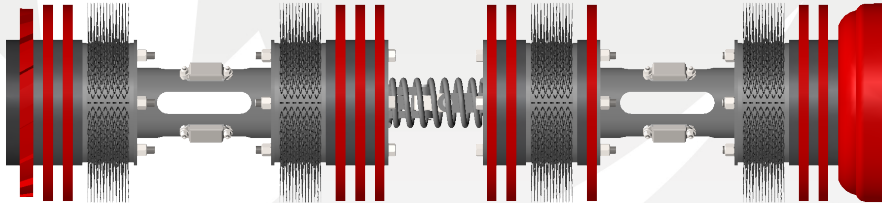
- Aluminum Gauge Plates in standard styles or slotted styles. See page 6-4 for additional info.
- Magnets to collect metallic debris. See page 6-2 for additional information.
- Transmitter Cavity to accommodate electronic tracking equipment.
- Rattlers. See page 6-5 for additional information
- Knuckle joint to tether two pigs.

Dual Body Configuration

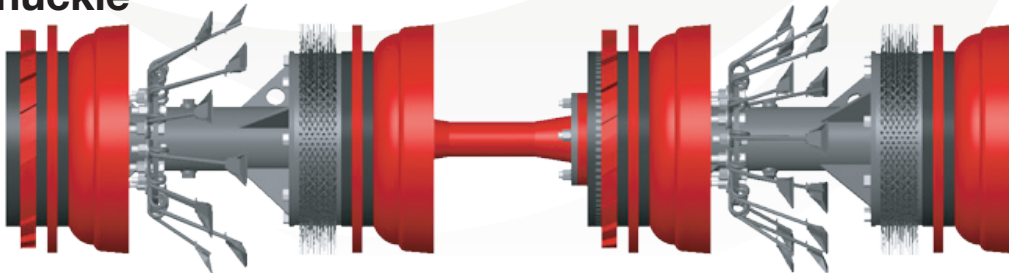
6-48" (203-1219mm)

Apache offers a dual body configuration on steel body pigs ranging from 8" to 48". Apache knuckle joints change in style based on the diameter of the pig. A dual body configuration provides double the cleaning capabilities with a single run and ensures both pigs are held together as they travel through the pipeline.

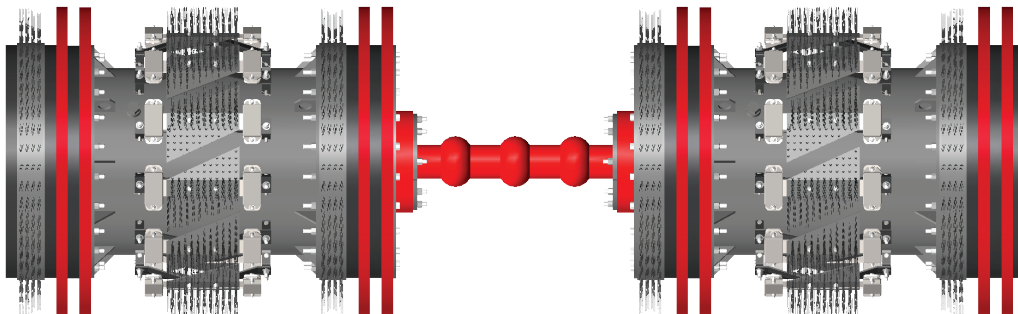
6"-14" Knuckle



16"-24" Knuckle



30"-48" Knuckle



Knuckle style changes based on the size of pig.