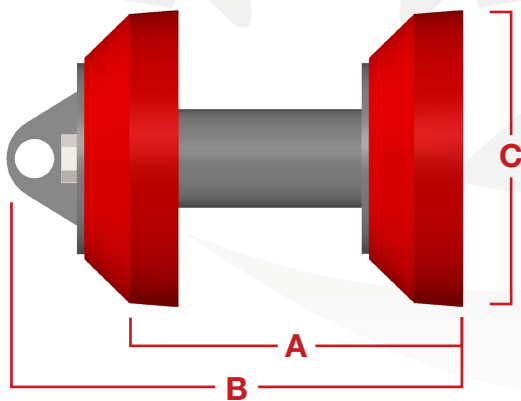


UM2

6-14" (152-356mm)

The two-cup design of the UM2 provides a positive seal between fluids for efficient batching. The UM2 is also capable of providing a light clean to the interior pipe wall.



Size	A	B	C	Part #
6"	7.220	10.590	6.500	70-5802-06
8"	9.490	13.100	8.380	70-5802-08
10"	11.810	16.170	10.500	70-5802-10
12"	13.070	17.670	12.500	70-5802-12
14"	15.470	20.180	14.000	70-5802-14

Designed to negotiate 1.5D or greater bends.

Features & Benefits:

- Equipped with two Apache Series M cups made from Reliathane, Apache's special blend of wear-resistant polyurethane.
- The Conical M cup can traverse pipeline anomalies of up to 20% without damaging inline auxiliary equipment.

Options Available:

- CARVER discs. See page 5-20 for additional information.
- Aluminum Gauge Plates in standard or slotted styles. See page 6-4 for additional information.
- Radial Brush options available. See page 5-23 for additional information.
- Magnets to collect metallic debris. See page 6-2 for additional information.