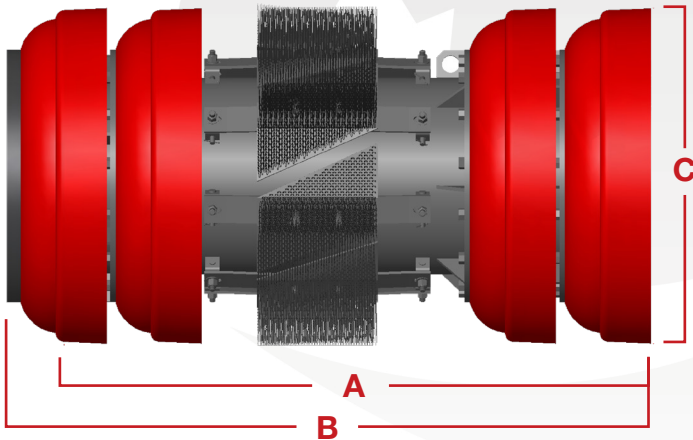


UC4X

16-48" (406-1219mm)

The UC4X performs aggressively as it is equipped with block brushes to clean and scrape pipelines. The four-cup design of the UC4X provides an aggressive level of clean while the brushes assist in ensuring the removal of rust, scale and other contaminants adhering to the pipe wall.



Size	A	B	C	Part #
16"	29.560	32.520	16.000	60-3524-16
18"	31.230	34.410	17.875	60-3524-18
20"	36.960	40.041	19.875	60-3524-20
22"	37.190	40.950	21.880	60-3524-22
24"	41.270	44.980	23.880	60-3524-24
26"	44.430	48.650	25.875	60-3524-26
28"	47.920	52.180	28.000	60-3524-28
30"	51.840	56.480	29.875	60-3524-30
32"	54.130	58.820	32.000	60-3524-32
34"	56.470	61.040	34.000	60-3524-34
36"	58.670	63.790	36.000	60-3524-36
42"	66.750	72.100	42.188	60-3524-42
48"	72.970	78.900	47.750	60-3524-48

Designed to negotiate 3D or greater bends.

Features & Benefits:

- Equipped with Series C cups made from Reliathane, Apache's special blend of wear-resistant polyurethane.
- Large wearing surface of the cup promotes longer life while the edge holds firmly against the pipe wall.
- Every UC 16" – 48" pig is manufactured with by-pass ports. These ports feature threaded plugs that can be removed.
- Standard bumper noses cushion the pig and help to protect in-line auxiliary equipment.

Options Available:

- CARVER discs. See page 5-20 for additional information.
- Aluminum Gauge Plates in standard styles or slotted styles. See page 6-4 for additional information.
- Radial and Block Brush options available. See pages 5-23 to 5-26 for additional information.
- Magnets to collect metallic debris. See page 6-2 for additional information.
- Transmitter Cavity to accommodate electronic tracking equipment. See page 6-5 for additional information.
- Urethane Plow Blades. Designed to replace XB Brush. See page 5-21.