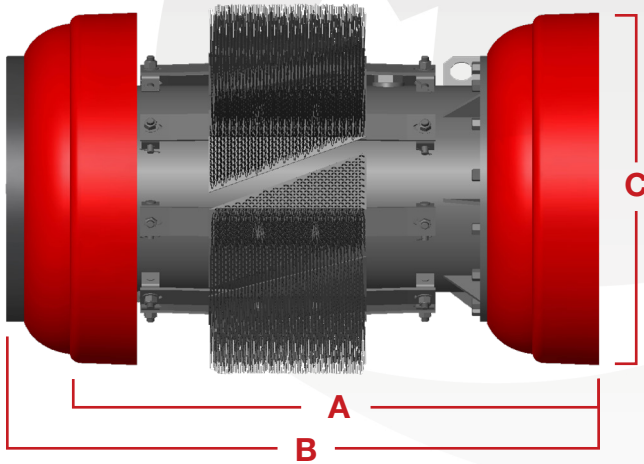


UC2X

16-48" (406-1219mm)

The UC2X performs aggressively as it is equipped with block brushes to clean and scrape pipelines. The two-cup design of the UC2X provides a basic level of clean while the brushes assist in ensuring the removal of rust, scale and other contaminants adhering to the pipe wall.



Size	A	B	C	Part #
16"	19.052	22.020	16.000	60-3522-16
18"	20.463	23.645	17.875	60-3522-18
20"	24.911	28.370	19.875	60-3522-20
22"	25.088	28.850	21.875	60-3522-22
24"	27.714	31.428	23.875	60-3522-24
26"	29.875	34.093	25.875	60-3522-26
28"	32.222	36.475	28.000	60-3522-28
30"	34.181	38.830	29.880	60-3522-30
32"	36.370	41.060	32.000	60-3522-32
34"	38.610	43.180	34.000	60-3522-34
36"	40.621	45.740	36.000	60-3522-36
42"	47.386	52.740	42.190	60-3522-42
48"	51.531	57.470	47.750	60-3522-48

Features & Benefits:

Designed to negotiate 3D or greater bends.

- Equipped with Series C cups made from Reliathane, Apache's special blend of wear-resistant polyurethane.
- Large wearing surface of the cup promotes longer life while the edge holds firmly against the pipe wall.
- Equipped with circular brushes.
- Every UC 16" – 48" pig is manufactured with by-pass ports. These ports feature threaded plugs that can be removed.
- Standard bumper noses cushion the pig and help to protect in-line auxiliary equipment.

Options Available:

- CARVER discs. See page 5-20 for additional information.
- Aluminum Gauge Plates in standard styles or slotted styles. See page 6-4 for additional information.
- Radial and Block Brush options available. See pages 5-23 to 5-26 for additional information.
- Magnets to collect metallic debris. See page 6-2 for additional information.
- Transmitter Cavity to accommodate electronic tracking equipment. See page 6-5 for additional information.
- Urethane Plow Blades. Designed to replace XB Brush. See page 5-21.