

LIGHT CLEANING

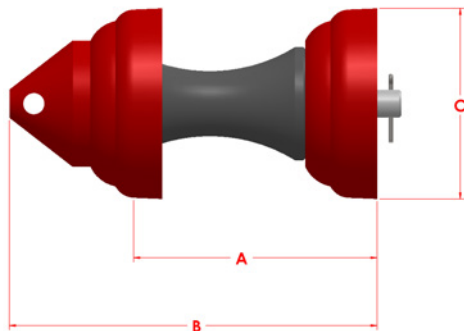
UC2

2-4" (51-102mm)

The Series UC2 pig is another great example of how Apache provides the pipeline industry with tools that get the job done.

Let's face it, during the construction phase, it can be a messy business, so it's important that the pipeline interior be kept clean throughout the process. Apache developed the Series UC just for this purpose. The Series UC is primarily used for light cleaning during the construction phase and can be used in all phases of pipeline cleaning.

At times it's necessary to clean a line more rigorously, which requires additional cups. With this in mind, the Series UC is available in three versions. The two-cup design of the UC2 pig provides a basic level of light cleaning capability. With each additional cup, the Series UC pig cleans more rigorously. Therefore, the UC3 three-cup and UC4 four-cup design pigs are progressively more effective cleaning tools. They are used to lightly clean pipelines, and are typically used for longer distances.



Size	A	B	C	Weight	Part #
2"	3.00	4.375	2.125	1.0	70-3802-02
3"	4.250	6.500	3.375	2.0	70-3802-03
4"	5.500	8.250	4.375	3.0	70-3802-04

Features & Benefits:

- Every Series UC pig is equipped with Apache Series C cups. As with all of Apache products, the Series C cup was specifically developed to perform, efficiently and reliably. To enhance durability, it's made from Reliathane, Apache's special blend of wear-resistant polyurethane.
- The large wearing surface of the cup promotes longer life, while product pressure holds the cutting edge firmly against the pipe wall.

Designed to negotiate 1.5D bends, the Series UC2 pig moves reliably through piping systems.

Options Available:

- CARVER discs.
- Aluminum gauge plates in standard styles.
- Three (UC3) and four cup (UC4) configurations.
- Magnets can be used to either collect ferrous and other construction debris, or they can be used to provide a change in magnetic field required by non-intrusive pig signaler detection devices.

LIGHT CLEANING

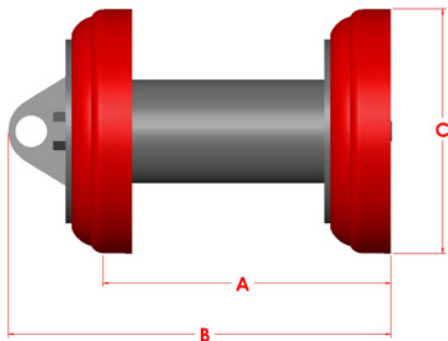
UC2

6-14" (152-356mm)

The Series UC2 pig is another great example of how Apache provides the pipeline industry with tools that get the job done.

Let's face it, during the construction phase, it can be a messy business, so it's important that the pipeline interior be kept clean throughout the process. Apache developed the Series UC just for this purpose. The Series UC is primarily used for light cleaning during the construction phase and can be used in all phases of pipeline cleaning.

At times it's necessary to clean a line more rigorously, which requires additional cups. With this in mind, the Series UC is available in three versions. The two-cup design of the UC2 pig provides a basic level of light cleaning capability. With each additional cup, the Series UC pig cleans more rigorously. Therefore, the UC3 three-cup and UC4 four-cup design pigs are progressively more effective cleaning tools. They are used to lightly clean pipelines, and are typically used for longer distances.



Size	A	B	C	Weight	Part #
6"	7.750	11.750	6.375	11	70-3802-06
8"	10.125	14.000	8.500	20	70-3802-08
10"	12.500	16.750	10.625	35	70-3802-10
12"	15.000	19.000	12.500	46	70-3802-12
14"	17.375	21.000	13.875	54	70-3802-14

Features & Benefits:

- Every Series UC pig is equipped with Apache Series C cups. As with all of Apache products, the Series C cup was specifically developed to perform, efficiently and reliably. To enhance durability, it's made from Reliathane, Apache's special blend of wear-resistant polyurethane.
- The large wearing surface of the cup promotes longer life, while product pressure holds the cutting edge firmly against the pipe wall.

Designed to negotiate 1.5D bends, the Series UC2 pig moves reliably through piping systems.

Options Available:

- CARVER discs.
- UT Mandrel to accommodate electronic tracking equipment.
- Aluminum gauge plates in standard styles.
- Three (UC3) and four cup (UC4) configurations.
- Magnets can be used to either collect ferrous and other construction debris, or they can be used to provide a change in magnetic field required by non-intrusive pig signaler detection devices.

LIGHT CLEANING

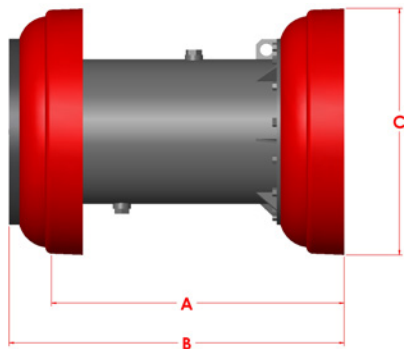
UC2

16-48" (406-1219mm)

The Series UC2 pig is another great example of how Apache provides the pipeline industry with tools that get the job done.

Let's face it, during the construction phase, it can be a messy business, so it's important that the pipeline interior be kept clean throughout the process. Apache developed the Series UC just for this purpose. The Series UC is primarily used for light cleaning during the construction phase and can be used in all phases of pipeline cleaning.

At times it's necessary to clean a line more rigorously, which requires additional cups. With this in mind, the Series UC is available in three versions. The two-cup design of the UC2 pig provides a basic level of light cleaning capability. With each additional cup, the Series UC pig cleans more rigorously. Therefore, the UC3 three-cup and UC4 four-cup design pigs are progressively more powerful cleaning tools. They are used to lightly clean pipelines, and are typically used for longer distances.



Size	A	B	C	Weight	Part #
16"	17.875	21.125	16.000	83	70-3802-16
20"	22.625	26.375	19.875	134	70-3802-20
22"	24.750	28.875	21.875	153	70-3802-22
24"	27.375	31.500	23.875	197	70-3802-24
30"	33.750	38.875	29.875	307	70-3802-30
36"	40.125	45.750	36.000	472	70-3802-36
42"	46.750	52.750	42.125	685	70-3802-42
48"	51.000	57.500	48.500	849	70-3802-48

Features & Benefits:

- Every Series UC pig is equipped with Apache Series C cups. As with all of Apache products, the Series C cup was specifically developed to perform, efficiently and reliably. To enhance durability, it's made from Reliathane, Apache's special blend of wear-resistant polyurethane.
- The large wearing surface of the cup promotes longer life, while product pressure holds the cutting edge firmly against the pipe wall.
- Every Apache UC2 16"- 48" pig is manufactured with by-pass ports. These ports feature threaded plugs that can be removed, should by-pass be required. By removing by-pass plugs, a portion of product flow is redirected through these openings. The debris is suspended in the turbulent flow and transferred ahead of the pig.
- Standard bumper noses cushion the pig and help to protect in-line auxiliary equipment, preventing damage.

Designed to negotiate 1.5D bends, the UC2 Series pig moves reliably through piping systems.

Options Available:

- CARVER discs.
- Rattlers.
- Transmitter housing to accommodate electronic tracking equipment.
- Aluminum gauge plates in slotted or standard styles.
- Magnets can be used to either collect ferrous and other construction debris, or they can be used to provide a change in magnetic field required by non-intrusive pig signaler detection devices.
- Three (UC3) and four cup (UC4) configurations.

LIGHT CLEANING

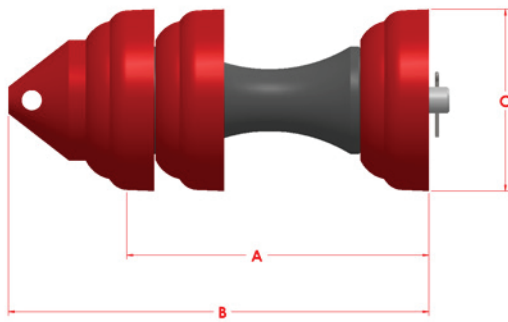
UC3

2-4" (51-102mm)

The Series UC3 pig is another great example of how Apache provides the pipeline industry with tools that get the job done.

Let's face it, during the construction phase, it can be a messy business, so it's important that the pipeline interior be kept clean throughout the process. Apache developed the Series UC just for this purpose. The Series UC is primarily used for light cleaning during the construction phase and can be used in all phases of pipeline cleaning.

At times it's necessary to clean a line more rigorously, which requires additional cups. With this in mind, the Series UC is available in three versions. The two-cup design of the UC2 pig provides a basic level of light cleaning capability. With each additional cup, the Series UC pig cleans more rigorously. Therefore, the UC3 three-cup and UC4 four-cup design pigs are progressively more powerful cleaning tools. They are used to lightly clean pipelines, and are typically used for longer distances.



Size	A	B	C	Weight	Part #
2"	3.875	5.250	2.125	1.0	70-3803-02
3"	5.625	7.825	3.375	2.0	70-3803-03
4"	7.000	9.750	4.375	3.0	70-3803-04

Features & Benefits:

- Every Series UC pig is equipped with Apache Series C cups. As with all of Apache products, the Series C cup was specifically developed to perform, efficiently and reliably. To enhance durability, it's made from Reliathane, Apache's special blend of wear-resistant polyurethane.
- The large wearing surface of the cup promotes longer life, while product pressure holds the cutting edge firmly against the pipe wall.

Designed to negotiate minimum 3D and greater bends, the UC3 pig moves reliably through piping systems.

Options Available

- CARVER discs.
- Aluminum gauge plates in standard styles.
- Magnets can be used to either collect ferrous and other construction debris, or they can be used to provide a change in magnetic field required by non-intrusive pig signaler detection devices.
- Two (UC2) and four cup (UC4) configurations.

LIGHT CLEANING

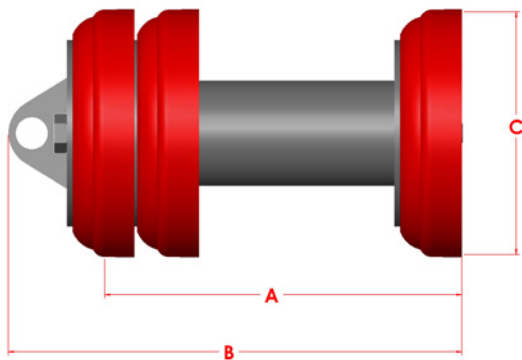
UC3

6-14" (152-356mm)

The Series UC3 pig is another great example of how Apache provides the pipeline industry with tools that get the job done.

Let's face it, during the construction phase, it can be a messy business, so it's important that the pipeline interior be kept clean throughout the process. Apache developed the Series UC just for this purpose. The Series UC is primarily used for light cleaning during the construction phase and can be used in all phases of pipeline cleaning.

At times it's necessary to clean a line more rigorously, which requires additional cups. With this in mind, the Series UC is available in three versions. The two-cup design of the UC2 pig provides a basic level of light cleaning capability. With each additional cup, the Series UC pig cleans more rigorously. Therefore, the UC3 three-cup and UC4 four-cup design pigs are progressively more powerful cleaning tools. They are used to lightly clean pipelines, and are typically used for longer distances.



Size	A	B	C	Weight	Part #
6"	9.875	13.750	6.375	15	70-3803-06
8"	11.375	15.250	8.500	26	70-3803-08
10"	15.250	19.500	10.625	47	70-3803-10
12"	18.250	22.750	12.500	64	70-3803-12
14"	21.250	25.875	13.875	75	70-3803-14

Features & Benefits:

- Every Series UC pig is equipped with Apache Series C cups. As with all of Apache products, the Series C cup was specifically developed to perform, efficiently and reliably. To enhance durability, it's made from Reliathane, Apache's special blend of wear-resistant polyurethane.
- The large wearing surface of the cup promotes longer life, while product pressure holds the cutting edge firmly against the pipe wall.

Designed to negotiate minimum 1.5D and greater bends, the UC3 pig moves reliably through piping systems.

Options Available:

- CARVER discs.
- UT Mandrel to accommodate electronic tracking equipment.
- Aluminum gauge plates in standard styles.
- Magnets can be used to either collect ferrous and other construction debris, or they can be used to provide a change in magnetic field required by non-intrusive pig signaler detection devices.
- Two (UC2) and four cup (UC4) configurations.

LIGHT CLEANING

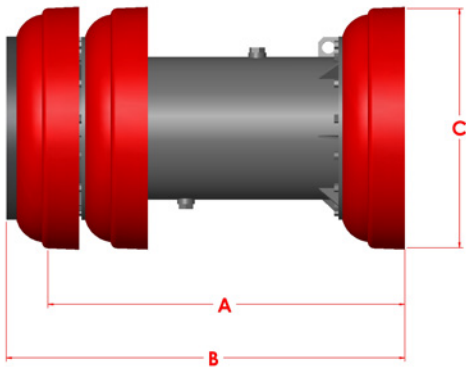
UC3

16-48" (406-1219mm)

The Series UC3 pig is another great example of how Apache provides the pipeline industry with tools that get the job done.

Let's face it, during the construction phase, it can be a messy business, so it's important that the pipeline interior be kept clean throughout the process. Apache developed the Series UC just for this purpose. The Series UC is primarily used for light cleaning during the construction phase and can be used in all phases of pipeline cleaning.

At times it's necessary to clean a line more rigorously, which requires additional cups. With this in mind, the Series UC is available in three versions. The two-cup design of the UC2 pig provides a basic level of light cleaning capability. With each additional cup, the Series UC pig cleans more rigorously. Therefore, the UC3 three-cup and UC4 four-cup design pigs are progressively more powerful cleaning tools. They are used to lightly clean pipelines, and are typically used for longer distances.



Size	A	B	C	Weight	Part #
16"	22.500	25.875	16.000	115	70-3803-16
20"	28.500	32.375	19.875	187	70-3803-20
22"	31.375	35.500	21.875	215	70-3803-22
24"	34.375	38.250	23.875	269	70-3803-24
30"	42.125	47.125	29.875	426	70-3803-30
36"	49.250	54.750	36.000	644	70-3803-36
42"	56.500	62.500	42.125	942	70-3803-42
48"	61.625	68.125	48.500	1141	70-3803-48

Features & Benefits:

- Every Series UC pig is equipped with Apache Series C cups. As with all of Apache products, the Series C cup was specifically developed to perform, efficiently and reliably. To enhance durability, it's made from Reliathane, Apache's special blend of wear-resistant polyurethane.
- The large wearing surface of the cup promotes longer life, while product pressure holds the cutting edge firmly against the pipe wall.
- Every Apache UC3 16"- 48" pig is manufactured with by-pass ports. These ports feature threaded plugs that can be removed, should by-pass be required. By removing by-pass plugs, a portion of product flow is redirected through these openings. The debris is suspended in the turbulent flow and transferred ahead of the pig.
- Standard bumper noses cushion the pig and help to protect in-line auxiliary equipment, preventing damage.

Designed to negotiate minimum 1.5D and greater bends, the UC3 pig moves reliably through piping systems.

Options Available:

- CARVER discs.
- Rattlers.
- Transmitter housing to accommodate electronic tracking equipment.
- Aluminum gauge plates in slotted or standard styles.
- Magnets can be used to either collect ferrous and other construction debris, or they can be used to provide a change in magnetic field required by non-intrusive pig signaler detection devices.
- Two (UC2) and four cup (UC4) configurations.

LIGHT CLEANING

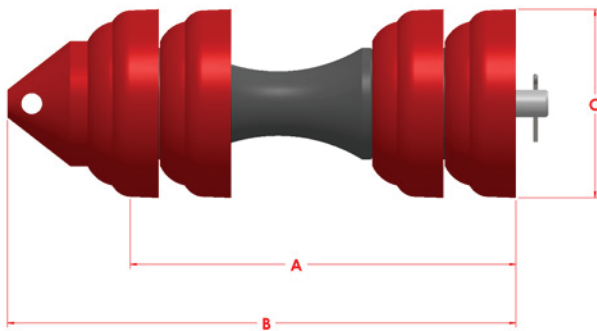
UC4

2-4" (51-102mm)

The Series UC4 pig is another great example of how Apache provides the pipeline industry with tools that get the job done.

Let's face it, during the construction phase, it can be a messy business, so it's important that the pipeline interior be kept clean throughout the process. Apache developed the Series UC just for this purpose. The Series UC is primarily used for light cleaning during the construction phase and can be used in all phases of pipeline cleaning.

At times it's necessary to clean a line more rigorously, which requires additional cups. With this in mind, the Series UC is available in three versions. The two-cup design of the UC2 pig provides a basic level of light cleaning capability. With each additional cup, the Series UC pig cleans more rigorously. Therefore, the UC3 three-cup and UC4 four-cup design pigs are progressively more powerful cleaning tools. They are used to lightly clean pipelines, and are typically used for longer distances.



Size	A	B	C	Weight	Part #
2"	4.750	6.125	2.125	1.0	70-3804-02
3"	6.875	9.125	3.375	2.0	70-3804-03
4"	8.375	11.125	4.375	3.0	70-3804-04

Features & Benefits:

- Every Series UC pig is equipped with Apache Series C cups. As with all of Apache products, the Series C cup was specifically developed to perform, efficiently and reliably. To enhance durability, it's made from Reliathane, Apache's special blend of wear-resistant polyurethane.
- The large wearing surface of the cup promotes longer life, while product pressure holds the cutting edge firmly against the pipe wall.

Designed to negotiate minimum 3D and greater bends, the UC4 pig moves reliably through piping systems.

Options Available

- CARVER discs.
- Aluminum gauge plates in standard styles.
- Magnets can be used to either collect ferrous and other construction debris, or they can be used to provide a change in magnetic field required by non-intrusive pig signaler detection devices.
- Two (UC2) and three cup (UC3) configurations.

LIGHT CLEANING

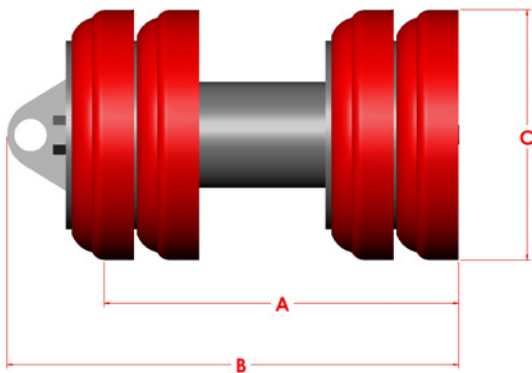
UC4

6-14" (152-356mm)

The Series UC4 pig is another great example of how Apache provides the pipeline industry with tools that get the job done.

Let's face it, during the construction phase, it can be a messy business, so it's important that the pipeline interior be kept clean throughout the process. Apache developed the Series UC just for this purpose. The Series UC is primarily used for light cleaning during the construction phase and can be used in all phases of pipeline cleaning.

At times it's necessary to clean a line more rigorously, which requires additional cups. With this in mind, the Series UC is available in three versions. The two-cup design of the UC2 pig provides a basic level of light cleaning capability. With each additional cup, the Series UC pig cleans more rigorously. Therefore, the UC3 three-cup and UC4 four-cup design pigs are progressively more powerful cleaning tools. They are used to lightly clean pipelines, and are typically used for longer distances.



Size	A	B	C	Weight	Part #
6"	8.875	12.750	6.375	18	70-3804-06
8"	12.000	15.750	8.500	32	70-3804-08
10"	14.500	18.750	10.625	56	70-3804-10
12"	18.125	22.500	12.500	78	70-3804-12
14"	21.125	25.750	13.875	91	70-3804-14

Features & Benefits:

- Every Series UC pig is equipped with Apache Series C cups. As with all of Apache products, the Series C cup was specifically developed to perform, efficiently and reliably. To enhance durability, it's made from Reliathane, Apache's special blend of wear-resistant polyurethane.
- The large wearing surface of the cup promotes longer life, while product pressure holds the cutting edge firmly against the pipe wall.

Designed to negotiate minimum 1.5D and greater bends, the UC4 pig moves reliably through piping systems.

Options Available:

- CARVER discs.
- UT Mandrel to accommodate electronic tracking equipment.
- Aluminum gauge plates in standard styles.
- Magnets can be used to either collect ferrous and other construction debris, or they can be used to provide a change in magnetic field required by non-intrusive pig signaler detection devices.
- Two (UC2) and three cup (UC3) configurations.

LIGHT CLEANING

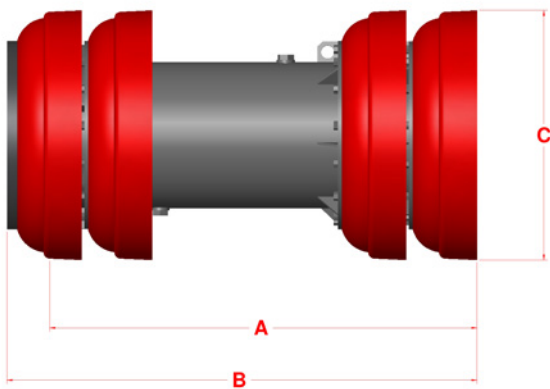
UC4

16-48" (406-1219mm)

The Series UC4 pig is another great example of how Apache provides the pipeline industry with tools that get the job done.

Let's face it, during the construction phase, it can be a messy business, so it's important that the pipeline interior be kept clean throughout the process. Apache developed the Series UC just for this purpose. The Series UC is primarily used for light cleaning during the construction phase and can be used in all phases of pipeline cleaning.

At times it's necessary to clean a line more rigorously, which requires additional cups. With this in mind, the Series UC is available in three versions. The two-cup design of the UC2 pig provides a basic level of light cleaning capability. With each additional cup, the Series UC pig cleans more rigorously. Therefore, the UC3 three-cup and UC4 four-cup design pigs are progressively more powerful cleaning tools. They are used to lightly clean pipelines, and are typically used for longer distances.



Size	A	B	C	Weight	Part #
16"	27.375	30.625	16.000	148	70-3804-16
20"	34.625	38.375	19.875	240	70-3804-20
22"	37.875	42.000	21.875	277	70-3804-22
24"	40.875	45.000	23.875	342	70-3804-24
30"	50.500	55.500	29.875	544	70-3804-30
36"	58.250	63.750	36.000	815	70-3804-36
42"	66.125	72.125	42.125	1198	70-3804-42
48"	72.375	78.875	48.500	1432	70-3804-48

Features & Benefits:

- Every Series UC pig is equipped with Apache Series C cups. As with all of Apache products, the Series C cup was specifically developed to perform, efficiently and reliably. To enhance durability, it's made from Reliathane, Apache's special blend of wear-resistant polyurethane.
- The large wearing surface of the cup promotes longer life, while product pressure holds the cutting edge firmly against the pipe wall.
- Every Apache UC4 16"- 48" pig is manufactured with by-pass ports. These ports feature threaded plugs that can be removed, should by-pass be required. By removing by-pass plugs, a portion of product flow is redirected through these openings. The debris is suspended in the turbulent flow and transferred ahead of the pig.
- Standard bumper noses cushion the pig and help to protect in-line auxiliary equipment, preventing damage.

Designed to negotiate minimum 1.5D and greater bends, the UC4 pig moves reliably through piping systems.

Options Available:

- CARVER discs.
- Rattlers.
- Transmitter housing to accommodate electronic tracking equipment.
- Aluminum gauge plates in slotted or standard styles.
- Magnets can be used to either collect ferrous and other construction debris, or they can be used to provide a change in magnetic field required by non-intrusive pig signaler detection devices.
- Two (UC2) and three cup (UC3) configurations.

1575 - 90 Ave Edmonton, AB Canada T6P 0E2

2-10 Ph: 780.416.4850 | Fax: 780.416.4829 | apachepipe.com | Email: sales@apachepipe.com

world class world wide

LIGHT CLEANING

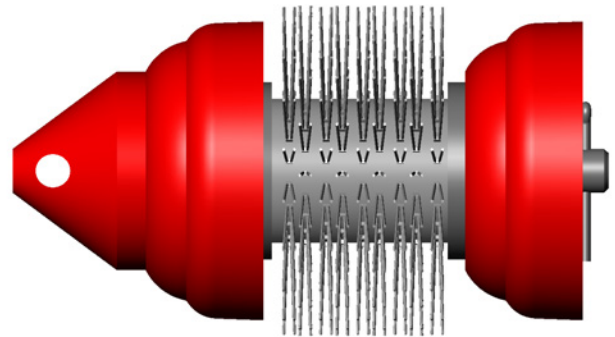
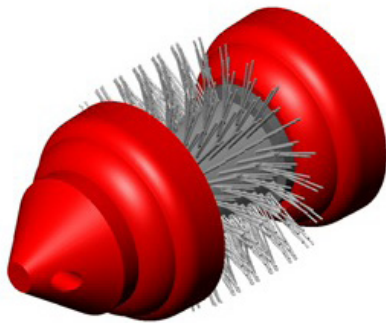
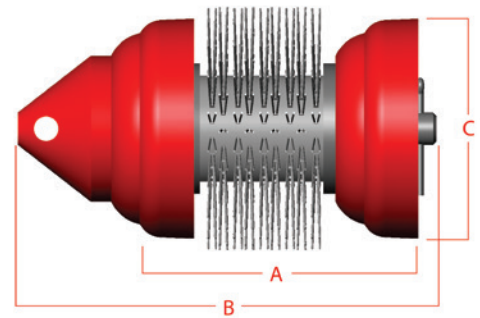
SC2A

3-4" (76-102mm)

As the saying goes, "good things come in small packages." Apache developed the Series SC2A pig to give smaller gathering lines a moderate cleaning.

The result? The line is free of debris and flow rates improve. With the cleaning capability of the pitPRO™ steel brush and ability to negotiate sharp bends, the Series SCA is an extremely efficient cleaning tool.

Size	A	B	C	Weight	Part #
3"	5.750	7.750	3.375	3.0	60-3002-03
4"	5.875	8.375	4.375	5.0	60-3002-04



Features & Benefits:

- The SC2A pig features two cups and pitPRO™ stainless steel brush.
- Every Series SCA pig is equipped with Apache Series C cups. As with all of Apache products, the Series C cup was specifically developed to perform, efficiently and reliably. To enhance durability, it's made from Reliathane, Apache's special blend of wear-resistant polyurethane.
- The large wearing surface of the cup promotes longer life, while product pressure holds the cutting edge firmly against the pipe wall.

Designed to negotiate 1.5D bends, the Series SC2A pig moves reliably through piping systems.

Options Available:

- Aluminum Mandrel.

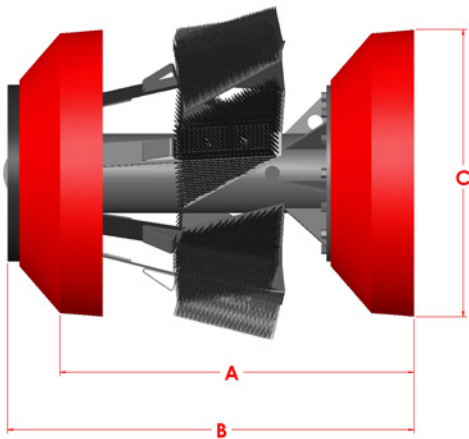
LIGHT CLEANING

UM2X

16-48" (406-1219mm)

The Series UM2X with block brush provides light cleaning during the construction phase, as well as regular pipeline operations.

How is this possible? The answer lies in the three versions of the UMX. While the two-cup design of the UM2X pig efficiently cleans and scrapes pipelines, the UM3X three-cup and UM4X four-cup design pigs. They are both used to gently clean pipelines. They are typically used for longer distance operations.



Size	A	B	C	Weight	Part #
16"	22.000	25.000	15.875	104	60-5142-16
20"	27.250	30.875	20.000	165	60-5142-20
22"	29.125	31.500	22.000	212	60-5142-22
24"	29.500	33.875	24.000	230	60-5142-24
30"	39.750	44.875	29.875	388	60-5142-30
36"	45.750	52.250	36.000	551	60-5142-36
42"	54.125	61.375	42.125	763	60-5142-42
48"	60.375	68.625	48.125	937	60-5142-48

Features & Benefits:

- Given that anomalies are a fairly common feature of a pipeline scheduled for maintenance, it's reassuring that pigs mounted with conical cups can traverse pipeline anomalies without damaging essential inline auxiliary equipment.
- Every Series UM pig is equipped with Apache Series M cups. As with all of Apache products, the Series M cup was especially developed to perform efficiently and reliably. To maximize durability, it's made from Reliathane, Apache's special blend of wear-resistant polyurethane.
- Every Apache UM2X 16"- 48" pig is manufactured with by-pass ports. These ports feature threaded plugs that can be removed, should by-pass be required. By removing the by-pass plugs, a portion of product flow is redirected through these openings. The debris is suspended in the turbulent flow and transferred ahead of the pig.
- Standard bumper noses cushion the pig and in-line auxiliary equipment, preventing damage.

Designed to negotiate 1.5D bends, the Series UM2X pig moves reliably through piping systems.

Options Available:

- Circular flange brushes or block brushes in the following types and trim materials:
 1. Trim types – flat wire or pencil.
 2. Trim material – carbon steel, stainless steel, plastic or tin-coated.
- Aluminum or steel gauging plates in slotted or standard styles.
- Transmitter housing to accommodate electronic tracking equipment.
- Magnets can be used to either collect ferrous and other construction debris, or they can be used to provide a change in magnetic field required by non-intrusive pig signaler detection devices.
- Urethane Plow Blades - Designed to replace a XB block brush, the 3-Rib urethane removes paraffin wax and similar deposits from the pipe wall that normally collect and cram between the bristles of a block brush. Our plow blade profile performs a similar function to the 3-Rib, but is used primarily for pipe sizes 16" - 18". Both blade types are also excellent tools for removing debris in non-metallic or internally coated pipe without damaging the pipe wall coating.
- Rattlers.