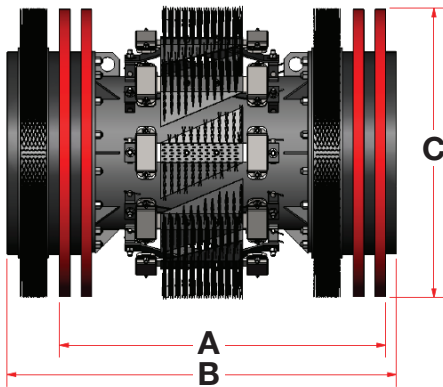


The EDX-2RB pig is a combination of the popular EDX and EDR configurations and is one of the most aggressive cleaning pig Apache offers. Available in a single body and dual body configuration (to increase cleaning capabilities), the EDX-2RB consists of four sealer discs, two RB brushes, XB brush, and two rows of magnets. The sturdy brushes forcefully scrub away residue and debris to aggressively clean the line before testing, leaving it in pristine condition, ready for assessment.

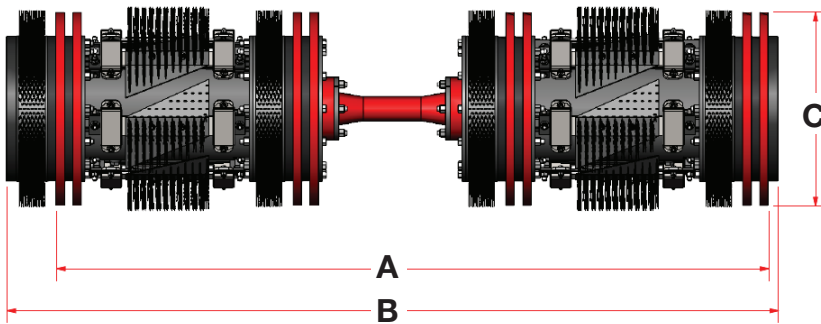
Designed to negotiate 3D bends, the EDX-2RB moves reliably through piping systems.

EDX-2RB SINGLE BODY



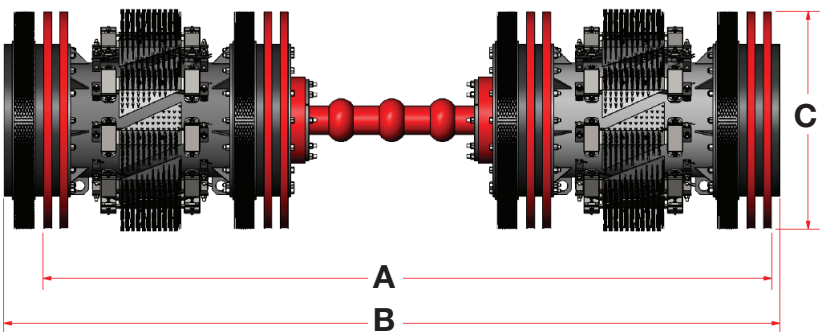
Size	A	B	C	Weight
16"	22.000"	28.000"	15.875"	185
18"	22.000"	28.000"	17.875"	240
20"	27.125"	33.250"	20.000"	314
22"	30.375"	36.500"	22.000"	369
24"	31.000"	37.250"	24.125"	444
30"	34.125"	40.750"	30.250"	651
36"	39.875"	47.250"	36.500"	949
42"	46.000"	53.750"	42.125"	1338
48"	51.500"	60.000"	48.875"	1699

EDX-2RB DUAL BODY SMALL



Size	A	B	C	Weight
16"	63.260"	69.260"	15.875"	413
18"	63.260"	69.260"	17.875"	528
20"	73.635"	79.760"	20.000"	678
22"	80.135"	86.260"	22.000"	787
24"	81.510"	87.760"	24.125"	946

EDX-2RB DUAL BODY LARGE



Size	A	B	C	Weight
30"	101.510"	108.135"	30.250"	1434
36"	113.260"	120.635"	36.500"	2061
42"	125.635"	133.385"	42.125"	2843
48"	136.885"	145.385"	48.875"	3616

Options Available:

- CARVER discs
- Aluminum gauge plates in slotted or standard styles
- Trans-Cavity
- Rattlers

