

The Series 67 pigPRO™ pig passage indicator has the added capacity of being able to be isolated from a flowing pressurized pipeline allowing it to be removed and serviced. It can also be re-installed back onto the flowing pressurized pipeline.



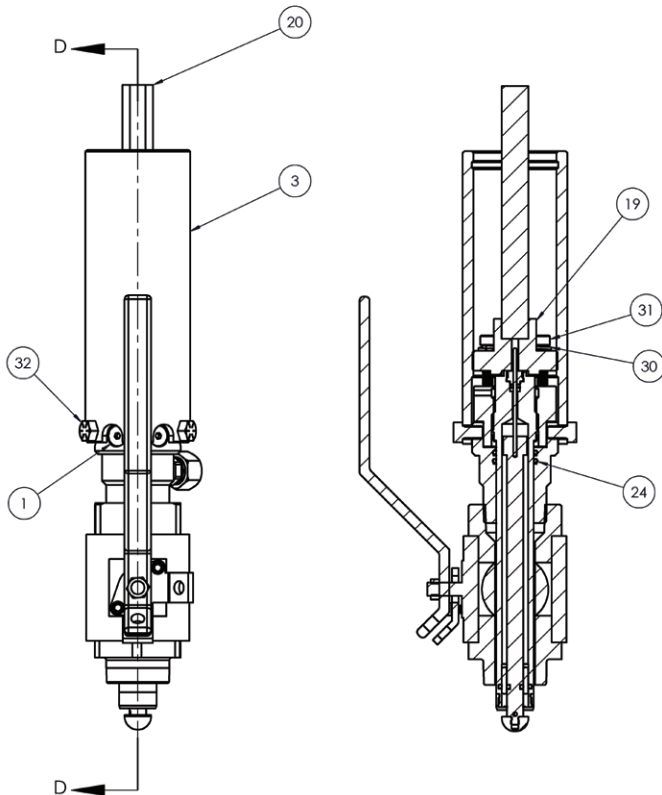
The Extraction Kit has the unique tools, fasteners, and soft goods to allow a technician to remove the Series 67 pigPRO™ and then reinstall it onto a pressurized pipeline.

The extraction kit contains custom built extraction cap and jack tube specifically designed for the series 67 pigPRO™ and a pressure relief tool. It contains required soft goods (O-Rings) that are installed in the lower housing. The kit contains fasteners, lubricant and hex key wrenches as well as spare fasteners. It is provided in an industrial case so that all parts will be available when needed.

#### Items Included in Extraction Kit:

ITEM	DESCRIPTION	QTY
1	3/8" Hex Flat Socket Head Cap Screws	2
3	Jack Tube	1
18	Extraction Cap	1
20	Hex Bar	1
24	O-Ring 221 Viton®	2
30	3/8" Lock Washers	6
31	3/8" Socket Head Cap Screws	6
32	1/2" Hex Head Cap Screws	8
	Pressure Relief Tool (PRT)	1
	Lubriplate No. 105 White Lithium Grease	1
	Hex Key Wrench Size 1/8"	1
	Hex Key Wrench Size 7/32"	1
	Hex Key Wrench Size 5/16"	1

\*Note that items 1 and 32 have a quantity of 2 designated as spare items.



**TECHNICIAN'S WRENCHES:** To extract the lower housing assembly the technician will need to turn the 1" hex bar. To do this a 24" breaker bar wrench with a 1" socket is recommended but several other wrenches will work including a large ratchet, flat wrench, crescent adjustable wrench, etc.

Hex bolts that are included have a 3/4" head so a 3/4" flat wrench or small crescent adjustable wrench is needed. As these tools are readily available, these are not included in the extraction kit and must be supplied by the technician doing the work.

