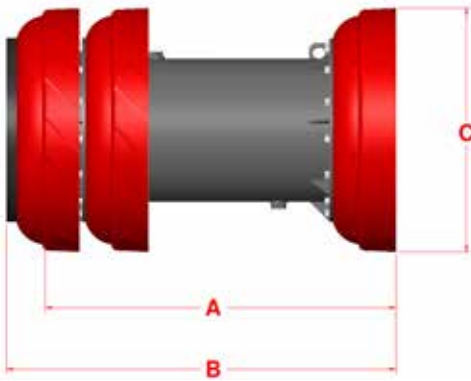


SPECIALTY

JETTED CUP

16-48" (406-1219mm)

The JC Cup is a powerful pig that provides moderate cleaning. It combines all of the advantages of the Apache Series C Cup with the force of jetting action, essentially power-washing the pipeline. The grooves in the cup's surface create five times the cleaning surface, making it possible to aim a calibrated amount of fluid to pummel the pipe wall, jetting away – and suspending – stubborn wax, sand or other debris.

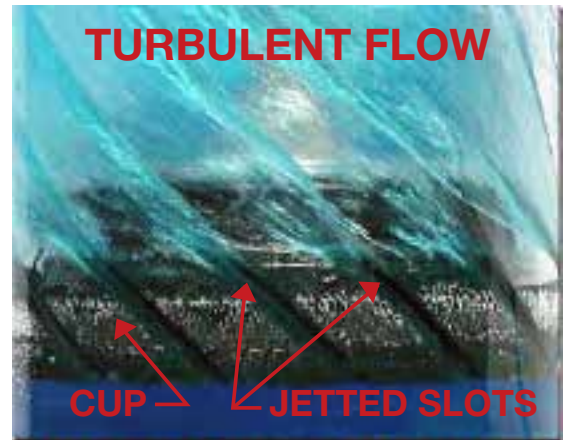


Size	A	B	C	Weight	Part #
16"	22.500	25.875	16.000	115	70-4803-16
20"	28.500	32.375	19.875	187	70-4803-20
22"	31.375	35.500	21.875	215	70-4803-22
24"	34.375	38.250	23.875	269	70-4803-24
30"	42.125	47.125	29.875	426	70-4803-30
36"	49.250	54.750	36.000	644	70-4803-36
42"	56.500	62.500	42.125	942	70-4803-42
48"	61.625	68.125	48.500	1141	70-4803-48

Features & Benefits:

- Every JC pig is equipped with two standard JC Series Cups and one rear-ported Series C Cup. This pig is very effective in low flow applications.
- Every Apache JC3 16"- 48" pig is manufactured with by-pass ports. These ports feature threaded plugs that can be removed, should by-pass be required. By removing by-pass plugs, a portion of product flow is redirected through these openings. The debris is suspended in the turbulent flow and transferred ahead of the pig.
- Standard bumper noses cushion the pig and help to protect in-line auxiliary equipment, preventing damage.

Designed to negotiate 1.5 bends, the JC3 pig moves reliably through piping systems.



Options Available:

- Circular flange brushes or block brushes in the following types and trim materials:
 1. Trim types – flat wire or pencil.
 2. Trim material – carbon steel, stainless steel, plastic, or tin-coated.
- CARVER discs.
- Aluminum gauge plates in slotted or standard styles.
- Magnets can be used to either collect ferrous and other construction debris, or they can be used to provide a change in magnetic field required by non-intrusive pig signaler detection devices.



Check out apachepipe.com/animations/ for videos on jetted cups.

1575 - 90 Ave Edmonton, AB Canada T6P 0E2

Ph: 780.416.4850 | Fax: 780.416.4829 | apachepipe.com | Email: sales@apachepipe.com

3-5

world class world wide