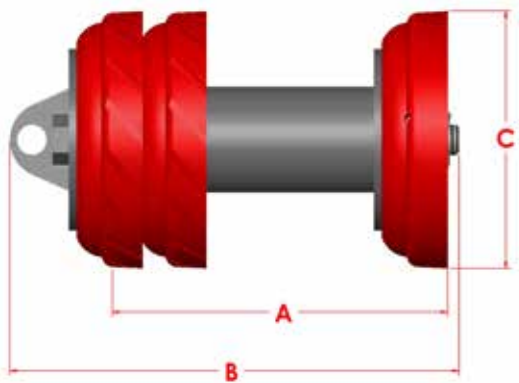


SPECIALTY

JETTED CUP

6-14" (152-356mm)

The JC Cup is a powerful pig that provides moderate cleaning. It combines all of the advantages of the Apache Series C Cup with the force of jetting action, essentially power-washing the pipeline. The grooves in the cup's surface create five times the cleaning surface, making it possible to aim a calibrated amount of fluid to pummel the pipe wall, jetting away – and suspending – stubborn wax, sand or other debris.



Size	A	B	C	Weight	Part #
6"	9.875	13.750	6.375	15	70-4803-06
8"	11.375	15.250	8.500	26	70-4803-08
10"	15.250	19.500	10.625	47	70-4803-10
12"	18.250	22.750	12.500	64	70-4803-12
14"	21.250	25.875	13.875	75	70-4803-14

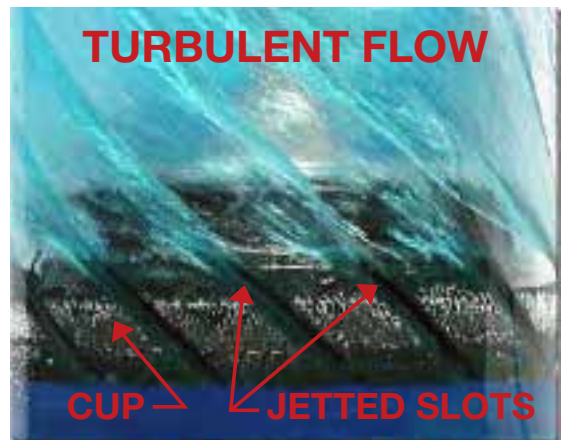
Features & Benefits:

- Every JC pig is equipped with two standard JC Series Cups and one rear-ported Series C Cup. This pig is very effective in low flow applications.
- As with all of Apache products, these cups were specifically developed to perform, efficiently and reliably.
- To maximize durability, it's made from Reliathane, Apache's special blend of wear-resistant polyurethane.

Designed to negotiate 1.5D bends, the JC3 pig moves reliably through piping systems.

Options Available:

- Circular flange brushes in various trim materials, carbon steel, stainless steel, plastic or pencil brushes.
- UT Mandrel to accommodate electronic tracking equipment.
- CARVER discs.
- Aluminum gauge plates in standard styles.
- Magnets can be used to either collect ferrous and other construction debris, or they can be used to provide a change in magnetic field required by non-intrusive pig signaler detection devices.



Check out apachepipe.com/animations/ for videos on jetted cups.