

ALL URETHANE

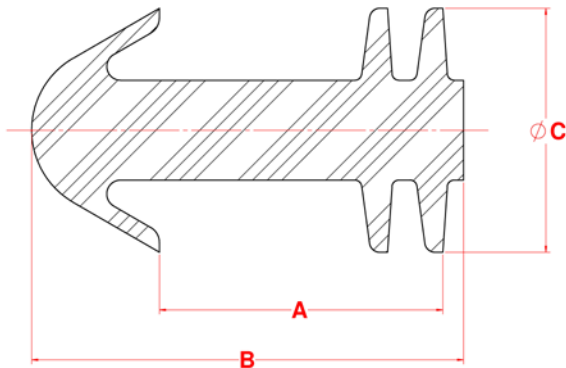
TORNADO II

2-4" (51-102mm)

Never underestimate the tiny Tornado II. Its compact size is a must for cleaning small diameter pipelines.

Time and time again, flow rates rise after being cleaned with the Tornado II.

How is this possible? The discs featured on the Tornado II make it easy for it to traverse through any line with maximum efficiency. Designed for use in non-metallic pipe and steel lines, its strength lies in proving a line in a pipe network prior to operational pigging, as opposed to clearing solids or aggressive cleaning.



Size	A	B	C
2"	3.000	4.500	2.125
3"	4.125	5.875	3.250
4"	4.875	7.250	4.375

Size	62 Durometer	72 Durometer	85 Durometer
2"	72-0262-02S	72-0272-02S	72-0285-02S
3"	72-0262-03S	72-0272-03S	72-0285-03S
4"	72-0262-04S	72-0272-04S	72-0285-04S



Features & Benefits:

- Solid-cast urethane.
- Lightweight.

Designed to negotiate 1.5D bends, the Tornado II moves reliably through piping systems.

Options Available:

- Available in different durometers.

60-63 DUROMETER

Very soft and pliable

70-75 DUROMETER

Somewhat firm, but quite flexible

80-85 DUROMETER

Firm with fair flexibility
Most common for solid-cast pigs

1575 - 90 Ave Edmonton, AB Canada T6P 0E2

4-12 Ph: 780.416.4850 | Fax: 780.416.4829 | apachepipe.com | Email: sales@apachepipe.com

world class world wide