

ALL URETHANE

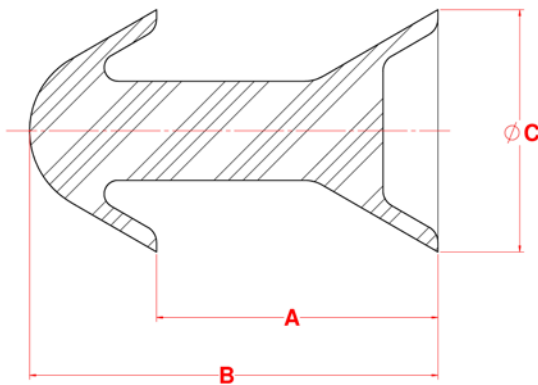
TORNADO I

2-4" (51-102mm)

Never underestimate the tiny Tornado I. Its compact size is a must for cleaning small diameter pipelines. The field-proven Tornado I effectively cleans small diameter lines, such as those found in crude oil gathering systems.

Time and time again, flow rates rise after being cleaned with a Tornado I.

How is this possible? The unique cup design permits this pig to travel through short radius bends. The Tornado I is designed for use in both non-metallic pipe and steel lines. Its strength lies in proving a line in a pipe network prior to operational pigging, as opposed to clearing solids or aggressive cleaning.



Size	A	B	C
2"	3.000	4.500	2.125
3"	4.125	5.875	3.250
4"	4.875	7.250	4.375

Size	62 Durometer	72 Durometer	85 Durometer
2"	72-0162-02S	72-0172-02S	72-0185-02S
3"	72-0162-03S	72-0172-03S	72-0185-03S
4"	72-0162-04S	72-0172-04S	72-0185-04S



Features & Benefits:

- Solid cast urethane.
- Lightweight.

Designed to negotiate 1.5D bends, the Tornado I moves reliably through piping systems.

Options Available:

- Available in different durometers.

60-63 DUROMETER

Very soft and pliable

70-75 DUROMETER

Somewhat firm, but quite flexible

80-85 DUROMETER

Firm with fair flexibility
Most common for solid-cast pigs