

LIGHT CLEANING

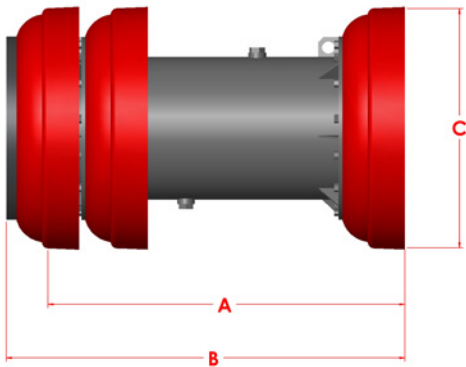
UC3

16-48" (406-1219mm)

The Series UC3 pig is another great example of how Apache provides the pipeline industry with tools that get the job done.

Let's face it, during the construction phase, it can be a messy business, so it's important that the pipeline interior be kept clean throughout the process. Apache developed the Series UC just for this purpose. The Series UC is primarily used for light cleaning during the construction phase and can be used in all phases of pipeline cleaning.

At times it's necessary to clean a line more rigorously, which requires additional cups. With this in mind, the Series UC is available in three versions. The two-cup design of the UC2 pig provides a basic level of light cleaning capability. With each additional cup, the Series UC pig cleans more rigorously. Therefore, the UC3 three-cup and UC4 four-cup design pigs are progressively more powerful cleaning tools. They are used to lightly clean pipelines, and are typically used for longer distances.



Size	A	B	C	Weight	Part #
16"	22.500	25.875	16.000	115	70-3803-16
20"	28.500	32.375	19.875	187	70-3803-20
22"	31.375	35.500	21.875	215	70-3803-22
24"	34.375	38.250	23.875	269	70-3803-24
30"	42.125	47.125	29.875	426	70-3803-30
36"	49.250	54.750	36.000	644	70-3803-36
42"	56.500	62.500	42.125	942	70-3803-42
48"	61.625	68.125	48.500	1141	70-3803-48

Features & Benefits:

- Every Series UC pig is equipped with Apache Series C cups. As with all of Apache products, the Series C cup was specifically developed to perform, efficiently and reliably. To enhance durability, it's made from Reliathane, Apache's special blend of wear-resistant polyurethane.
- The large wearing surface of the cup promotes longer life, while product pressure holds the cutting edge firmly against the pipe wall.
- Every Apache UC3 16"- 48" pig is manufactured with by-pass ports. These ports feature threaded plugs that can be removed, should by-pass be required. By removing by-pass plugs, a portion of product flow is redirected through these openings. The debris is suspended in the turbulent flow and transferred ahead of the pig.
- Standard bumper noses cushion the pig and help to protect in-line auxiliary equipment, preventing damage.

Designed to negotiate minimum 1.5D and greater bends, the UC3 pig moves reliably through piping systems.

Options Available:

- CARVER discs.
- Rattlers.
- Transmitter housing to accommodate electronic tracking equipment.
- Aluminum gauge plates in slotted or standard styles.
- Magnets can be used to either collect ferrous and other construction debris, or they can be used to provide a change in magnetic field required by non-intrusive pig signaler detection devices.
- Two (UC2) and four cup (UC4) configurations.