

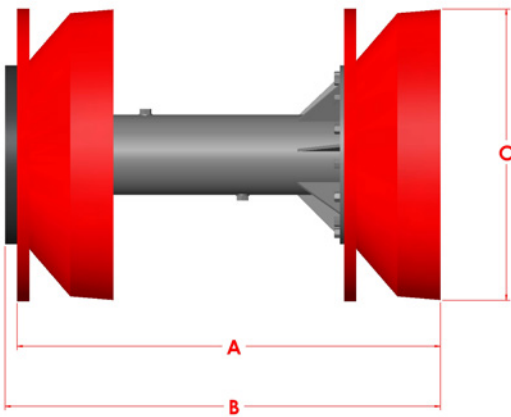
# B A T C H I N G

## DMD

16-48" (406-1219mm)

Looking for more effective cleaning and sealing capacity? Then look no further than the Series DMD.

Every pig in the series is equipped with two sealing discs and two Series M Cups. These multiple sealing components create a positive seal between dissimilar fluids, while simultaneously providing a bigger surface area. As a result, its sealing capacity, scraping capability, and overall cleaning ability is greatly improved.



Size	A	B	C	Weight	Part #
16"	24.500	25.500	15.875	75	70-6850-16
20"	28.000	29.000	20.000	122	70-6850-20
22"	32.375	33.375	22.000	163	70-6850-22
24"	34.875	35.875	24.000	196	70-6850-24
30"	43.000	44.125	29.875	328	70-6850-30
36"	53.625	55.000	36.000	520	70-6850-36
42"	62.875	64.375	42.125	755	70-6850-42
48"	70.500	72.125	48.125	962	70-6850-48

### Features & Benefits:

- The DMD pig is configured to offer a sealing arrangement that is used to separate dissimilar fluids, and to lightly scrape pipelines during longer distance operations.
- Given that anomalies are a fairly common feature of a pipeline scheduled for maintenance, it's reassuring that pigs mounted with conical cups can traverse pipeline anomalies of up to 20% without damaging essential inline auxiliary equipment.
- Every Series DMD pig is equipped with Apache Series M cups. As with all of Apache products, the Series M cup was especially developed to perform efficiently and reliably. To maximize durability, it's made from Reliathane, Apache's special blend of wear-resistant polyurethane.
- Every Apache DMD 16"- 48" pig is manufactured with by-pass ports. These ports feature threaded plugs that can be removed, should by-pass be required. By removing the by-pass plugs, a portion of product flow is redirected through these openings. The debris is suspended in the turbulent flow and transferred ahead of the pig.
- Standard bumper noses cushion the pig and in-line auxiliary equipment, preventing damage.
- To use a Series DMD pig for different applications, cups can simply be added or reconfigured

Designed to negotiate 1.5D bends, the Series DMD pig moves reliably through piping systems.

### Options Available:

- Circular flange brushes or block brushes in the following types and trim materials:
  1. Trim types – flat wire or pencil.
  2. Trim material – carbon steel, stainless steel, plastic, or tin-coated.
- Aluminum or steel gauging plates in slotted or standard styles.
- Transmitter housing to accommodate electronic tracking equipment.
- Magnets can be used to either collect ferrous and other construction debris, or they can be used to provide a change in magnetic field required by non-intrusive pig signaler detection devices.
- CARVER Discs
- Rattlers

1575 - 90 Ave Edmonton, AB Canada T6P 0E2

2-42 Ph: 780.416.4850 | Fax: 780.416.4829 | [apachepipe.com](http://apachepipe.com) | Email: [sales@apachepipe.com](mailto:sales@apachepipe.com)

world class world wide