

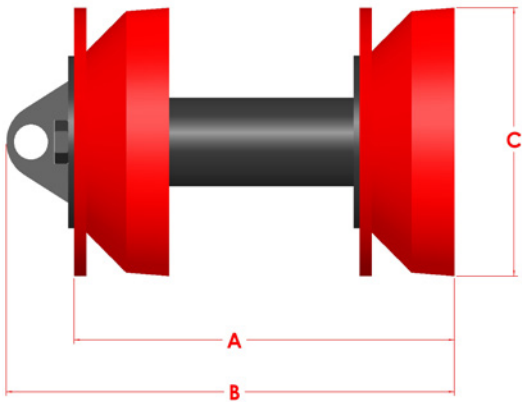
# B A T C H I N G

## DMD

3-14" (76-356mm)

Looking for more effective cleaning and sealing capacity? Then look no further than the Series DMD.

Every pig in the series is equipped with two sealing discs and two Series M Cups. These multiple sealing components create a positive seal between dissimilar fluids, while simultaneously providing a bigger surface area. As a result, its sealing capacity, scraping capability, and overall cleaning ability is greatly improved.



Size	A	B	C	Weight	Part #
3"	5.625	7.000	3.375	2.0	70-6850-03
4"	7.250	8.875	4.375	3.0	70-6850-04
6"	10.125	12.375	6.500	11	70-6850-06
8"	11.875	14.125	8.375	20	70-6850-08
10"	15.500	18.125	10.500	31	70-6850-10
12"	18.125	20.875	12.500	46	70-6850-12
14"	20.500	23.250	14.000	52	70-6850-14

### Features & Benefits:

- The DMD pig is configured to offer a sealing arrangement that is used to separate dissimilar fluids, and to lightly scrape pipelines during longer distance operations.
- Given that anomalies are a fairly common feature of a pipeline scheduled for maintenance, it's reassuring that pigs mounted with conical cups can traverse pipeline anomalies of up to 20% without damaging essential inline auxiliary equipment.
- Every Series DMD pig is equipped with Apache Series M cups. As with all of Apache products, the Series M cup was especially developed to perform efficiently and reliably. To maximize durability, it's made from Reliathane, Apache's special blend of wear-resistant polyurethane.
- To use a Series DMD pig for different applications, cups can simply be added or reconfigured.

Designed to negotiate 1.5D bends, the Series DMD pig moves reliably through piping systems.

### Options Available:

- Circular flange brushes in the following types and trim materials:
  1. Trim types – flat wire or pencil.
  2. Trim material – carbon steel, stainless steel or plastic.
- Aluminum or steel gauging plates in slotted or standard styles.
- UT Mandrel to accommodate electronic tracking equipment.
- Magnets can be used to either collect ferrous and other construction debris, or they can be used to provide a change in magnetic field required by non-intrusive pig signaler detection devices.
- CARVER Discs