

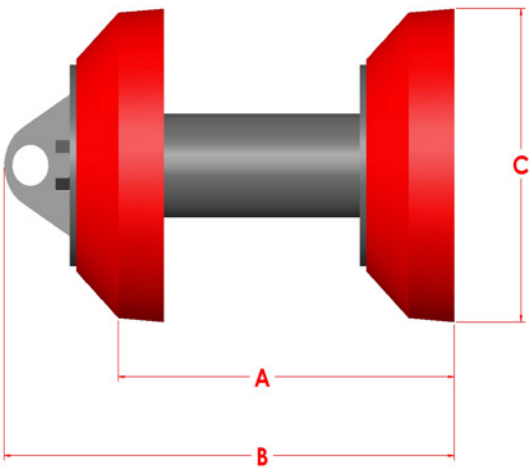
B A T C H I N G

UM2

3-14" (76-356mm)

Primarily used to batch dissimilar fluids, the Series UM2 conical cup pig is also very effective for pipelines in need of light cleaning.

How is this possible? The answer lies in the three versions of the Series UM. The two-cup design of the UM2 pig provides a positive seal between fluid interfaces for efficient batching. The UM3 three-cup and UM4 four-cup design pigs are both used to gently clean pipelines and for batching and separation operations. They are typically used for longer distance operations.



Size	A	B	C	Weight	Part #
3"	4.625	6.625	3.375	2.0	70-5802-03
4"	5.875	8.000	4.375	3.0	70-5802-04
6"	8.250	11.625	6.500	10	70-5802-06
8"	10.500	14.125	8.375	15	70-5802-08
10"	12.750	17.125	10.500	27	70-5802-10
12"	15.125	19.625	12.500	39	70-5802-12
14"	17.500	22.125	14.000	48	70-5802-14

Features & Benefits:

- Given that anomalies are a fairly common feature of a pipeline scheduled for maintenance, it's reassuring that pigs mounted with conical cups can traverse pipeline anomalies of up to 20% without damaging essential inline auxiliary equipment.
- Every Series UM pig is equipped with Apache Series M cups. As with all of Apache products, the Series M cup was especially developed to perform efficiently and reliably. To maximize durability, it's made from Reliathane, Apache's special blend of wear-resistant polyurethane.

Designed to negotiate 1.5D bends, the Series UM2 pig moves reliably through piping systems.

Options Available:

- Circular flange brushes in the following types and trim materials:
 1. Trim types – flat wire or pencil.
 2. Trim material – carbon steel, stainless steel or plastic.
- Aluminum or steel gauging plates in slotted or standard styles.
- UT Mandrel to accommodate electronic tracking equipment.
- Magnets can be used to either collect ferrous and other construction debris, or they can be used to provide a change in magnetic field required by non-intrusive pig signaler detection devices.