

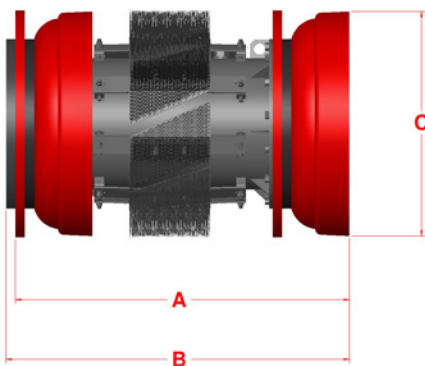
AGGRESSIVE CLEANING

DCDX

16-48" (406-1219mm)

Aggressive, effective cleaning is the name of the game for the Series DCDX pig.

The DCDX pig features two sealing discs, two Series C Cups and block brushes. These multiple sealing components create a positive seal, while simultaneously providing a larger sealing surface area. As a result, its sealing capacity, scraping capability, and overall cleaning ability is greatly improved. It is used to aggressively clean pipelines, and is typically used for longer distance operations.



Size	A	B	C	Weight	Part #
16"	24.000	25.000	16.000	132	60-3700-16
20"	30.875	31.875	19.875	212	60-3700-20
22"	33.375	34.375	21.875	246	60-3700-22
24"	35.500	36.500	23.875	307	60-3700-24
30"	42.250	43.375	29.875	459	60-3700-30
36"	49.875	51.250	36.000	682	60-3700-36
42"	57.875	58.750	42.125	999	60-3700-42
48"	62.750	64.500	48.500	1207	60-3700-48

Features & Benefits:

- Every Series DCDX pig is equipped with Apache Series C cups. As with all of Apache products, the Series C cup was specifically developed to perform efficiently and reliably. To enhance durability, it's made from Reliathane, Apache's special blend of wear-resistant polyurethane.
- The large wearing surface of the cup promotes longer life, while product pressure holds the cutting edge firmly against the pipe wall.
- The DCDX is manufactured with block brushes that are available in a variety of trim options.
- Every Apache DCDX 16"- 48" pig is manufactured with by-pass ports. These ports feature threaded plugs that can be removed, should by-pass be required. By removing the by-pass plugs, a portion of product flow is redirected through these openings. The debris is suspended in the turbulent flow and transferred ahead of the pig.
- Standard bumper noses cushion the pig and help to protect in-line auxiliary equipment, preventing damage.

Designed to negotiate minimum 3D and greater bends, the DCDX pig moves reliably through piping systems.

Options Available:

- Circular flange brushes or block brushes in the following types and trim materials:
 1. Trim types – flat wire or pencil.
 2. Trim material – carbon steel, stainless steel, plastic, or tin-coated.
- Transmitter housing to accommodate electronic tracking equipment.
- CARVER discs.
- Aluminum gauge plates in slotted or standard styles.
- Magnets can be used to either collect ferrous and other construction debris, or they can be used to provide a change in magnetic field required by non-intrusive pig signaler detection devices.
- Rattlers.
- Urethane Plow Blades - Designed to replace a XB block brush, the 3-Rib urethane removes paraffin wax and similar deposits from the pipe wall that normally collect and cram between the bristles of a block brush. Our plow blade profile performs a similar function to the 3-Rib, but is used primarily for pipe sizes 16" - 18". Both blade types are also excellent tools for removing debris in non-metallic or internally coated pipe without damaging the pipe wall coating.