

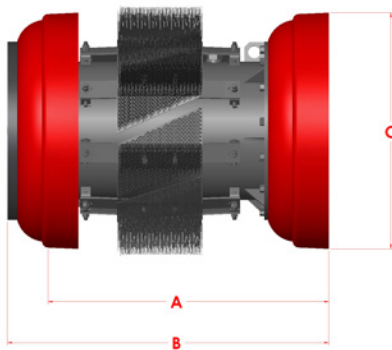
# AGGRESSIVE CLEANING

## UC2X

16-48" (406-1219mm)

The Series UC2X with block brush provides aggressive cleaning during the construction phase as well as regular pipeline operations. Let's face it, when a pipeline is being constructed, it's a messy business, so it's important that the pipeline interior be kept clean throughout the process. Apache developed the Series just for this purpose.

At times it's necessary to clean a line more rigorously, which requires additional cups. Bearing this in mind, the Series UCX is available in three versions. The two-cup design of the UC2X pig provides a basic level of aggressive cleaning capability. With each additional cup, the Series UCX pig cleans more rigorously. Therefore, the UC3X three-cup and UC4X four-cup design pigs are progressively more powerful cleaning tools. They are used to aggressively clean and scrape pipelines, and are typically used for longer distance operations.



Size	A	B	C	Weight	Part #
16"	18.875	22.000	16.000	118	60-3522-16
20"	24.500	28.375	19.875	187	60-3522-20
22"	26.750	30.875	21.875	210	60-3522-22
24"	28.375	32.500	23.875	269	60-3522-24
30"	33.750	38.875	29.875	391	60-3522-30
36"	40.125	45.750	36.000	572	60-3522-36
42"	46.750	52.750	42.125	819	60-3522-42
48"	51.000	57.500	48.500	987	60-3522-48

### Features & Benefits:

- Every Series UCX pig is equipped with Apache Series C cups. As with all of Apache products, the Series C cup was specifically developed to perform efficiently and reliably. To enhance durability, it's made from Reliathane, Apache's special blend of wear-resistant polyurethane.
- The large wearing surface of the cup promotes longer life, while product pressure holds the cutting edge firmly against the pipe wall.
- The UC2X is manufactured with block brushes that are available in a variety of trim options.
- Every Apache UC2X 16"- 48" pig is manufactured with by-pass ports. These ports feature threaded plugs that can be removed, should by-pass be required. By removing the by-pass plugs, a portion of product flow is redirected through these openings. The debris is suspended in the turbulent flow and transferred ahead of the pig.
- Standard bumper noses cushion the pig and help to protect in-line auxiliary equipment, preventing damage.

Designed to negotiate minimum 3D and greater bends, the UC2X pig moves reliably through piping systems.

### Options Available:

- CARVER discs.
- Rattlers.
- Transmitter housing to accommodate electronic tracking equipment.
- Circular flange brushes or block brushes in the following types and trim materials:
  1. Trim types – flat wire or pencil.
  2. Trim material – carbon steel, stainless steel, plastic, or tin-coated.
- Aluminum gauge plates in slotted or standard styles.
- Magnets can be used to either collect ferrous and other construction debris, or they can be used to provide a change in magnetic field required by non-intrusive pig signaler detection devices.
- Urethane Plow Blades - Designed to replace a XB block brush, the 3-Rib urethane removes paraffin wax and similar deposits from the pipe wall that normally collect and cram between the bristles of a block brush. Our plow blade profile performs a similar function to the 3-Rib, but is used primarily for pipe sizes 16" - 18". Both blade types are also excellent tools for removing debris in non-metallic or internally coated pipe without damaging the pipe wall coating.
- Three (UC3X) and four cup (UC4X) configurations.

1575 - 90 Ave Edmonton, AB Canada T6P 0E2

2-26 Ph: 780.416.4850 | Fax: 780.416.4829 | [apachepipe.com](http://apachepipe.com) | Email: [sales@apachepipe.com](mailto:sales@apachepipe.com)

world class world wide