

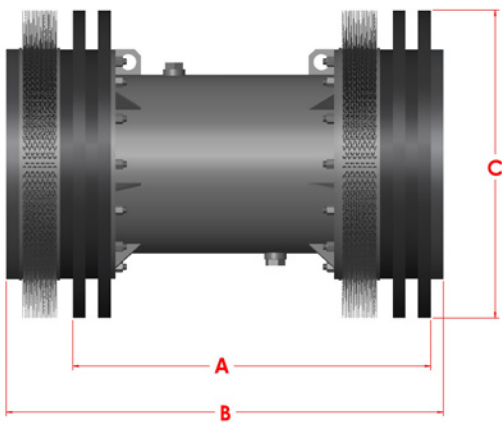
# MODERATE CLEANING

## EDR

16-48" (406-1219mm)

Every newly constructed pipeline requires hydrostatic testing, but before that can take place, the line must be very clean. If you're in search of a pig that provides excellent cleaning capability, Apache offers the EDR.

Equipped with sturdy brushes that forcefully scrub away residue and debris, the primary function of the EDR is to clean the line, leaving it in a pristine condition.



Size	A	B	C	Weight	Part #
16"	19.000	25.000	15.875	132	60-7150-16
18"	21.500	27.500	17.875	165	60-7150-18
20"	24.375	30.500	20.000	217	60-7150-20
22"	26.375	32.250	22.000	248	60-7150-22
24"	28.250	34.500	24.125	303	60-7150-24
30"	33.375	40.250	30.250	468	60-7150-30
36"	40.125	47.000	36.500	776	60-7150-36
42"	47.250	55.250	42.125	1093	60-7150-42
48"	53.250	62.000	48.875	1381	60-7150-48

### Features & Benefits:

- The Series EDR is extremely effective, providing a thorough and deep clean.
- With repeated use, sealing discs can experience wear and tear. The EDR pig can still reverse direction without compromising its sealing capabilities.
- To maximize durability, all discs are made from Reliathane, Apache's special blend of wear-resistant polyurethane.
- Every Apache EDR 16"- 48" pig is manufactured with by-pass ports. These ports feature threaded plugs that can be removed, should by-pass be required. By removing the by-pass plugs, a portion of product flow is redirected through these openings. The debris is suspended in the turbulent flow and transferred ahead of the pig.

Designed to negotiate 1.5D bends, the EDR pig moves reliably through piping systems.

### Options Available:

- Circular flange brushes or block brushes in the following types and trim materials:
  1. Trim types – flat wire or pencil.
  2. Trim material – carbon steel, stainless steel, plastic, or tin-coated.
- Transmitter housing to accommodate electronic tracking equipment.
- CARVER discs.
- Aluminum gauge plates in slotted or standard styles.
- Magnets can be used to either collect ferrous and other construction debris, or they can be used to provide a change in magnetic field required by non-intrusive pig signaler detection devices.