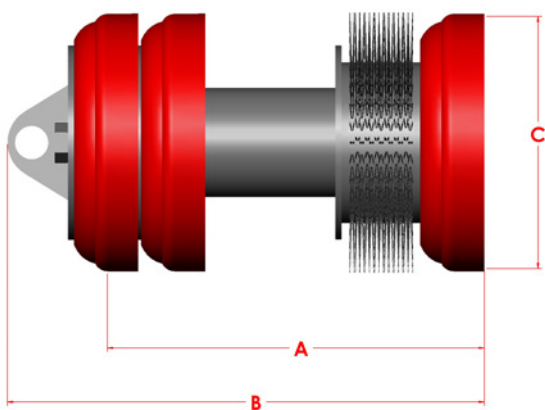


# MODERATE CLEANING

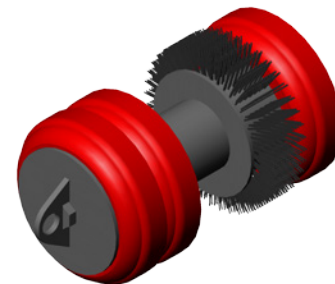
## SC3R

6-14" (152-356mm)

The Series SC3R is one powerful cleaning tool. Apache developed the Series SC3R pig to deliver a moderate cleaning capability to clean all types of pipelines. The result? The line is free of debris and flow rates improve. With the scrubbing capability of the sturdy pitPRO™ or circular flange brush, the Series SCR provides outstanding cleaning ability.



Size	A	B	C	Weight	Part #
6"	7.750	11.000	6.375	15	60-3076-06
8"	10.750	14.125	8.500	28	60-3076-08
10"	12.625	16.750	10.625	48	60-3076-10
12"	15.500	20.000	12.750	69	60-3076-12
14"	17.500	22.125	13.875	79	60-3076-14



### Features & Benefits:

- The SC3R pig features three cups and one circular flange brush.
- Every Series SC3R pig is equipped with Apache Series C cups. As with all of Apache products, the Series C cup was specifically developed to perform efficiently and reliably. To enhance durability, it's made from Reliathane, Apache's special blend of wear-resistant polyurethane.
- The large wearing surface of the cup promotes longer life, while product pressure holds the cutting edge firmly against the pipe wall.
- To use a Series SC3R pig for different applications, elements and brushes can simply be added or reconfigured.

Designed to negotiate minimum 3D and greater bends, the SC3R pig moves reliably through piping systems.

### Options Available:

- Circular flange brushes in the following types and trim materials:
  1. Trim types – flat wire or pencil.
  2. Trim material – carbon steel, stainless steel or plastic.
- UT Mandrel to accommodate electronic tracking equipment.
- Aluminum gauge plates in slotted or standard styles.
- Magnets can be used to either collect ferrous and other construction debris, or they can be used to provide a change in magnetic field required by non-intrusive pig signaler detection devices.
- Two (SC2R) and four cup (SC4R) configurations.