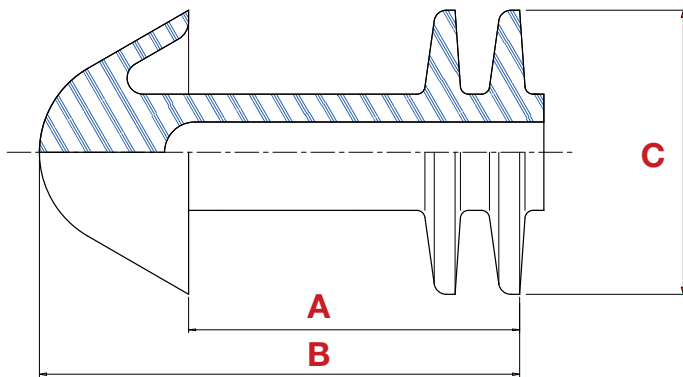


ALL URETHANE

TORNADO II

2-4" (51-102mm)

These solid cast urethane pigs are an excellent cleaner for small diameter pipelines. The discs on this pig allows it to traverse any line with maximum efficiency. Pigs are designed for non-metallic pipe and steel lines. They are good for proving line but not effective with solids.



Size	A	B	C
2"	3.000	4.500	2.125
3"	4.125	5.875	3.250
4"	4.875	7.250	4.375

Size	62 Durometer	72 Durometer	85 Durometer
2"	72-0262-02S	72-0272-02S	72-0285-02S
3"	72-0262-03S	72-0272-03S	72-0285-03S
4"	72-0262-04S	72-0272-04S	72-0285-04S



Features:

- Solid cast urethane.
- Light weight.
- Reusable.
- Available in different durometers.
- Designed to traverse 1.5D bends.

60-63 DUROMETER

Very soft and pliable

70-75 DUROMETER

Somewhat firm but quite flexible

80-85 DUROMETER

Most common for solid cast pigs
Firm with fair flexibility

1575 - 90 Ave Edmonton, AB Canada T6P 0E2

5-10

Ph: 780.416.4850 | Fax: 780.416.4829 | apachepipe.com | Email: sales@apachepipe.com

world class world wide