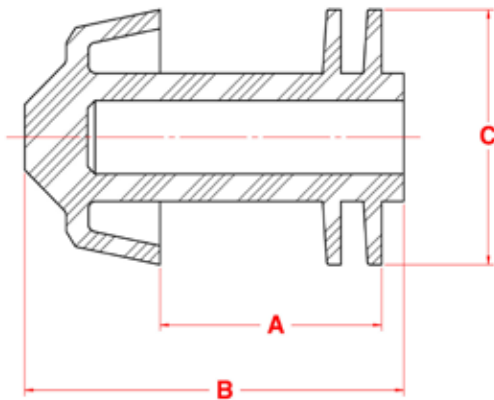


ALL URETHANE

LEAD PIGS - solid cast

3-12" (76-305mm)

The LP are designed to be the lead pig in a two pig train while containing the inhibitor or biocide treatment and allowing minimum by-pass. The inhibitor is contained between the lead pig and our Hurricane FP pig which allows our FP design to leave a film of inhibitor on the pipe wall. The Hurricane LP has a similar look to the filming pig but are manufactured with 72 Durometer Urethane and has a rear hollow cavity.



Size	A	B	C	Weight	Part #
3"	2.500	4.875	3.375	0.7	74-0572-03S
4"	3.625	6.250	4.375	1.2	74-0572-04S
6"	5.375	8.750	6.500	3.4	74-0572-06S
8"	7.625	11.750	8.500	9.3	74-0572-08S
10"	9.625	14.125	10.625	15	74-0572-10S
12"	10.125	15.375	12.500	25	74-0572-12S



Features:

- Light weight, no metal components
- Flexible design allows easy navigation of bends
- Available in sizes from 3"-12"
- Can be launched in most common pigging valves
- **Designed to traverse 1.5D bends.**



Check out apachepipe.com/animations.html for videos on lead pigs.