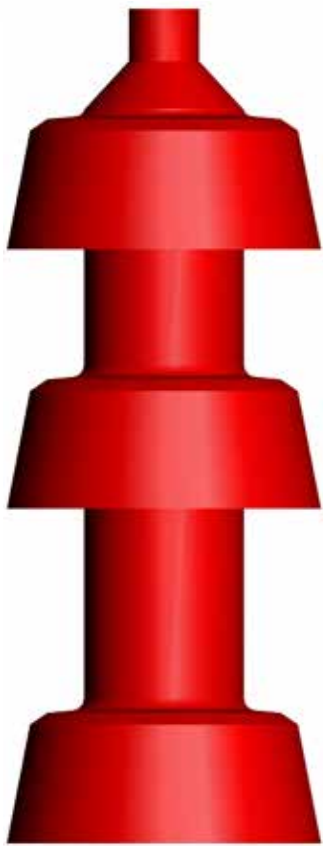


# ALL URETHANE

## HURRICANE III - solid cast

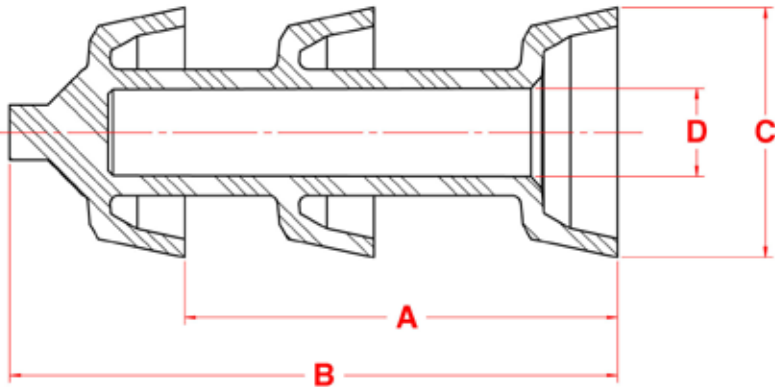
3-12" (76-305mm)

These one piece urethane cup pigs are light weight for maximum cleaning. The strategic placement of the cups allows the pig to traverse tees and full opening valves.



Size	A	B	C	D	Weight	Part #
3"	5.750	7.750	3.440	1.000	1.0	74-0385-03
4"	7.125	9.625	4.500	1.500	1.8	74-0385-04
6"	9.875	12.500	6.500	2.000	4.6	74-0385-06
8"	12.375	16.250	8.630	2.875	12	74-0385-08
10"	15.750	20.750	10.750	3.750	19	74-0385-10
12"	20.500	23.000	12.625	4.625	48	74-0385-12

*\*Part numbers shown are for 85 Durometer (62 and 72 also available)*



### Features:

- Solid cast urethane.
- Light weight.
- Available in different durometers.
- **Designed to traverse 1.5D bends.**

### Options:

- Solid core.
- Variety of sizes.
- Flat steel wire, stainless or nylon brushes.
- Magnets are available.

**60-63 DUROMETER**  
Very soft and pliable

**70-75 DUROMETER**  
Somewhat firm but quite flexible

**80-85 DUROMETER**  
Most common for solid cast pigs  
Firm with fair flexibility