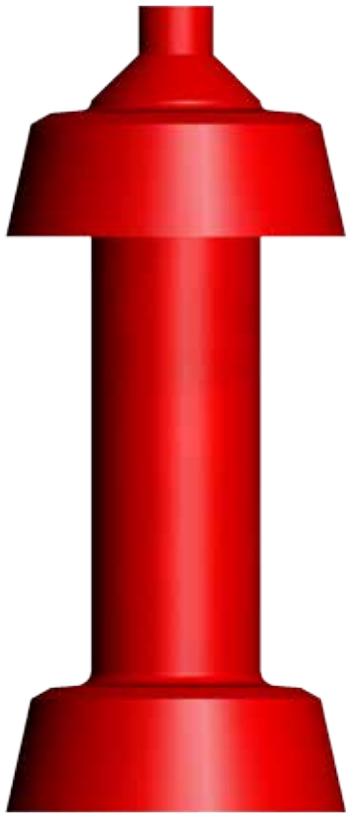


# ALL URETHANE

## HURRICANE II - solid cast

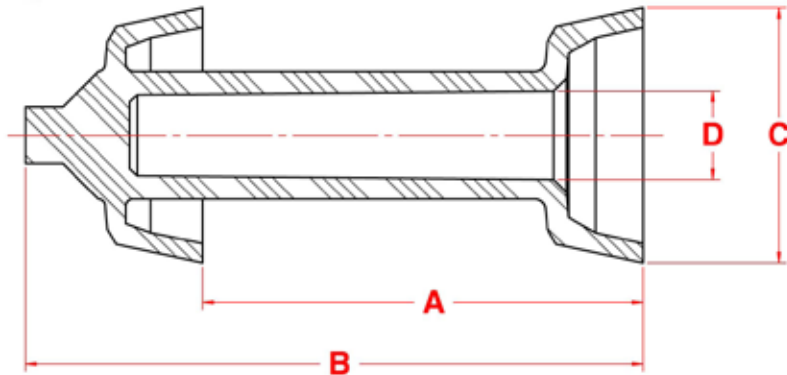
3-12" (76-305mm)

These one piece urethane cup pigs are light weight for maximum cleaning. The strategic placement of the cup allows the pig to traverse tees and full opening valves.



Size	A	B	C	D	Weight	Part #
3"	6.250	7.875	3.375	1.000	0.8	74-0285-03
4"	8.000	9.750	4.500	1.500	1.4	74-0285-04
6"	10.750	13.000	6.500	2.000	3.7	74-0285-06
8"	14.000	16.750	8.625	2.875	9.7	74-0285-08
10"	16.000	20.500	10.750	3.750	21	74-0285-10
12"	20.500	23.000	12.625	4.625	48	74-0285-12

*\*Part numbers shown are for 85 Durometer (62 and 72 also available)*



### Features:

- Solid cast urethane.
- Light weight.
- Available in different durometers.
- **Designed to traverse 1.5D bends.**

### Options:

- Hollow or solid core.
- Variety of sizes.
- Flat steel wire, stainless or nylon brushes.
- Magnets are available.

#### 60-63 DUROMETER

Very soft and pliable

#### 70-75 DUROMETER

Somewhat firm but quite flexible

#### 80-85 DUROMETER

Most common for solid cast pigs  
Firm with fair flexibility