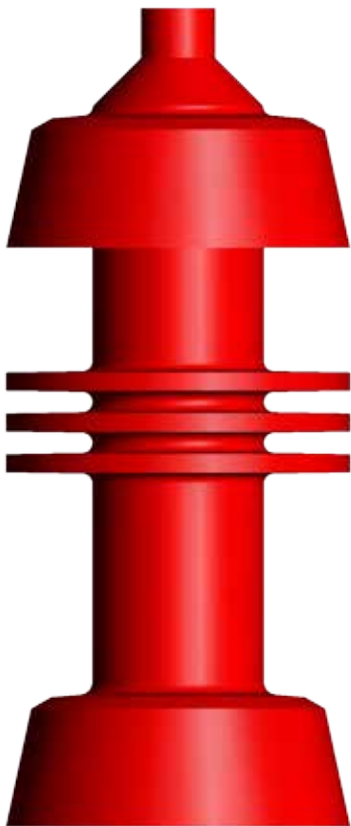


ALL URETHANE

HURRICANE I - solid cast

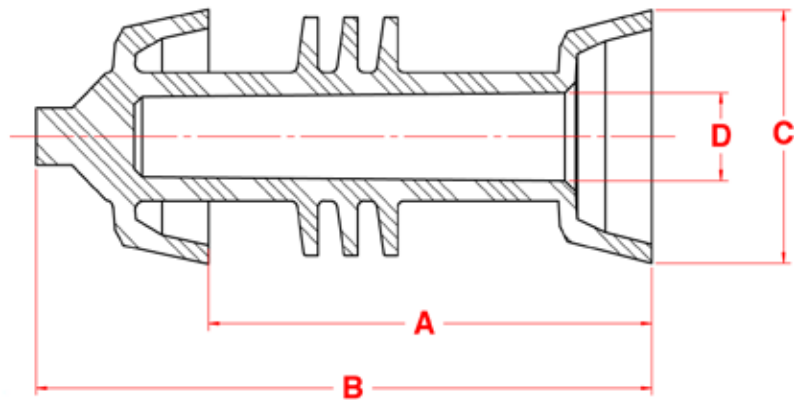
3-12" (76-305mm)

These one piece urethane cup/disc pigs are light weight for maximum cleaning. The strategic placement of the cups and discs allows the pig to traverse tees and full opening valves.



Size	A	B	C	D	Weight	Part #
3"	5.750	7.750	3.375	1.000	1.0	74-0185-03
4"	7.375	9.625	4.500	1.500	1.7	74-0185-04
6"	10.125	13.125	6.500	2.000	5.2	74-0185-06
8"	13.125	17.500	8.625	2.875	13	74-0185-08
10"	16.000	20.500	10.750	3.750	21	74-0185-10
12"	20.500	23.000	12.625	4.625	48	74-0185-12

*Part numbers shown are for 85 Durometer (62 and 72 also available)



Features:

- Solid cast urethane.
- Light weight.
- Available in different durometers.
- **Designed to traverse 1.5D bends.**

Options:

- Solid core.
- Variety of sizes.
- Flat steel wire, stainless or nylon brushes.
- Magnets are available.

60-63 DUROMETER

Very soft and pliable

70-75 DUROMETER

Somewhat firm but quite flexible

80-85 DUROMETER

Most common for solid cast pigs
Firm with fair flexibility