

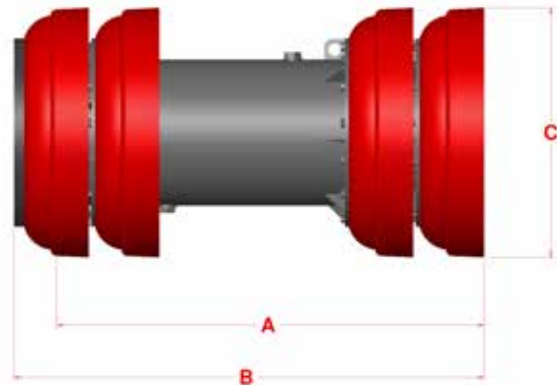
SCRAPER CUP

UC4

16-48" (406-1219mm)

The basic four cup Series UC pigs are generally used for batching of dissimilar fluids and are typically used for longer distance applications. The UC Series are available in three versions. The four cup design of this pig provides a positive seal between fluid interfaces and are widely used for light cleaning of pipelines or batching/separation operations.

Size	A	B	C	Weight	Part #
16"	27.375	30.625	16.000	148	70380416
20"	34.625	38.375	19.875	240	70380420
22"	37.875	42.000	21.875	277	70380422
24"	40.875	45.000	23.875	342	70380424
30"	50.500	55.500	29.875	544	70380430
36"	58.250	63.750	36.000	815	70380436
42"	66.125	72.125	42.250	1198	70380442
48"	72.375	78.875	47.625	1432	70380448



Features:

UC pigs are equipped with Apache Series C cups manufactured from high quality Reliathane. The large wear surface of the cup promotes longer life while the product pressure keeps the cutting edge firm against the pipe wall. Standard bumper noses prevent damage to both the pig and in-line auxiliary equipment. All Apache 16"-48" pigs are manufactured with by-pass ports. The ports have threaded plugs that can be removed if by-pass is required.

Designed to traverse 3D bends.

Options:

- Transmitter cavity for electronic tracking equipment.
- Aluminum or steel gauging plates are available in either slotted or standard styles.
- Magnets are available.