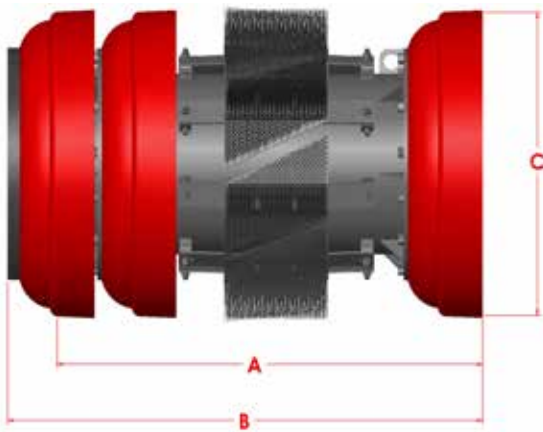


SCRAPER CUP

UC3X

16-48" (406-1219mm)

The three cup UCX pigs are generally used for cleaning and scraping of pipelines. By adding cups to the configuration the UC pig provides a positive seal between dissimilar fluids and are typically used for longer distance operations and for light cleaning of pipelines. Cups can be changed or adapted to different configurations as the application dictates.



Size	A	B	C	Weight	Part #
16"	23.500	26.875	16.000	150	60352316
20"	30.500	34.500	19.875	240	60352320
22"	33.375	37.500	21.875	276	60352322
24"	35.125	39.250	23.875	341	60352324
30"	42.125	47.125	29.875	509	60352330
36"	49.250	54.750	36.000	743	60352336
42"	56.500	62.500	42.125	1058	60352342
48"	61.750	68.125	47.625	1292	60352348

Features:

UCX pigs are equipped with Apache Series C cups manufactured from high quality Reliathane. The large wear surface of the cup promotes longer life while the product pressure keeps the cutting edge firm against the pipe wall. A standard bumper nose prevent damage to both the pig and in-line auxiliary equipment. All Apache 16"-48" pigs are manufactured with by-pass ports. The ports have threaded plugs that can be removed if by-pass is required.

Designed to traverse 3D bends.

Options:

- Carbon steel, stainless steel, pencil or plastic brushes.
- Transmitter cavity for electronic tracking equipment.
- Aluminum or steel gauging plates are available in either slotted or standard styles.
- Magnets are available.
- Plow blades.