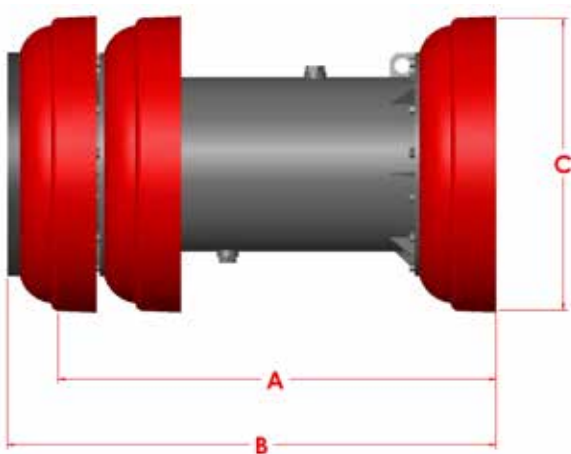


# SCRAPER CUP

## UC3

16-48" (406-1219mm)

The basic three cup UC pigs are designed for batching of dissimilar fluids and are typically used for longer distance applications. The UC Series are available in three versions. The three cup design of this pig provides a positive seal between fluid interfaces and are widely used for light cleaning of pipelines or batching/separation operations.



Size	A	B	C	Weight	Part #
16"	22.500	25.875	16.000	115	70380316
20"	28.500	32.375	19.875	187	70380320
22"	31.375	35.500	21.875	215	70380322
24"	34.375	38.250	23.875	269	70380324
30"	42.125	47.125	29.875	426	70380330
36"	49.250	54.750	36.000	644	70380336
42"	56.500	62.500	42.125	942	70380342
48"	61.625	68.125	47.625	1141	70380348

### Features:

UC pigs are equipped with Apache Series C cups manufactured from high quality Reliathane. The large wear surface of the cup promotes longer life while the product pressure keeps the cutting edge firm against the pipe wall. Standard bumper noses prevent damage to both the pig and in-line auxiliary equipment. All Apache 16"-48" pigs are manufactured with by-pass ports. The ports have threaded plugs that can be removed if by-pass is required.

Designed to traverse 1.5D bends.

### Options:

- Transmitter cavity for electronic tracking equipment.
- Aluminum or steel gauging plates are available in either slotted or standard styles.
- Magnets are available.