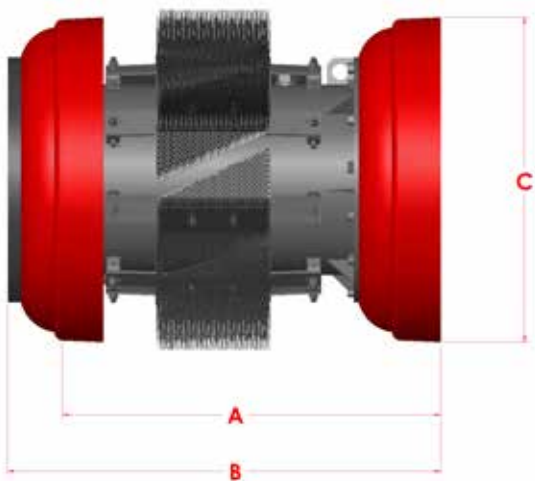


SCRAPER CUP

UC2X

16-48" (406-1219mm)

The basic two cup UCX pigs are generally used for cleaning and scraping of pipelines. This pig is also available in three and four cup configurations. By adding cups to the configuration the UC pig provides a positive seal between dissimilar fluids and are typically used for longer distance operations and for light cleaning of pipelines. Cups can be changed or adapted to different configurations as the application dictates.



Size	A	B	C	Weight	Part #
16"	18.875	22.000	16.000	118	60352216
20"	24.500	28.375	19.875	187	60352220
22"	26.750	30.875	21.875	210	60352222
24"	28.375	32.500	23.875	269	60352224
30"	33.750	38.875	29.875	391	60352230
36"	40.125	45.750	36.000	572	60352236
42"	46.750	52.750	42.125	819	60352242
48"	51.000	57.500	47.625	987	60352248

Features:

UCX pigs are equipped with Apache Series C cups manufactured from high quality Reliathane. The large wear surface of the cup promotes longer life while the product pressure keeps the cutting edge firm against the pipe wall. A standard bumper nose prevent damage to both the pig and in-line auxiliary equipment. All Apache 16"-48" pigs are manufactured with by-pass ports. The ports have threaded plugs that can be removed if by-pass is required.

Designed to traverse 3D bends.

Options:

- Circular flat carbon steel, stainless steel, pencil or plastic brushes.
- Transmitter housing to accommodate electronic tracking equipment.
- Aluminum or steel gauging plates are available in either slotted or standard styles.
- Magnets are available.
- Plow blades.