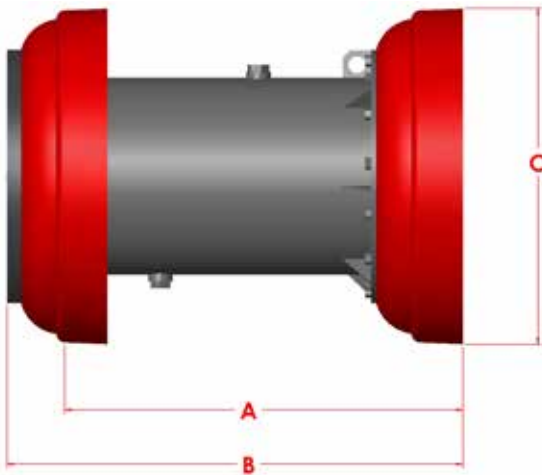


# SCRAPER CUP

## UC2

16-48" (406-1219mm)

The UC pig are available in three versions. The basic two cup and three cup UC pigs are generally used for batching of dissimilar fluids. Cups can be changed or adapted to different configurations as the application dictates. The configuration of the four cup UC provides positive seal between dissimilar fluids and typically used for longer distance operations and for light cleaning of pipelines.



Size	A	B	C	Weight	Part #
16"	17.875	21.125	16.000	83	70380216
20"	22.625	26.375	19.875	134	70380220
22"	24.750	28.875	21.875	153	70380222
24"	27.375	31.500	23.875	197	70380224
30"	33.750	38.875	29.875	307	70380230
36"	40.125	45.750	36.000	472	70380236
42"	46.750	52.750	42.125	685	70380242
48"	51.000	57.500	47.625	849	70380248

### Features:

UC pigs are equipped with Apache Series C cups manufactured from high quality Reliathane. The large wear surface of the cup promotes longer life while the product pressure keeps the cutting edge firm against the pipe wall. Standard bumper noses prevent damage to both the pig and in-line auxiliary equipment. All Apache 16"-48" pigs are manufactured with by-pass ports. The ports have threaded plugs that can be removed if by-pass is required.

Designed to traverse 1.5D bends.

### Options:

- Transmitter cavity for electronic tracking equipment.
- Aluminum or steel gauging plates are available in either slotted or standard styles.
- Magnets are available.