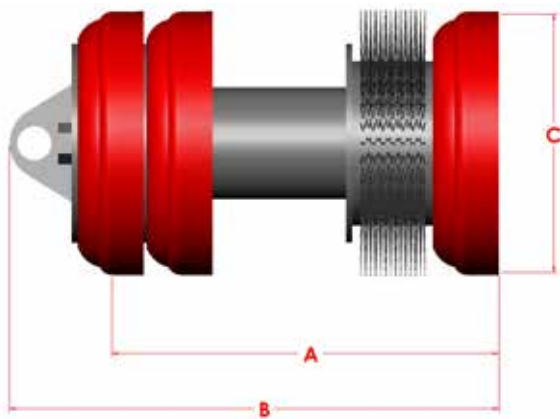


SCRAPER CUP

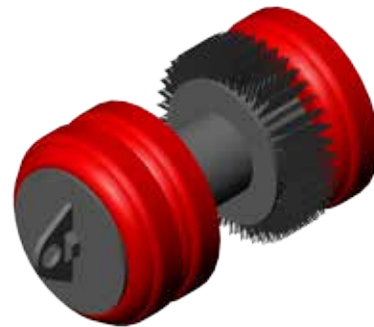
SC3R

6-14" (152-356mm)

The Series SCR cleaning pigs are used to remove debris from pipelines thereby improving valuable flowrates. Effective in all types of pipelines, the aggressive fixed steel brush provides optimal cleaning ability.



Size	A	B	C	Weight	Part #
6"	7.750	11.000	6.375	15	60307606
8"	10.750	14.125	8.500	28	60307608
10"	12.625	16.750	10.625	48	60307610
12"	15.500	20.000	12.750	69	60307612
14"	17.500	22.125	13.875	79	60307614



Features:

The SC3R model comes standard with three Apache Series C cups to further increase the versatility of these pigs.

Designed to traverse 3D bends.

Options:

- Circular flat carbon steel, stainless steel, pencil or plastic brushes.
- Aluminum or steel gauging plates are available in either slotted or standard styles.
- Magnets are available.
- Available with UT configuration with internal transmitter housing for 6" - 14" pigs.