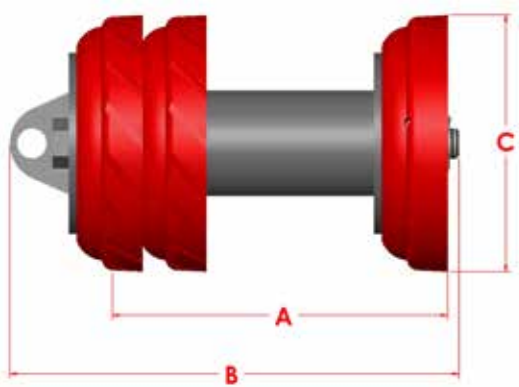


SCRAPER CUP

JETTED CUP

3-14" (76-356mm)

The unique design of the JC Cup provides the user all the advantages of the Apache Series C Cup with the added benefit of the jetting action. The grooves in the surface of the cup create five times the cleaning surface enabling a calibrated amount of fluid to pass along the pipe wall to jet away and suspend any wax, sand or other debris.



Size	A	B	C	Weight	Part #
3"	5.500	7.000	3.375	2.0	70380303
4"	6.625	8.375	4.375	4.0	70380304
6"	9.875	13.750	6.375	15	70380306
8"	11.375	15.250	8.500	26	70380308
10"	15.250	19.500	10.625	47	70380310
12"	18.250	22.750	12.500	64	70380312
14"	21.250	25.875	13.875	75	70380314

Features:

Comes equipped with 2 standard JC Series Cups and one rear ported Series C Cup.

Designed to traverse 1.5D bends.

Options:

- Circular flat carbon steel, stainless steel, pencil or plastic brushes.
- Magnets are available.
- Available with UT configuration with internal transmitter housing for 6" - 14" pigs.



Check out apachepipe.com/animations.html for videos on jetted cups.