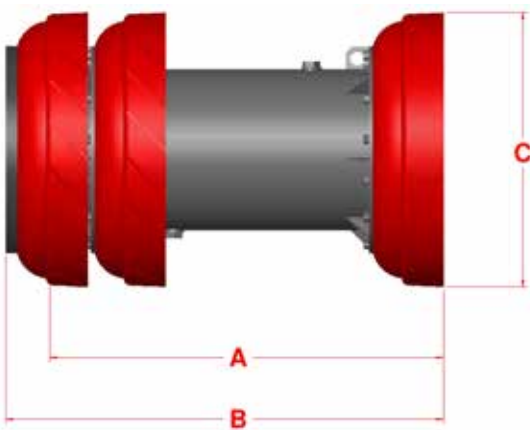


# SCRAPER CUP

## JETTED CUP

16-48" (406-1219mm)

The unique design of the JC Cup provides the user all the advantages of the Apache Series C Cup with the added benefit of the jetting action. The grooves in the surface of the cup create five times the cleaning surface enabling a calibrated amount of fluid to pass along the pipe wall to jet away and suspend any wax, sand or other debris.



Size	A	B	C	Weight	Part #
16"	22.500	25.875	16.000	115	70380316
20"	28.500	32.375	19.875	187	70380320
22"	31.375	35.500	21.875	215	70380322
24"	34.375	38.250	23.875	269	70380324
30"	42.125	47.125	29.875	426	70380330
36"	49.250	54.750	36.000	644	70380336
42"	56.500	62.500	42.125	942	70380342
48"	61.625	68.125	47.625	1141	70380348

### Features:

Comes equipped with 2 standard JC Series Cups and one rear ported Series C Cup. Standard bumper noses prevent damage to both the pig and in-line auxiliary equipment. All Apache 16"-48" pigs are manufactured with by-pass ports. The ports have threaded plugs that can be removed if by-pass is required.

Designed to traverse 1.5D bends.

### Options:

- Circular flat carbon steel, stainless steel, pencil or plastic brushes.
- Magnets are available.



Check out [apachepipe.com/animations.html](http://apachepipe.com/animations.html) for videos on jetted cups.

1575 - 90 Ave Edmonton, AB Canada T6P 0E2

3-26

Ph: 780.416.4850 | Fax: 780.416.4829 | [apachepipe.com](http://apachepipe.com) | Email: [sales@apachepipe.com](mailto:sales@apachepipe.com)

*world class world wide*