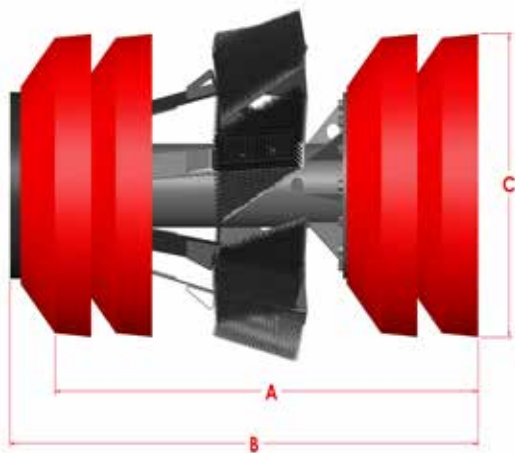


CONICAL CUP

UM4X

16-48" (406-1219mm)

The four cup UMX pigs are generally used for cleaning and scraping of pipelines. By adding cups to the configuration the UM pig provides a positive seal between dissimilar fluids and are typically used for longer distance operations and for light cleaning of pipelines.



Size	A	B	C	Weight	Part #
16"	30.000	33.125	15.875	154	60514416
20"	39.250	42.875	20.000	257	60514420
22"	42.500	46.375	22.000	324	60514422
24"	43.500	47.875	24.000	372	60514424
30"	57.250	62.375	29.875	613	60514430
36"	64.625	71.125	36.000	879	60514436
42"	78.500	85.750	42.000	1264	60514442
48"	88.875	97.250	48.000	1550	60514448

Features:

UMX pigs are equipped with Apache Series M cups manufactured from high quality Reliathane. Pipeline pigs mounted with conical cups can traverse pipeline anomalies of up to 20% without damage to inline auxiliary equipment. Standard bumper noses prevent damage to both the pig and in-line auxiliary equipment. All Apache 16"-48" pigs are manufactured with by-pass ports. The ports have threaded plugs that can be removed if by-pass is required.

Designed to traverse 1.5D bends.

Options:

- Gauging plates of aluminum or steel, and either in slotted or standard styles.
- Transmitter cavity for electronic tracking equipment.
- Magnets are available.
- Plow blades.