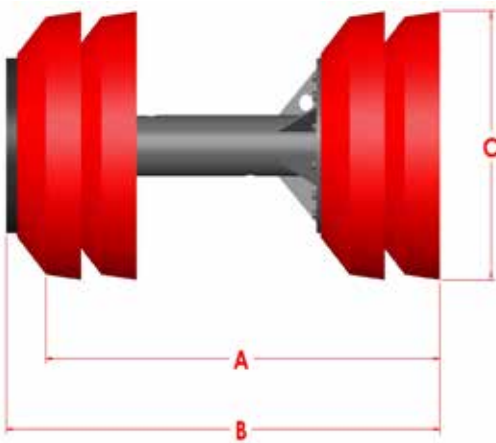


# CONICAL CUP

## UM4

16-48" (406-1219mm)

The basic four cup Series UM pigs are generally used for batching of dissimilar fluids and are typically used for longer distance applications. The UM Series are available in three versions. The four cup design of this pig provides a positive seal between fluid interfaces and are widely used for light cleaning of pipelines or batching/separation operations.



| Size | A      | B      | C      | Weight | Part #   |
|------|--------|--------|--------|--------|----------|
| 16"  | 29.000 | 32.125 | 15.875 | 115    | 70580416 |
| 20"  | 35.750 | 39.375 | 20.000 | 191    | 70580420 |
| 22"  | 41.000 | 44.875 | 22.000 | 257    | 70580422 |
| 24"  | 43.500 | 47.875 | 24.000 | 301    | 70580424 |
| 30"  | 54.250 | 59.375 | 29.875 | 498    | 70580430 |
| 36"  | 64.625 | 71.125 | 36.000 | 751    | 70580436 |
| 42"  | 78.500 | 85.750 | 42.000 | 1118   | 70580442 |
| 48"  | 84.875 | 93.250 | 48.000 | 1338   | 70580448 |

### Features:

UM pigs are equipped with Apache Series M cups manufactured from high quality Reliathane. The large wear surface of the cup promotes longer life while the product pressure keeps the cutting edge firm against the pipe wall. Standard bumper noses prevent damage to both the pig and in-line auxiliary equipment. All Apache 16"-48" pigs are manufactured with by-pass ports. The ports have threaded plugs that can be removed if by-pass is required.

Designed to traverse 1.5D bends.

### Options:

- Transmitter cavity for electronic tracking equipment.
- Aluminum or steel gauging plates are available in either slotted or standard styles.
- Magnets are available.