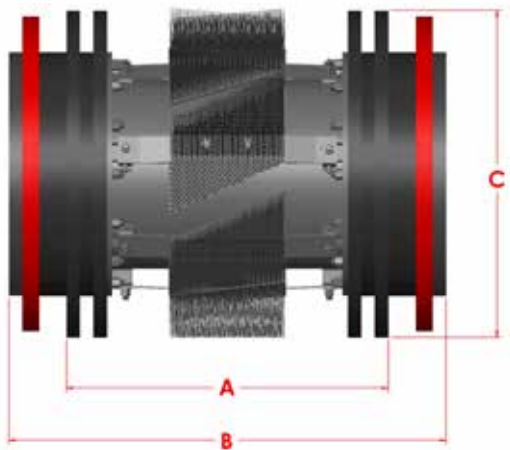


# BI-DIRECTIONAL

## EDX

16-48" (406-1219mm)

The Series EDX cleaning pigs are designed for bi-directional cleaning of newly constructed lines or for existing lines where scale and debris are present. It is also an excellent choice for air and water displacement applications during the pressure test stage of construction.



Size	A	B	C	Weight	Part #
16"	18.000	25.250	15.875	157	60722816
18"	20.500	27.750	17.875	194	60722818
20"	23.000	31.000	20.000	252	60722820
22"	26.250	34.250	22.000	283	60722822
24"	26.750	35.250	24.125	355	60722824
30"	29.750	39.500	30.250	530	60722830
36"	35.250	47.000	36.500	812	60722836
42"	42.250	55.250	42.625	1209	60722842
48"	46.500	61.750	48.875	1511	60722848

### Features:

EDX are an economical four sealing and two guide disc bi-directional pig which offers an optimum seal and also allows for aggressive cleaning with wear compensating, spring loaded brushes. The pig is equipped with durable guide disks designed to center the sealer discs in the line, forming a quadruple seal that virtually eliminates product by-pass. Standard bumper noses prevent damage to both the pig and in-line auxiliary equipment. All Apache 16"-48" pigs are manufactured with by-pass ports. The ports have threaded plugs that can be removed if by-pass is required.

Designed to traverse 3D bends.

### Options:

- Carbon steel, stainless steel, pencil or plastic brushes.
- Transmitter cavity for electronic tracking equipment.
- Aluminum or steel gauging plates are available in either slotted or standard styles.
- Magnets are available.
- Plow blades.