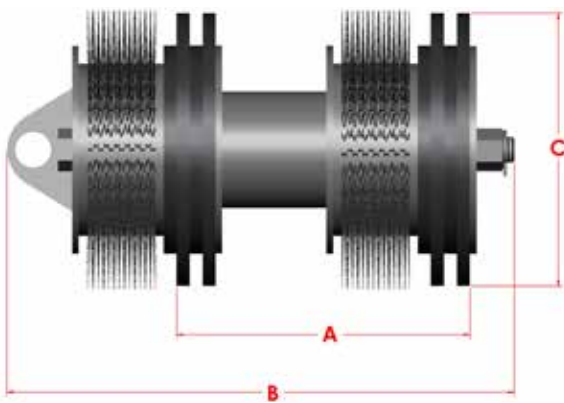


BI-DIRECTIONAL

EDR

6-14" (152-356mm)

The Series EDR pigs are bi-directional and used primarily for air and water displacement and debris removal applications during the pressure test stage of construction and day-to-day maintenance. Designed to travel in either direction, the operator can fill the line with water and displace the water without removing the pig. EDR are designed to traverse 1.5D bends in either direction.



Size	A	B	C	Weight	Part #
6"	7.875	15.700	6.375	18	60715006
8"	10.250	18.200	8.375	31	60715008
10"	11.250	19.750	10.500	51	60715010
12"	14.125	22.750	12.500	71	60715012
14"	16.625	25.250	13.875	80	60715014

Features:

Simple replacement of a disc with a circular wire brush enhances the versatility of the ED Series. This EDR version offers a sealing arrangement suitable for separation of dissimilar fluids or for dewatering during hydrostatic testing. Sealing discs experiencing wear can reverse direction without compromising sealing characteristics.

Designed to traverse 1.5D bends.

Options:

- Circular flat carbon steel, stainless steel, pencil or plastic brushes.
- Aluminum or steel gauging plates are available in either slotted or standard styles.
- Magnets are available.
- Available with UT configuration with internal transmitter housing for 6" - 14" pigs.