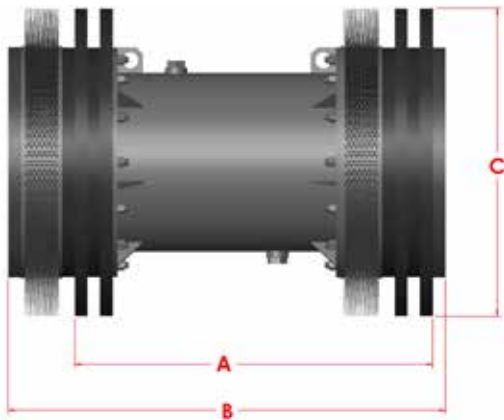


BI-DIRECTIONAL

EDR

16-48" (406-1219mm)

The Series EDR pigs are bi-directional and used primarily for air and water displacement and debris removal applications during the pressure test stage of construction and day-to-day maintenance. Designed to travel in either direction, the operator can fill the line with water and displace the water without removing the pig. EDR are designed to traverse 1.5D bends in either direction.



Size	A	B	C	Weight	Part #
16"	19.000	25.000	15.875	132	60715016
18"	21.500	27.500	17.875	165	60715018
20"	24.370	30.500	20.000	217	60715020
22"	26.370	32.250	22.000	248	60715022
24"	28.250	34.500	24.125	303	60715024
30"	33.375	40.200	30.125	468	60715030
36"	40.125	47.000	36.500	776	60715036
42"	47.250	55.250	42.625	1093	60715042
48"	53.250	62.000	48.875	1381	60715048

Features:

This EDR version offers a sealing arrangement suitable for separation of dissimilar fluids or for dewatering during hydrostatic testing. Sealing discs experiencing wear can reverse direction without compromising sealing characteristics. Standard bumper noses prevent damage to both the pig and in-line auxiliary equipment. Most Apache 16"-48" pigs are manufactured with by-pass ports. The ports have threaded plugs that can be removed if by-pass is required.

Designed to traverse 1.5D bends.

Options:

- Circular flat carbon steel, stainless steel, pencil or plastic brushes.
- Transmitter housing to accommodate electronic tracking equipment.
- Aluminum or steel gauging plates are available in either slotted or standard styles.
- Magnets are available.