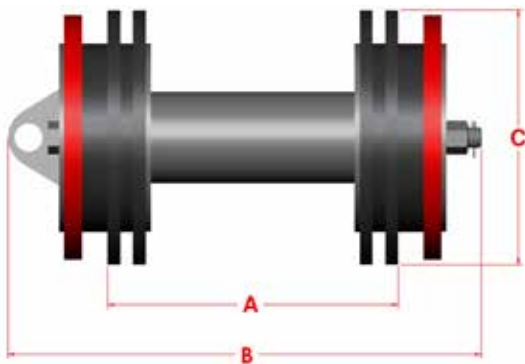


BI-DIRECTIONAL

ED

3-14" (76-356mm)

The Series ED pigs are bi-directional and used primarily for air and water displacement applications during the pressure test stage of construction. Designed to travel in either direction, the operator can fill the line with water and displace the water without removing the pig.



Size	A	B	C	Weight	Part #
3"	3.000	6.875	3.375	2.0	70705603
4"	4.375	9.000	4.375	4.0	70705604
6"	6.000	13.000	6.375	14	70705606
8"	7.5000	15.200	8.375	26	70705608
10"	10.500	18.700	10.500	44	70705610
12"	12.250	23.200	12.500	72	70705612
14"	14.500	23.500	13.875	77	70705614

Features:

The ED version, with a combination of 4 sealing discs and 2 guide discs, offers a sealing arrangement suitable for separation of dissimilar fluids or for dewatering during hydrostatic testing. Sealing discs experiencing wear can reverse direction without compromising sealing characteristics.

Designed to traverse 1.5D bends.

Options:

- Aluminum or steel gauging plates are available in either slotted or standard styles.
- Magnets are available.
- Available with UT configuration with internal transmitter housing for 6" - 14" pigs.