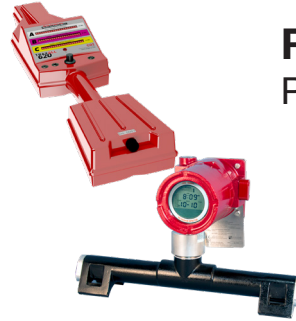


TRACKING



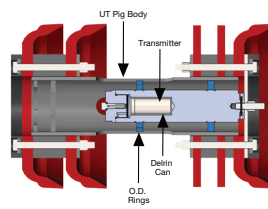
Receivers
Pg. 7-2



RENTALS
Pg. 7-7



Transmitters
Pg. 7-3 to 7-5



Transmitter Housing
Pg. 7-8



Delrin Cans
Pg. 7-6

Receivers

TRAXALL 500 & 501

The TRAXALL 500 and TRAXALL 501 receivers differ in their ability to support add-on accessories. The TRAXALL 501 system monitors the 22 Hz transmitter frequency and supports the use of remote electromagnetic antennas and strobe lights with two external connectors while the 500 system does not. TRAXALL 500 is CDI's lowest-cost receiver.

Signal strength is intuitively indicated on a horizontal row of scrolling LEDs, while a single knob adjusts the reception sensitivity of each frequency.

TRAXALL 620

With TRAXALL 620, up to three transmitter frequencies are represented as scrolling rows of LEDs. The 620 works with CDI's transmitter family and the new TRAXALL X-Series multi-frequency transmitters, as well as transmitters from competitive systems. The TRAXALL 620 supports the use of remote electromagnetic antennas and strobe lights.

TRAXALL 720

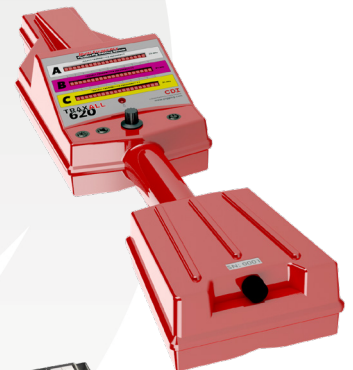
The TRAXALL 720 tracks two programmable frequencies as well as 22Hz and MFL. A high-speed GPS system is built in, allowing arbitrary points of interest to be waypointed and stored in memory as GPS coordinates. Trackpointing records breadcrumb trails showing routes taken to and from hard-to-find locations.

Bluetooth communication allows remote viewing of the system from a vehicle in inclement weather. LineStat provides the 720 with the capability to autonomously monitor for pig passages and send remote notifications as emails or text messages. LineStat requires no cellular telephone network, and functions anywhere in the world.

TRAXALL 770

The TRAXALL 770 tracks as many as 7 different transmitter frequencies simultaneously along with MFL, with a unique color assignment for each on the bright, wide temperature display. A high-speed GPS system is built in, allowing arbitrary points of interest to be waypointed and stored in memory as GPS coordinates. Trackpointing records breadcrumb trails showing routes taken to and from hard-to-find locations.

Bluetooth communication allows remote viewing of the system from a vehicle in inclement weather. LineStat provides the 770 with the capability to autonomously monitor for pig passages and send remote notifications as emails or text messages. LineStat requires no cellular telephone network, and functions anywhere in the world.



OPTIONS



Transmitters

X-Series Programmable Multi-frequency Transmitters

X-Series Transmitters are TRAXALL-compatible electromagnetic pipeline pig-tracking devices offering both programmable frequency and power control through CDI's proprietary FieldLink wireless communications system.

Frequency Control allows you to configure the transmitter to one of TRAXALL's seven colorized frequencies, or 22 Hz legacy frequency for backward compatibility with CDI's CD42 receiver or competitive receivers.

Power Control allows the operator to directly manage a trade-off between transmitter range vs. battery life. You can set output power to maximum for short runs/long range, or reduce output power for long runs/long battery life. Requires USB for programming.

FieldLink is CDI's proprietary wireless communications network. Each X100 transmitter comes with a built-in radio frequency antenna. By connecting an optional radio frequency USB key, any Windows PC or laptop can be used to configure a transmitter.



CD42 22Hz Transmitters

CDI Transmitters are manufactured in-house to exacting tolerances, operate on the principles of magnetics, and emit electromagnetic fields at a frequency near 22Hz.

The 22Hz Transmitters have pressure housings that allow them to be mounted directly in or on a pipeline pig and can withstand pressures of up to 2,500 PSI.

Most transmitters have an on-board computer that allows you to switch between two pulse modes and continuous, or, if tracking a train of pigs, the transmitter can be programmed to create any number of unique and easily identifiable patterns.

22Hz Transmitters are available in a wide variety of sizes to fit every application.

Pressure switch modules and flange kits are also available for most models.



Delrin Can Available.
See page 7-6.

Transmitters

Feature	CD42-T1A	X200-2AA	X200-3AA	X300-3C	X300-4C
Recommended Diameters	8" - 28"	6" - 24"	8" - 28"	8" - 28"	12" and larger
Length	10.19" (259mm) 11.00" (279mm)	5.00" (127mm)	7.07" (179mm)	7.74" (196mm)	9.61" (244mm)
Diameter	2.00" (51mm) 3.00" (76mm)	1.125" (28.5mm)	1.125" (28.5mm)	1.74" (44mm)	1.74" (44mm)
Pressure	2,500 PSI (172 bar)	2,500 PSI (172 bar)*	2,500 PSI (172 bar)*	2,500 PSI (172 bar)*	2,500 PSI (172 bar)*
Range (Alkaline)	45' (13.7m)	37' (11.3m)	49' (14.9m)	62' (18.9m)	67' (20.5m)
Range (Lithium)	65' (19.8m)	42' (12.8m)	56' 17.1m)	75' (22.98m)	83' (25.3m)
Run Time (Pulse)	500 hrs	500 hrs	500 hrs	1,000 hrs	1,000 hrs
Run Time (Constant)	125 hrs	188 hrs	188 hrs	288 hrs	288 hrs
Available in ATEX	No	Coming Soon	Coming Soon	Yes	Yes
Programmable Patterns	No	Yes	Yes	Yes	Yes
Programmable Frequencies	No	Yes	Yes	Yes	Yes
Pressure Activation Available	Yes	Yes	Yes	Yes	Yes
Battery Cell Count	6 AA	2 AA	3 AA	3 C	4 C

Feature	CD42-T3	X100-4N	X100-5N	X200-2AA	X200-3AA
Recommended Diameters	2" - 8"	6" - 12"	6" - 14"	6" - 24"	8" - 28"
Length	6.3" (160mm)	5.7" (145mm)	6.9" (175mm)	5.0" (127mm)	7.07" (179mm)
Diameter	0.875" (22.2mm)	0.995" (25.3mm)	0.995" (25.3mm)	1.125" (28.5mm)	1.125" (28.5mm)
Pressure	2,500 PSI (172 bar)	2,500 PSI (172 bar)*	2,500 PSI (172 bar)*	2,500 PSI (172 bar)*	2,500 PSI (172 bar)*
Range (Alkaline)	30' (9.1m) *T3 Lithium Only	28' (8.5m)	30' (9.1m)	37' (11.3m)	49' (14.9m)
Range (Lithium)	30' (9.1m) *T3 Lithium Only	28' (8.5m)	30' (9.1m)	42' (12.8m)	56' (17.1m)
Run Time (Pulse)	110 hrs	16 hrs	16 hrs	500 hrs	500 hrs
Run Time (Constant)	N/A	5 hrs	5 hrs	188 hrs	188 hrs
Available in ATEX	No	Coming Soon	Coming Soon	Coming Soon	Coming Soon
Programmable Patterns	No	Yes	Yes	Yes	Yes
Programmable Frequencies	No	Yes	Yes	Yes	Yes
Pressure Activation Available	No	Yes	Yes	Yes	Yes

*Titanium Version to 7,500 PSI (517 bar) available.

Transmitters

Feature	CD42-T4	X100-1N	X100-2N	X100-3N
Recommended Diameters	2" - 8"	2" - 8"	3" - 10"	4" - 12"
Length	3.0" (76mm)	1.96" (50mm)	3.35" (49.7mm)	4.53" (115mm)
Diameter	1.375" (35mm)	0.995" (25.3mm)	0.995" (25.3mm)	0.995" (25.3mm)
Pressure	2,500 PSI (172 bar)*	2,500 PSI (172 bar)*	2,500 PSI (172 bar)*	2,500 PSI (172 bar)*
Range (Alkaline)	23' (7m)	22' (6.7m)	24' (7.3m)	26' (7.9m)
Range (Lithium)	N/A	N/A	N/A	N/A
Run Time (Pulse)	65 hrs	16 hrs	16 hrs	16 hrs
Run Time (Constant)	N/A	5 hrs	5 hrs	5 hrs
Available in ATEX	No	No	Coming Soon	Coming Soon
Programmable Patterns	No	Yes	Yes	Yes
Programmable Frequencies	No	Yes	Yes	Yes
Pressure Activation Available	Yes	Yes	Yes	Yes

Feature	CD42-T2	X300-5C	X400-4D	X400-5D
Recommended Diameters	30" and larger	14" and larger	14" and larger	16" and larger
Length	12.85" (326mm)	11.5" (293mm)	11.5" (291mm)	13.83" (351mm)
Diameter	4.375" (111mm)	1.74" (44mm)	2.5" (63.5mm)	2.5" (63.5mm)
Pressure	2,500 PSI (172 bar)	2,500 PSI (172 bar)*	2,500 PSI (172 bar)*	2,500 PSI (172 bar)*
Range (Alkaline)	92' (28m)	74' (22.6m)	75' (22.9m)	77' (23.5m)
Range (Lithium)	99' (30.2m)	91' (27.7m)	99' (30.2m)	110' (33.5m)
Run Time (Pulse)	375 hrs	1,000 hrs	1,344 hrs	1,344 hrs
Run Time (Constant)	100 hrs	288 hrs	336 hrs	336 hrs
Available in ATEX	No	Yes	Yes	Yes
Programmable Patterns	No	Yes	Yes	Yes
Programmable Frequencies	No	Yes	Yes	Yes
Pressure Activation Available	No	Yes	Yes	Yes

*Titanium Version to 7,500 PSI (517 bar) available.

Delrin Cans

ELECTRONIC TRANSMITTER PROTECTION

Our Delrin Cans feature a threaded cap with hex head and pressure vent. In addition to the pressure vent built into the cap there is a bleed bolt threaded into the cap designed as the primary pressure relief. Delrin Cans come standard with grooves to accommodate various sizes of rings for a secure fit in any size transmitter cavity. OD rings allow the same Delrin/transmitter combination to be quickly and easily modified to fit in a variety of pig and/or cavity sizes.



Size	Part Number
2.0" Assembly	95-2010-20
2.5" Assembly	95-2010-25
3.0" Assembly	95-2010-30
3.5" Assembly	95-2010-35

FOUR STANDARD SIZES TO FIT MOST CDI TRANSMITTERS:

- 2.0" OD fits CD42-T3, X200-2AA, X100-1N, X100-2N.
- 2.5" OD fits CD42-T4, CD42-T0.
- 3.0" OD fits X300-2C, CD42-T1A, X300-3C, X300-4C.
- 3.5" OD fits X400-3D, X400-3D ATEX.

***ID's can be customized upon request to fit all CDI transmitter sizes.*

Features & Benefits:

- Explosive de-compressive O-rings for bleed bolt and cap.
- Threaded base for securing to various pig cavities.
- Hexagonal base of canister body allows the operator to easily secure the canister for cap removal.

Rentals

NOW AVAILABLE TO RENT



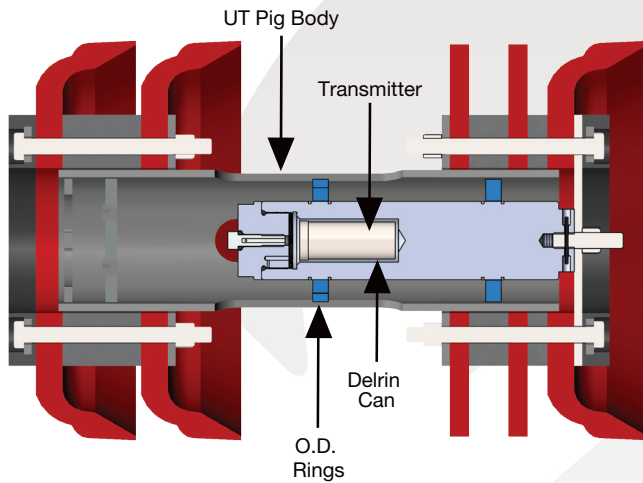
Equipment Available:

- X100-1N Transmitter
- X300-2C Transmitter
- X400-3D Transmitter
- CD42-T0 22Hz Transmitter
- CD42-T1A 22Hz Transmitter
- CD42-T3 22Hz Transmitter
- CD42-T4 22Hz Transmitter
- Swamp Antenna
- TRAXALL 770 Receiver
- TRAXALL 720 with Linestat Receiver
- TRAXALL 620 Receiver
- SoniTrack XLR
- CD52-P Portable Bandit Detector
- Delrin Cans
- Strobe Light

1575 - 90 Ave Edmonton, AB Canada T6P 0E2

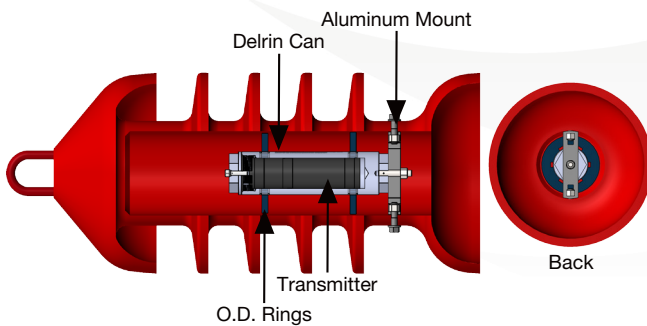
Ph: 780.416.4850 | Fax: 780.416.4829 | apachepipe.com | Email: sales@apachepipe.com

Transmitter Housing



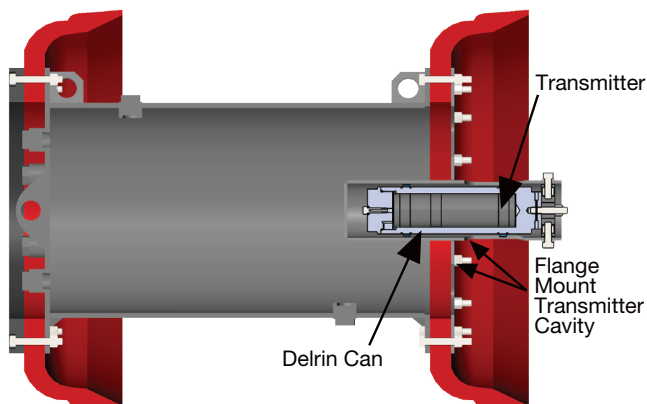
UNIVERSAL TRANSMITTER MANDREL 6" - 14"

The UT Mandrel design allows a transmitter to be housed with or without a Delrin can in the center of the steel body. Engineered slots in the mandrel minimize signal loss and provide improved range.



SOLID CAST HOLLOW CORE URETHANE PIGS 8" - 36"

All hollow core, solid cast, urethane pigs from 8" - 36" can have a transmitter mounted inside the hollow core using Delrin Can, custom sized and slotted O.D. Rings and an Aluminum Mounting plate. Fasteners on the mounting plate include Nyloc type hex nuts which provide self-locking and anti-vibration features.



STEEL MANDREL PIGS 16" - 48"

All steel bodied pigs from 16" - 48" can have a transmitter housed in our steel transmitter cavity assembly, with a Delrin Can, custom sized O.D. Rings and a threaded bolt to hold the Delrin Can in place.