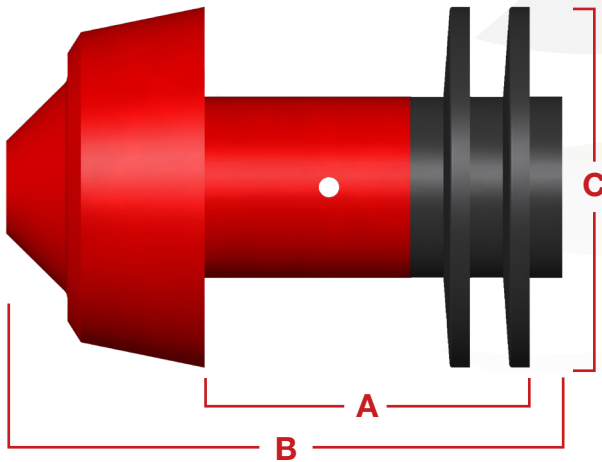


Hurricane FP *(Filming Pig)*

3-12" (76-305mm)

The Hurricane filming and lead pig combination makes for efficient filming system.

The Hurricane Lead Pig (LP) acts as the lead pig of a double-pig train. It carries inhibitor or biocide treatment, allowing minimal by-pass. The inhibitor is contained between the LP and the Hurricane Filming Pig (FP). As the train moves through the line, the FP leaves a film of inhibitor on the pipe wall.



Size	A	B	C	Part #
3"	2.500	4.875	3.375	74-0462-03
4"	3.625	6.250	4.375	74-0462-04
6"	5.375	8.750	6.500	74-0462-06
8"	7.625	11.750	8.500	74-0462-08
10"	9.625	14.125	10.625	74-0462-10
12"	10.125	15.375	12.500	74-0462-12

Designed to negotiate 1.5D or greater bends.

Features & Benefits:

- Lightweight – no metal components.
- Can be launched in most common pigging valves.

Check
out our
videos!

