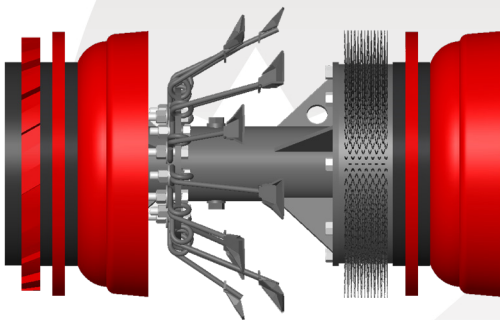


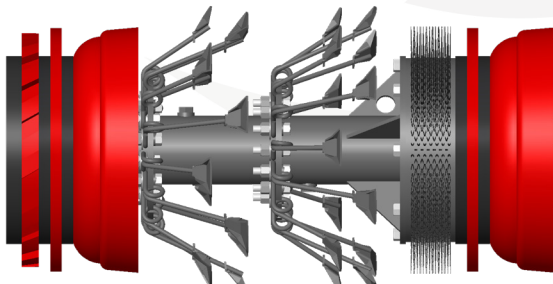
# Knife Pig 3D & 5D

16-48" (406-1219mm)

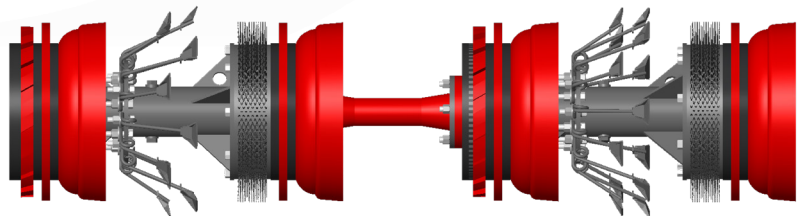
Heavy Duty durable metal/carbide scraping knives provide the ultimate clean. Individually mounted knives distribute force evenly to the pipe wall. 3D tools provide about 70% knife coverage cleaning coverage.



**3D Tool**  
(One Row of Knives, 70% Coverage)



**5D Tool**  
(Two Rows of Knives, 100% Coverage)



**Dual Body**

## Features & Benefits:

- Extremely aggressive cleaning/scraping
- 3D tools provide about 70% knife coverage
- Single row provides 3D bend capabilities
- CARVER discs. See page 5-20 for additional information.
- Radial Brush. See page 5-23 for additional information.

## Options Available:

- Aluminum Gauge Plates in standard styles or slotted styles. See page 6-4 for additional info.
- Magnets to collect metallic debris. See page 6-2 for additional information.
- Transmitter Cavity to accommodate electronic tracking equipment.
- Rattlers. See page 6-5 for additional information
- Knuckle joint to tether two pigs.