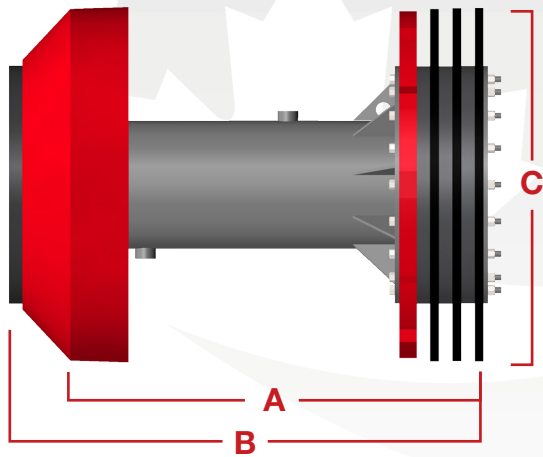


UM-FP *(Filming Pig)*

16-42" (406-1067mm)

The 16-42" UM Filming pig features a hollow front mandrel with two port holes in the center of the mandrel. This allows inhibitor to travel through the hollow front mandrel and two port holes located on either side. Inhibitor becomes trapped between the front conical cup, back three soft filming discs and support disc, leaving a film of inhibitor.

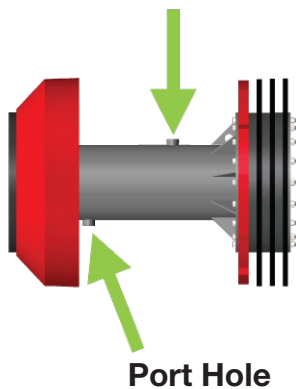


Size	A	B	C	Part #
16"	21.340	24.760	TBD	70-5801-16
20"	25.057	29.260	TBD	70-5801-20
22"	28.491	32.763	TBD	70-5801-22
24"	28.330	33.080	TBD	70-5801-24
30"	34.860	40.390	TBD	70-5801-30
36"	44.386	51.275	TBD	70-5801-36
42"	50.534	58.146	TBD	70-5801-42

*TBD - Determined by the Wall Thickness(es)/ ID of the pipeline.

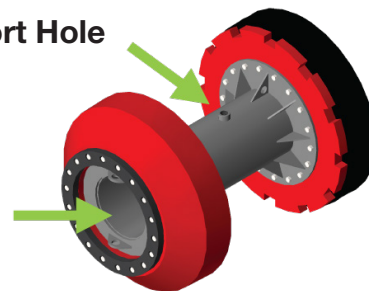
Designed to negotiate 1.5D or greater bends

Port Hole



Port Hole

Hollow Front Cavity



Inhibitor travels through the hollow front mandrel and two port holes located on either side of the mandrel, ultimately leaving a film of protective corrosion inhibitor on the pipe wall.

