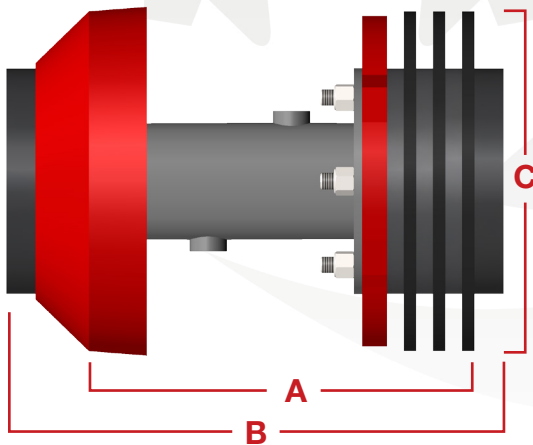


# UT-FP *(Filming Pig)*

## 8-14" (203-356mm)

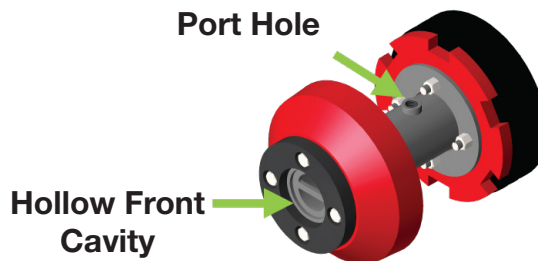
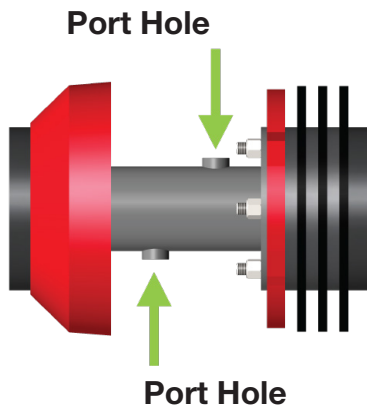
The UT-FP filming pig was designed to apply a film of inhibitor with 360-degree coverage on the interior pipe wall. The UT-FP features a hollow front mandrel with two port holes located on either side. The inhibitor becomes trapped between the front conical cup and the back three soft filming discs and support disc, leaving a film of inhibitor.



Size	A	B	C	Part #
8"	11.400	13.510	TBD	70-5801-08
10"	14.060	14.940	TBD	70-5801-10
12"	15.100	17.820	TBD	70-5801-12
14"	17.230	20.070	TBD	70-5801-14

\*TBD - Determined by the Wall Thickness(es)/ ID of the pipeline.

Designed to negotiate 1.5D or greater bends



Inhibitor travels through the hollow front mandrel and two port holes located on either side of the mandrel, ultimately leaving a film of protective corrosion inhibitor on the pipe wall.

Check out our videos!

