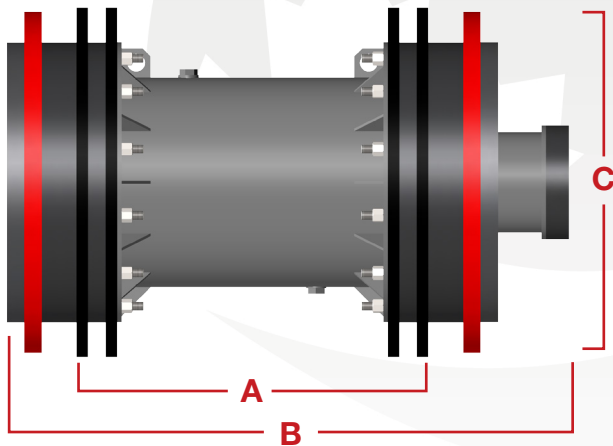


MDK

16-48" (406-1219mm)

The rugged MDK pig features an inner and outer mandrel. The inner mandrel withstands the battering inflicted during the construction and hydrotest process, leaving the exterior disc carrying mandrel untouched. The four sealing, two guide discs form a quadruple seal that virtually eliminates any product bypass. The MDK is a pig preferred by mainline contractors.



Size	A	B	C	Part #
16"	15.000	28.250	16.000	70-7776-16
20"	19.000	34.750	20.000	70-7776-20
24"	23.000	38.500	24.000	70-7776-24
30"	30.250	48.375	30.000	70-7776-30
36"	35.000	52.500	36.000	70-7776-36
42"	41.500	65.625	41.125	70-7776-42
48"	49.500	76.625	49.000	70-7776-48

Designed to negotiate 1.5D or greater bends

*Please note - all MDK pigs/components are on a metric bolt pattern.

Features & Benefits:

- Equipped four sealing and two guide discs. Made from Reliathane, Apache's special blend of wear-resistant polyurethane.
- Every MDK 16" – 48" pig is manufactured with by-pass ports. These ports feature threaded plugs that can be removed.
- Standard bumper noses cushion the pig and help to protect in-line auxiliary equipment.

Options Available:

- CARVER discs. See page 5-20 for additional information.
- Aluminum Gauge Plates in standard styles or slotted styles. See page 6-4 for additional information.
- Radial and Block Brush options available. See pages 5-23 to 5-26 for additional information.
- Magnets to collect metallic debris. See page 6-2 for additional information.
- Transmitter Cavity to accommodate electronic tracking equipment. See page 6-5 for additional information.
- Rattlers. See page 6-5 for additional information