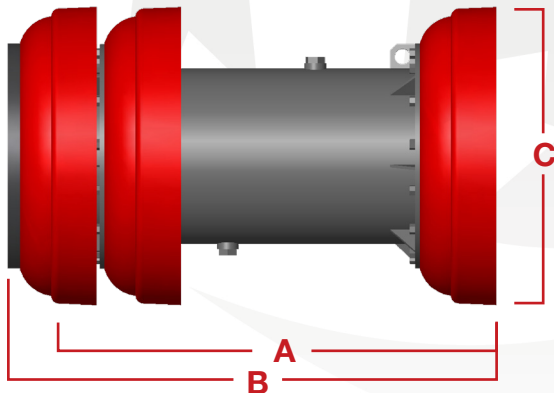


## UC3

16-48" (406-1219mm)

The UC3 is typically used in light cleaning during the construction phase. However, it can be used in all phases of pipeline cleaning. The UC3 is equipped with three Series C cups specifically designed to perform efficiently and reliably.



Size	A	B	C	Part #
16"	24.250	27.250	16.000	70-3803-16
18"	25.875	29.000	17.875	70-3803-18
20"	28.875	32.375	19.875	70-3803-20
22"	31.625	35.375	21.875	70-3803-22
24"	34.500	38.000	23.875	70-3803-24
26"	37.125	41.375	25.875	70-3803-26
28"	40.000	44.375	28.000	70-3803-28
30"	43.000	47.625	29.875	70-3803-30
32"	45.250	50.000	32.000	70-3803-32
34"	47.500	52.125	34.000	70-3803-34
36"	49.625	54.750	36.000	70-3803-36
42"	57.000	62.375	42.125	70-3803-42
48"	62.250	68.125	47.750	70-3803-48

Designed to negotiate 1.5D and greater bends.

### Features & Benefits:

- Equipped with Series C cups made from Reliathane, Apache's special blend of wear-resistant polyurethane.
- Large wearing surface of the cup promotes longer life while the edge holds firmly against the pipe wall.
- Every UC 16" – 48" pig is manufactured with by-pass ports. These ports feature threaded plugs that can be removed.
- Standard bumper noses cushion the pig and help to protect in-line auxiliary equipment.

### Options Available:

- CARVER discs. See page 5-20 for additional information.
- Aluminum Gauge Plates in standard styles or slotted styles. See page 6-4 for additional information.
- Radial and Block Brush options available. See pages 5-23 to 5-26 for additional information.
- Magnets to collect metallic debris. See page 6-2 for additional information.
- Transmitter Cavity to accommodate electronic tracking equipment. See page 6-5 for additional information.
- Rattlers. See page 6-5 for additional information.