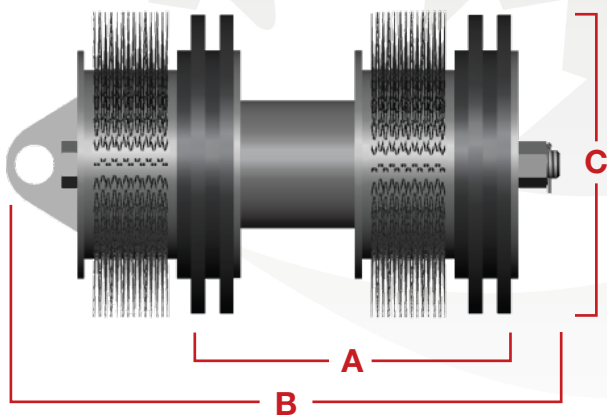


EDR

6-14" (152-356mm)

The EDR is equipped with sturdy circular flange brushes that forcefully scrub away residue and debris. The EDR provides a moderate cleaning before pipeline testing leaving it ready for assessment. The EDR is also functions as a bidirectional pig.



Size	A	B	C	Part #
6"	7.750	14.205	6.375	60-7150-06
8"	9.875	17.205	8.375	60-7150-08
10"	13.370	21.210	10.500	60-7150-10
12"	14.120	22.710	12.500	60-7150-12
14"	18.375	27.455	13.875	60-7150-14

Designed to negotiate 3D or greater bends.

Features & Benefits:

- Bidirectional without compromising sealing capabilities.
- Equipped with four sealing discs, made from Reliathane, Apache's special blend of wear-resistant polyurethane.
- Equipped with radial flange brushes for additional cleaning power.

Options Available:

- CARVER discs. See page 5-20 for additional information.
- Aluminum Gauge Plates in standard or slotted styles. See page 6-4 for additional information.
- Radial Brush options available. See page 5-23 for additional information.
- Magnets to collect metallic debris. See page 6-2 for additional information.