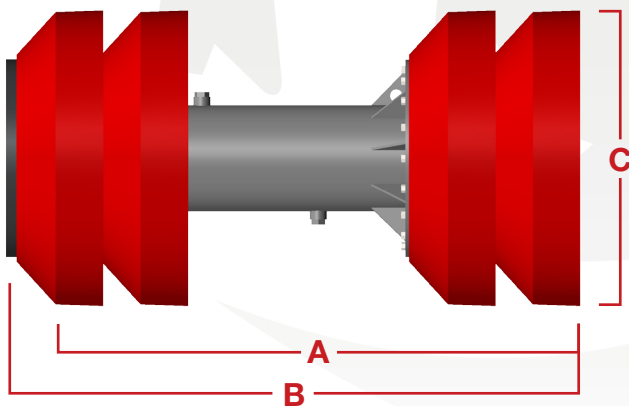


UM4

16-48" (406-1219mm)

The four-cup design of the UM4 provides a positive seal between fluids for efficient batching. The UM4 is also capable of providing a light clean to the interior pipe wall.



Size	A	B	C	Part #
16"	29.033	32.078	15.875	70-5804-16
20"	37.727	41.341	20.000	70-5804-20
22"	42.456	46.353	22.000	70-5804-22
24"	43.427	47.807	24.000	70-5804-24
30"	54.225	59.384	29.875	70-5804-30
36"	66.582	73.096	36.000	70-5804-36
42"	78.451	85.688	42.000	70-5804-42
48"	88.875	97.214	48.000	70-5804-48

Designed to negotiate 3D or greater bends.

Features & Benefits:

- Equipped with four Apache Series M cups made from Reliathane, Apache's special blend of wear-resistant polyurethane.
- The Conical M cup can traverse pipeline anomalies of up to 20% without damaging inline auxiliary equipment.
- Every UM 16" – 48" pig is manufactured with by-pass ports. These ports feature threaded plugs that can be removed.
- Standard bumper noses cushion the pig and help to protect in-line auxiliary equipment.

Options Available:

- CARVER discs. See page 5-20 for additional information.
- Aluminum Gauge Plates in standard styles or slotted styles. See page 6-4 for additional information.
- Radial and Block Brush options available. See pages 5-23 to 5-26 for additional information.
- Magnets to collect metallic debris. See page 6-2 for additional information.
- Transmitter Cavity to accommodate electronic tracking equipment. See page 6-5 for additional information.
- Rattlers. See page 6-5 for additional information.