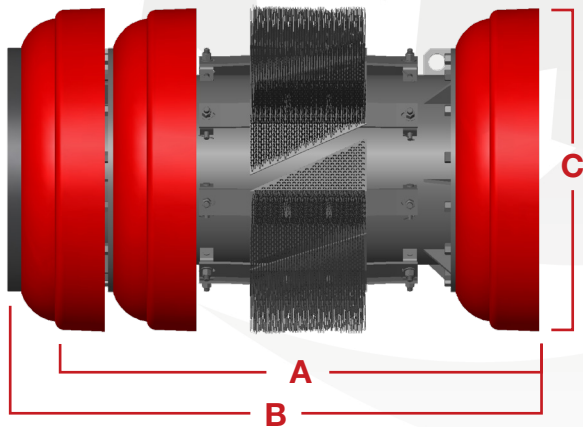


UC3X

16-48" (406-1219mm)

The UC3X performs aggressively as it is equipped with block brushes to clean and scrape pipelines. The three-cup design of the UC3X provides a basic level of clean while the brushes assist in ensuring the removal of rust, scale and other contaminants adhering to the pipe wall.



Size	A	B	C	Part #
16"	24.305	27.268	16.000	60-3523-16
18"	25.846	29.022	17.875	60-3523-18
20"	30.934	34.390	19.875	60-3523-20
22"	31.638	35.400	21.875	60-3523-22
24"	34.490	38.204	23.875	60-3523-24
26"	37.151	41.369	25.875	60-3523-26
28"	40.008	44.656	29.875	60-3523-28
30"	43.008	47.656	29.875	60-3523-30
32"	45.250	49.940	32.000	60-3523-32
34"	47.540	52.110	34.000	60-3523-34
36"	49.648	54.764	36.000	60-3523-36
42"	57.070	62.419	42.188	60-3523-42
48"	62.248	68.180	47.750	60-3523-48

Designed to negotiate 3D or greater bends.

Features & Benefits:

- Equipped with Series C cups made from Reliathane, Apache's special blend of wear-resistant polyurethane.
- Large wearing surface of the cup promotes longer life while the edge holds firmly against the pipe wall.
- Every UC 16" – 48" pig is manufactured with by-pass ports. These ports feature threaded plugs that can be removed.
- Standard bumper noses cushion the pig and help to protect in-line auxiliary equipment.

Options Available:

- CARVER discs. See page 5-20 for additional information.
- Aluminum Gauge Plates in standard styles or slotted styles. See page 6-4 for additional information.
- Radial and Block Brush options available. See pages 5-23 to 5-26 for additional information.
- Magnets to collect metallic debris. See page 6-2 for additional information.
- Transmitter Cavity to accommodate electronic tracking equipment. See page 6-5 for additional information.
- Urethane Plow Blades. Designed to replace XB Brush. See page 5-21.