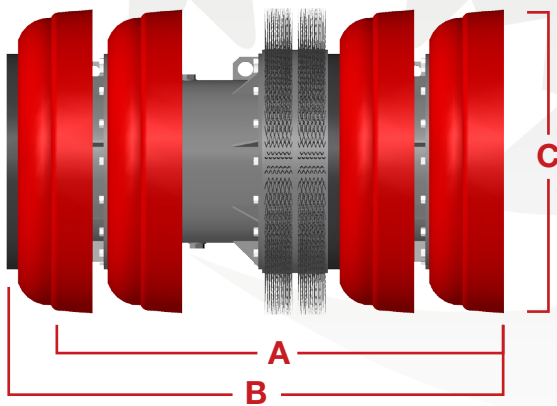


## DC4R

16-48" (406-1219mm)

The DC4R provides efficient cleaning capability. The DC4R features four Series C cups and two circular brushes. These multiple sealing components create a positive seal, while providing a bigger surface area resulting in improved cleaning ability.



Size	A	B	C	Part #
16"	32.750	35.750	16.000	60-3084-16
18"	33.500	36.625	17.875	60-3084-18
20"	35.375	38.750	19.875	60-3084-20
22"	36.500	40.375	21.875	60-3084-22
24"	38.750	42.500	23.875	60-3084-24
26"	38.125	42.375	25.875	60-3084-26
28"	41.750	46.000	28.000	60-3084-28
30"	44.375	49.000	29.875	60-3084-30
32"	47.875	52.500	32.000	60-3084-32
34"	50.500	55.000	34.000	60-3084-34
36"	51.125	56.250	36.000	60-3084-36
42"	59.250	64.625	42.125	60-3084-42
48"	67.500	73.375	47.750	60-3084-48

### Features & Benefits:

Designed to negotiate 5D or greater bends.

- Equipped with Series C cups made from Reliathane, Apache's special blend of wear-resistant polyurethane.
- Large wearing surface of the cup promotes longer life while the edge holds firmly against the pipe wall.
- Equipped with circular brushes.
- Every DC4R 16" – 48" pig is manufactured with by-pass ports. These ports feature threaded plugs that can be removed.
- Standard bumper noses cushion the pig and help to protect in-line auxiliary equipment.

### Options Available:

- CARVER discs. See page 5-20 for additional information.
- Aluminum Gauge Plates in standard styles or slotted styles. See page 6-4 for additional information.
- Radial and Block Brush options available. See pages 5-23 to 5-26 for additional information.
- Magnets to collect metallic debris. See page 6-2 for additional information.
- Transmitter Cavity to accommodate electronic tracking equipment. See page 6-5 for additional information.
- Rattlers. See page 6-5 for additional information.