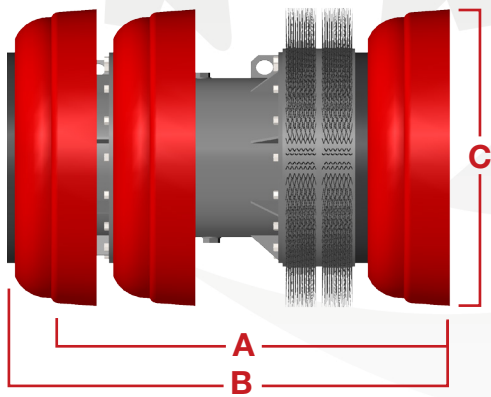


DC3R

16-48" (406-1219mm)

The DC3R provides efficient cleaning capability. The DC3R features three Series C cups and two circular brushes. These multiple sealing components create a positive seal, while providing a bigger surface area resulting in improved cleaning ability.



Size	A	B	C	Part #
16"	20.750	23.750	16.000	60-3083-16
18"	21.125	24.250	17.875	60-3083-18
20"	25.000	28.375	19.875	60-3083-20
22"	26.625	30.375	21.875	60-3083-22
24"	29.000	32.750	23.875	60-3083-24
26"	31.000	35.125	25.875	60-3083-26
28"	34.000	38.250	28.000	60-3083-26
30"	35.500	40.125	29.875	60-3083-30
32"	39.000	43.750	32.000	60-3083-32
34"	41.500	46.125	34.000	60-3083-34
36"	42.125	47.250	36.000	60-3083-36
42"	49.625	55.000	42.125	60-3083-42
48"	56.750	62.625	47.750	60-3083-48

Features & Benefits:

Designed to negotiate 3D or greater bends.

- Equipped with Series C cups made from Reliathane, Apache's special blend of wear-resistant polyurethane.
- Large wearing surface of the cup promotes longer life while the edge holds firmly against the pipe wall.
- Equipped with circular brushes.
- Every DC3R 16" – 48" pig is manufactured with by-pass ports. These ports feature threaded plugs that can be removed.
- Standard bumper noses cushion the pig and help to protect in-line auxiliary equipment.

Options Available:

- CARVER discs. See page 5-20 for additional information.
- Aluminum Gauge Plates in standard styles or slotted styles. See page 6-4 for additional information.
- Radial and Block Brush options available. See pages 5-23 to 5-26 for additional information.
- Magnets to collect metallic debris. See page 6-2 for additional information.
- Transmitter Cavity to accommodate electronic tracking equipment. See page 6-5 for additional information.
- Rattlers. See page 6-5 for additional information.